

# 6" Round Downlight



## Features

The 6" downlight shines new light on your bigger jobs. The downlight performs perfectly in large retail and commercial spaces. Designed for higher ceilings, this downlight features high output, various beam options, and an optional commercial grade lens. New construction or remodeler options.

## Product Overview

Type:	Recessed Round Downlight
Wattage:	38
Lumen Output:	3,358 lm; 91.4 lm/W (WF optio)
Color Temp:	3000K, 3500K
CRI:	90+ typ. (3000K, 3500K)
Dimming:	0-10V (120V/277V) - 1% Dim

PROJECT:

TYPE:

## Fixture Type

Round	New Construction	Remodeler	Trim
Yes	Yes	Yes	Yes

## Performance Chart

Watts	Delivered Lumens	LPW	Color Temp
38	3,117	82	3000K-90+

## Electrical Data

	38W	
	System Watts	Amps
120V	38	0.32
277V	38	0.14

Electronic constant current LED driver



# 6" Round Downlight



## PROJECT:

## TYPE:

### Housing/Frame Ordering Information

1	2	3	4	5
<b>1</b> <u>Model</u> For New Construction <b>R6-NC-A17+</b> (New Construction)  For Existing Ceilings <b>R6-REM-A17+</b> (Remodeler)			<b>4</b> <u>Driver</u> <b>0-10V</b> - 0-10V dimming; 1% dim (Note: For non-dimming applications cap off the 0-10V leads)	
<b>2</b> <u>Wattage</u> 38				
<b>3</b> <u>Voltage</u> 120/277				

### Trim Ordering Information

RD6-A17	SDW		
1	2	3	4
<b>1</b> <u>Model</u> <b>RD6-A17+</b>			<b>4</b> <u>Color Temp</u> <b>309</b> - 3000K-90+ <b>359</b> - 3500K-90+
<b>2</b> <u>Finish</u> <b>SDW</b> - semi-diffuse with molded white trim ring			
<b>3</b> <u>Beam Spreads</u> <b>FL</b> - flood, 35° <b>WF</b> - wide flood, 50° <b>VWF</b> - very wide flood, 60°			

† The "A" refers to the sequential revision in a year and "XX" refers to the year of update. Updates coincide with improved performance while not changing the overall fixture aesthetic and are reflected in the published performance data. Please contact your Amerlux representative for explanations of changes.

# 6" Round Downlight



## PROJECT:

## TYPE:

### Specifications

#### Application

Retail, commercial and hospitality ambient lighting

#### Finish (Trim)

Molded white trim ring

#### Construction

20 ga. galvanized steel frame  
18 ga. galvanized steel splice housing and hanger brackets  
(not for Remodeler version)  
Passive cooling  
Extruded aluminum heat sink

#### Mounting

For use in T-grid or sheetrock ceilings (max 1-1/4" ceiling thickness)  
Adjustable hanger bars included (14 1/2" - 25" std.)  
*(32"-48" Adjustable hanger bars available, consult factory)*

#### Optical

Spun aluminum semi-diffuse aperture cone  
Spun aluminum upper reflector  
35°, 50° & 60° optic options

#### Certifications

UL listed  
Damp location

#### LED

Color Temp Options:  
3000K, 3500K  
CRI: 90+ typ.  
R9 Values: 55 (92 CRI)  
Binning: 3 MacAdam (SDCM)  
Life: 50,000+ hrs, > 70% of initial lumens at 50,000 hrs

#### Warranty

5 year limited warranty

#### Electrical

Wattage: 38  
Electronic constant current LED driver, 120V or 277V input

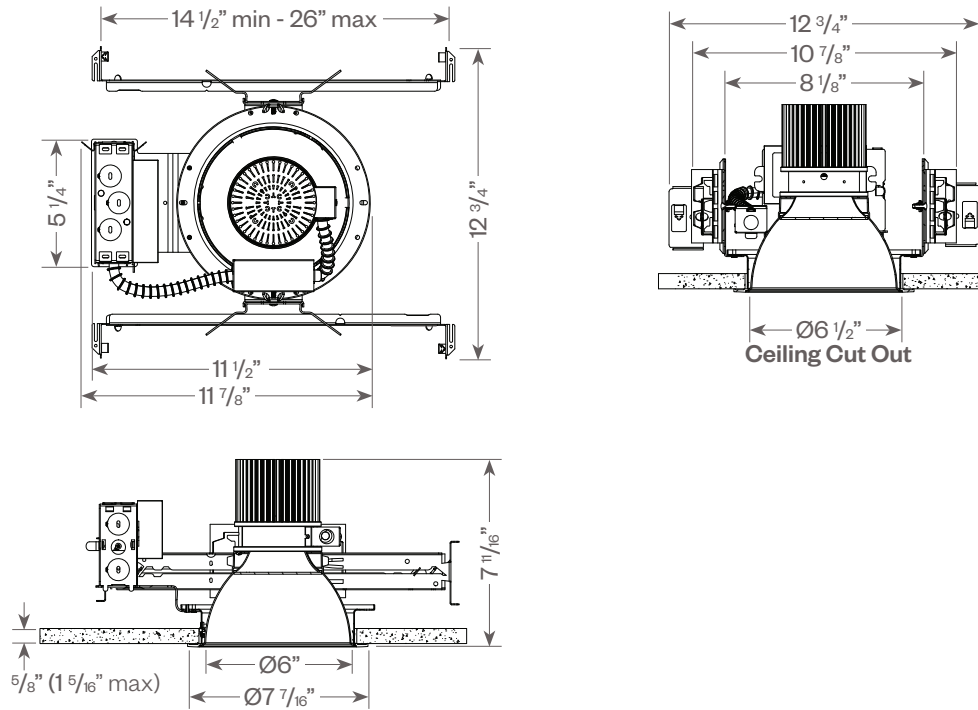
**This product complies with IEEE C62.41 for surge endurance up to 2.5KV. Amerlux® recommends using additional surge protection with this unit (supplied by others), surge and over voltage damage is not covered under warranty.**

# 6" Round Downlight

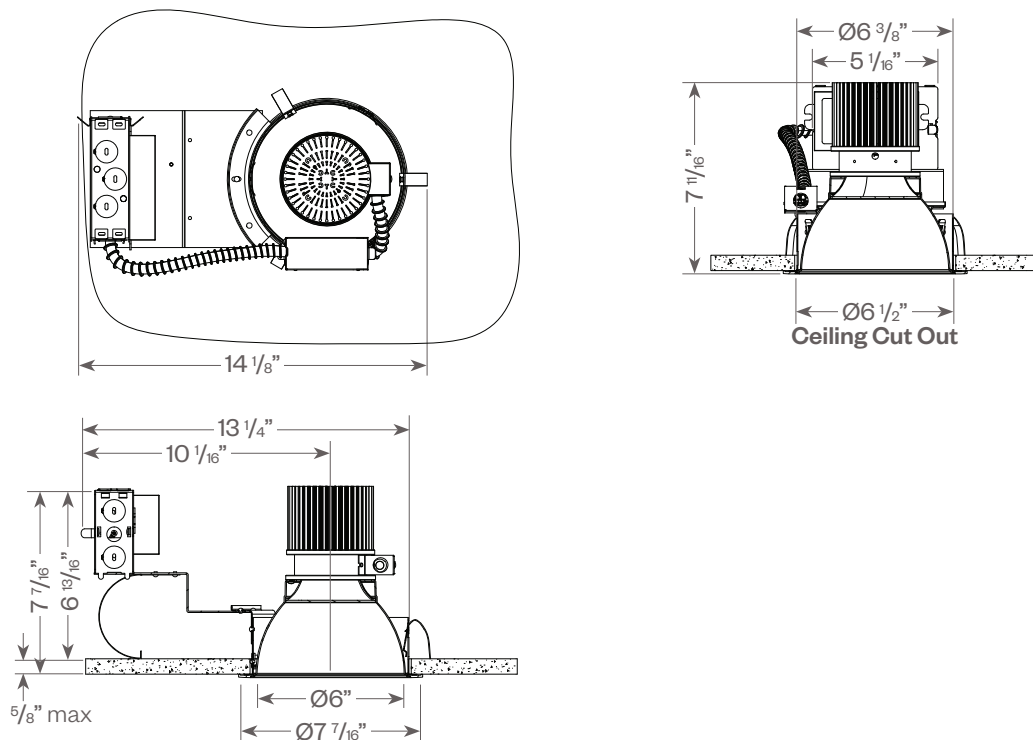
PROJECT:

TYPE:

## New Construction



## Remodeler



# 6" Round Downlight



**PROJECT:**

**TYPE:**

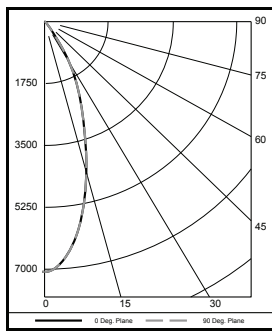
**FIXTURE DATA:** (Complete photometric data (.ies format) available upon request)

**MULTIPLYING FACTORS:** (Multiplying Factor is based on 3000K-83 120V IES file on website)

CCT:	3000K-90+	3500K-90+
Factor:	1.0	1.05

**38 LED, 3000K-90+**

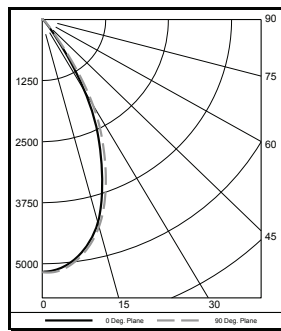
**Flood (FL), 35°**  
Lumens: 3,356; 91.6 lm/W  
LTL# 12250125.01



**Candelas at Nadir**

Deg	Candela
0	7075
5	6670
15	4403
25	2209
35	572
45	116

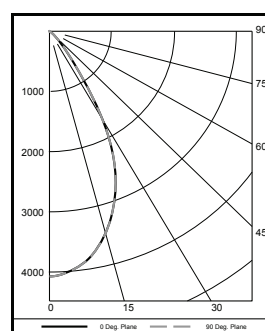
**Wide Flood (WF), 50°**  
Lumens: 3,358; 91.4 lm/W  
LTL# 12236626.01A



**Candelas at Nadir**

Deg	Candela
0	5173
5	5052
15	4152
25	2528
35	661
45	130

**Very Wide Flood (VWF), 60°**  
Lumens: 3,242; 88.4 lm/W  
LTL# 12250125.02

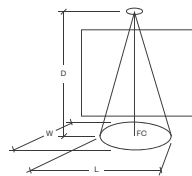


**Candelas at Nadir**

Deg	Candela
0	4072
5	3992
15	3481
25	2500
35	868
45	183

**Application Data:**

		0° Aiming Angle Horizontal Footcandles			
		D	FC	L	W
Flood	5.0'	284	3.1	3.1	
	7.5'	126	4.5	4.5	
	10.0'	71	5.9	5.9	
	12.5'	46	7.5	7.5	
Wide Flood	5.0'	208	3.9	3.9	
	7.5'	93	5.8	5.8	
	10.0'	52	7.7	7.7	
	12.5'	34	9.7	9.7	
Very Wide Flood	5.0'	164	4.4	4.4	
	7.5'	73	6.6	6.6	
	10.0'	41	8.8	8.8	
	12.5'	27	11.1	11.1	



**Notes and Definitions:**

- Beam spread is to 50% center beam candlepower (CBCP).
- D=Distance to floor or wall.
- FC=Footcandles on floor or wall at center beam aiming location.
- L=Effective Visual Beam length in feet (50% of maximum footcandle level).
- W=Effective Visual Beam width in feet (50% of maximum footcandle level).
- CB=Distance across or down to center beam location.

# 6" Round Downlight

**PROJECT:**

**TYPE:**

**DIMMING COMPATIBILITY:**

Amerlux® 6" Round Downlight fixtures are compatible with all major dimming protocols prevalent in the United States. Please see below for general compatibilities and wiring diagrams. Amerlux recommends testing your unique dimming configuration as the exact full configuration (Dimmer, Fixture Quantity, Voltage, etc) may affect dimming performance.

**--- NOTE: INFORMATION BELOW IS FOR WIRED DIMMERS ONLY. FOR WIRELESS DIMMERS, CONSULT FACTORY ---**

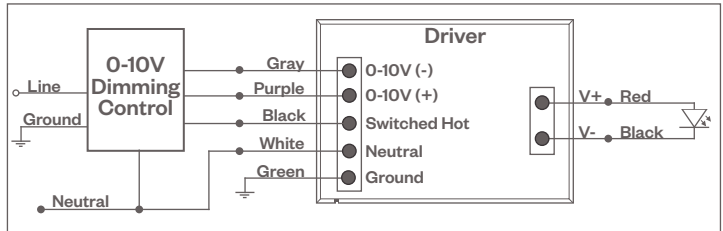
**0-10V - DIMMING (-0-10V Option)**

Integrates into a variety of building management and daylighting controls

**Notes:**

- 120V or 277V\*
- Dims down to 1% light output
- Requires interface to turn off power to driver
- Consult Dimming manufacturer for installation instructions - DO NOT SHARE NEUTRALS!

**0-10V Wiring Diagram**



**Compatible Dimmers†:**

**Wall Box**

Lutron "Diva" - DTVV with PP-120H Interface

Leviton Renoir II 0-10V

**Central System**

Lutron Grafik Eye with GRX-TVI Interface

**Notes:**

- \* Driver is 277V dimmable with appropriate dimmer (by others). All provided wiring diagrams show 120V wiring colors and method. Please refer to 277V dimmer installation instructions for 277V wiring diagrams.
- † The absence of a dimmer from the lists above does not imply incompatibility. Please consult factory for compatibility inquiries.