

Lunetta

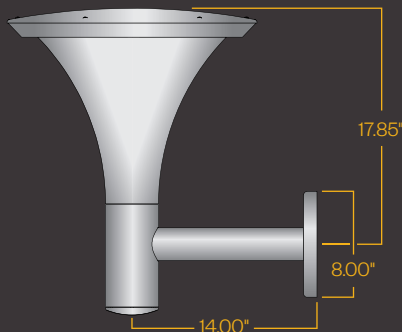
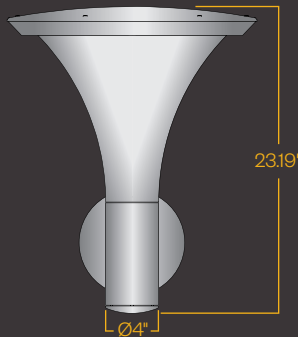
18" LED Pedestrian Wall Mount Luminaire

LUN18-WM / WHT



PROJECT:

TYPE:



Features

A modern bracket design emanates from the wall and follows the Lunetta™ to flare until gracefully reaching the recessed light source running around the perimeter. The LEDs graze light down the face of the flared luminaire and integrated arm creating a comfortable yet efficient lighting element.

Product Overview

Wattage:	35W
Lumen Output:	2,800 lm
Color Temp:	3,000K / 3,500K / 4,000K
Dimming:	0-10v
Diameter	18 inches

Description:

Lighting for exterior retail and hospitality environments, university and corporate campuses, or any outdoor meeting space.

LED Array:

(60) Mid flux SMD LEDs delivering approximately 2,800 lm at 4,000K from a white luminaire. Sealed under polycarbonate optical lens, resistant to UV and thermal shock. It runs at approximately 35W.

LED Driver Module:

- Electronic driver operates at 850mA with 120v-277V AC input
- 0-10v dimming

Materials:

Arm - Machined and extruded aluminum (5052)
Cover - Spun aluminum (3003)
Luminaire - Spun aluminum (3003)

ETL listed, suitable for wet locations.

Finish:

Premium quality thermoset polyester powdercoat for a durable finish.

ANT - Anthracite Gray

SDS - Stardust Silver

WHT - White

Custom _____

Lunetta

18" LED Wall Mount Luminaire



PROJECT:

TYPE:

Ordering Information

LUN18-WM / _____ / _____
1 **2** **3**

1 Model
LUN18-WM - Wall Mount

2 CCT
30 - 3,000K
35 - 3,500K
40 - 4,000K

3 Finish
ANT - Anthracite Gray
SDS - Stardust Silver
WHT - White
Custom _____

Lunetta

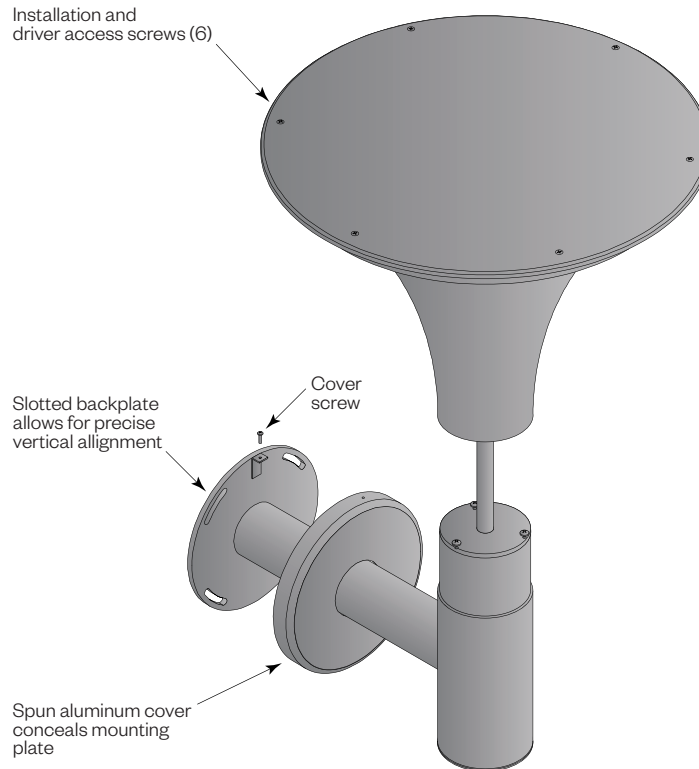
18" LED Wall Mount Luminaire



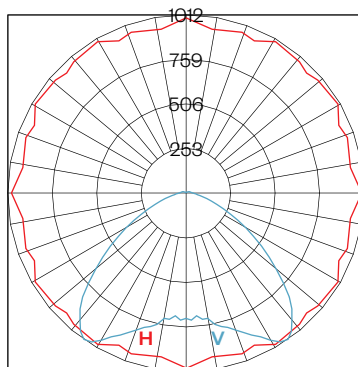
PROJECT:

TYPE:

Assembly View



Performance



Polar Graph
LUN18-WM / 40 / WHT
Maximum Candela = 1012
Located At Horizontal Angle = 60
Vertical Angle = 35
H - Horizontal Axial Candela
V - Vertical Axial Candela
B1-U3-G1