

# Lunetta

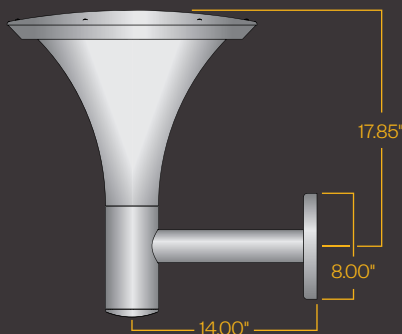
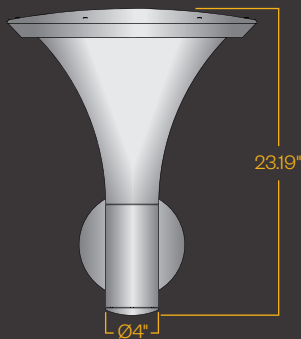
## 18" LED Pedestrian Wall Mount Luminaire

LUN18-WM / WHT



### PROJECT:

### TYPE:



### Features

A modern bracket design emanates from the wall and follows the *Lunetta™* to flare until gracefully reaching the recessed light source running around the perimeter. The LEDs graze light down the face of the flared luminaire and integrated arm creating a comfortable yet efficient lighting element.

### Product Overview

Wattage:	35W
Lumen Output:	2,800 lm
Color Temp:	3,000K / 3,500K / 4,000K
Dimming:	0-10v
Diameter	18 inches

### Description:

Lighting for exterior retail and hospitality environments, university and corporate campuses, or any outdoor meeting space.

### LED Array:

(60) Mid flux SMD LEDs delivering approximately 2,800 lm at 4,000K from a white luminaire. Sealed under polycarbonate optical lens, resistant to UV and thermal shock. It runs at approximately 35W.

### LED Driver Module:

- Electronic driver operates at 850mA with 120v-277V AC input
- 0-10v dimming

### Materials:

Arm - Machined and extruded aluminum (5052)  
Cover - Spun aluminum (3003)  
Luminaire - Spun aluminum (3003)

### ETL listed, suitable for wet locations.

### Finish:

Premium quality thermoset polyester powdercoat for a durable finish.

**ANT** - Anthracite Gray

**SDS** - Stardust Silver

**WHT** - White

Custom \_\_\_\_\_

# Lunetta

18" LED Wall Mount Luminaire



PROJECT:

TYPE:

## Ordering Information

LUN18-WM /            /             
**1**            **2**            **3**

**1** Model  
**LUN18-WM** - Wall Mount

**2** CCT  
**30** - 3,000K  
**35** - 3,500K  
**40** - 4,000K

**3** Finish  
**ANT** - Anthracite Gray  
**SDS** - Stardust Silver  
**WHT** - White  
Custom \_\_\_\_\_

# Lunetta

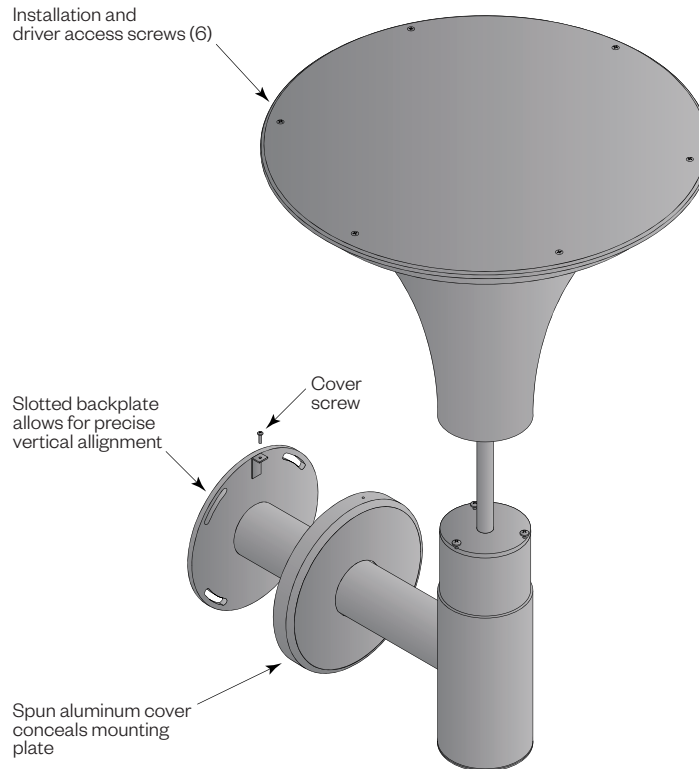
18" LED Wall Mount Luminaire



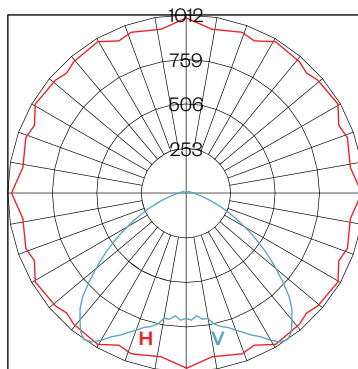
PROJECT:

TYPE:

## Assembly View



## Performance



Polar Graph  
**LUN18-WM / 40 / WHT**  
Maximum Candela = 1012  
Located At Horizontal Angle = 60  
Vertical Angle = 35  
H - Horizontal Axial Candela  
V - Vertical Axial Candela  
**B1-U3-G1**