

Lunetta

18" LED Pedestrian & Area Luminaire

LUN18 / WHT



Features

Conventional exterior lighting, no matter how utilitarian or thoughtful the design, involves a bright luminaire and a dark pole. Lunetta™ breaks from convention by allowing both luminaire and pole to become illuminated as one. A straight round 4" aluminum pole emanates from the ground and begins to flare until gracefully reaching the recessed light source running around the perimeter. The LEDs graze light down the face of the flared luminaire and post creating a comfortable yet efficient lighting element.

Product Overview

Wattage:	35W
Lumen Output:	2,890 lm
Color Temp:	3,000K / 3,500K / 4,000K
Dimming:	0-10v
Max Height:	14 feet
Diameter	18 inches

PROJECT:

TYPE:

Description:

Lighting for exterior retail and hospitality environments, university and corporate campuses, or any outdoor meeting space.

LED Array:

(60) Mid flux SMD LEDs delivering approximately 2,800 lm at 4,000K from a white luminaire. Sealed under polycarbonate optical lens, resistant to UV and thermal shock. It runs at approximately 35W.

LED Driver Module:

- Electronic driver operates at 850mA with 120v-277V AC input
- 0-10v dimming

Materials:

Base - Cast aluminum (356-T6)
 Shaft - Extruded aluminum (6063-T6)
 Anchor Bolts - Hot dipped galvanized steel
 Luminaire - Spun aluminum (3003)

ETL listed, suitable for wet locations.

Finish:

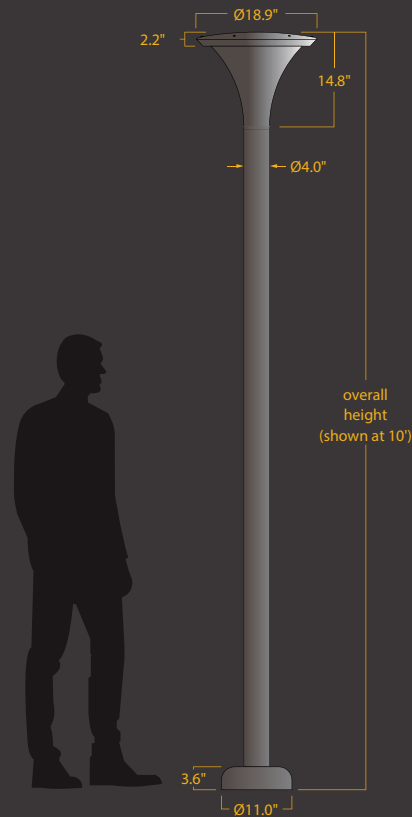
Premium quality thermoset polyester powdercoat for a durable finish.

ANT - Anthracite Gray

SDS - Stardust Silver

WHT - White

Custom _____



Lunetta

18" LED Pedestrian & Area Luminaire



PROJECT:

TYPE:

Ordering Information

LUN18 / _____ / _____
1 **2** **3**

- 1** Model
LUN18-10 - 10'-0"
LUN18-12 - 12'-0"
LUN18-14 - 14'-0"

- 2** CCT
30 - 3,000K
35 - 3,500K
40 - 4,000K

- 3** Finish
ANT - Anthracite Gray
SDS - Stardust Silver
WHT - White
Custom _____

Lunetta

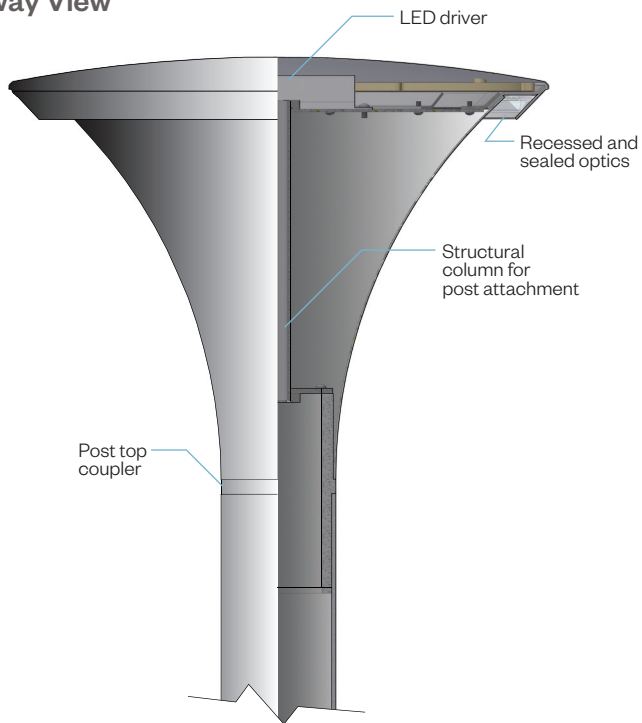
18" LED Pedestrian & Area Luminaire



PROJECT:

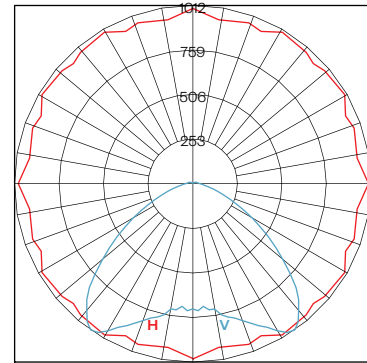
TYPE:

Cutaway View



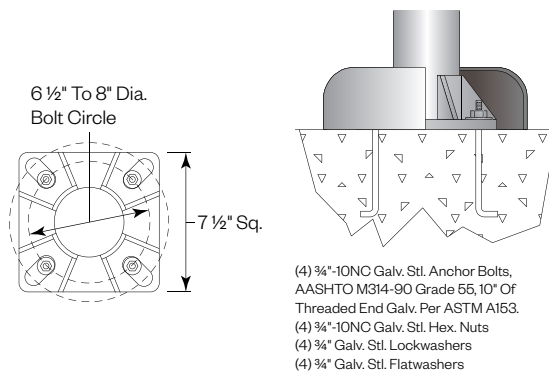
Performance

Polar Graph
LUN18 / 40 / WHT



Maximum Candela = 1012
 Located At Horizontal Angle = 60
 Vertical Angle = 35
 H - Horizontal Axial Candela
 V - Vertical Axial Candela
B1-U3-G1

Anchorage Details



Weights

LUN18	Overall Height	Weight
LUN18-10	10'-0"	34 lbs
LUN18-12	12'-0"	38 lbs
LUN18-14	14'-0"	41 lbs

Luminaire weight is 9lbs