

Lunetta

28" LED Pedestrian & Area Luminaire



Features

Conventional exterior lighting, no matter how utilitarian or thoughtful the design aesthetic, involves a bright luminaire and a dark pole. "Lunetta" breaks from convention by allowing both luminaire and pole to become illuminated as one. A straight round 5" aluminum pole emanates from the ground and begins to flare until gracefully reaching the recessed light source running around the perimeter. The LEDs graze light down the face of the flared luminaire and post creating a comfortable yet efficient lighting element.

Product Overview

Wattage:	60W
Lumen Output:	4,620 lm
Color Temp:	3,000K / 3,500K / 4,000K
Dimming:	0-10v
Max Height:	16 feet
Diameter	28 inches

LUN28/WHT



PROJECT:

TYPE:

Description:

Lighting for exterior retail and hospitality environments, university and corporate campuses, or any outdoor meeting space.

LED Array:

(90) Mid flux SMD LEDs delivering approximately 4,620 lm from a white luminaire at 4,000K. Sealed under polycarbonate optical lens, resistant to UV and thermal shock. It runs at approximately 60W.

LED Driver Module:

- Electronic driver operates at 850mA with 120v-277V AC input
- 0-10v dimming is standard

Materials:

Base - Cast aluminum (356-T6)
Shaft - Extruded aluminum (6063-T6)
Anchor Bolts - Hot dipped galvanized steel
Luminaire - Spun aluminum (3003)

ETL listed, suitable for wet locations.

Finish:

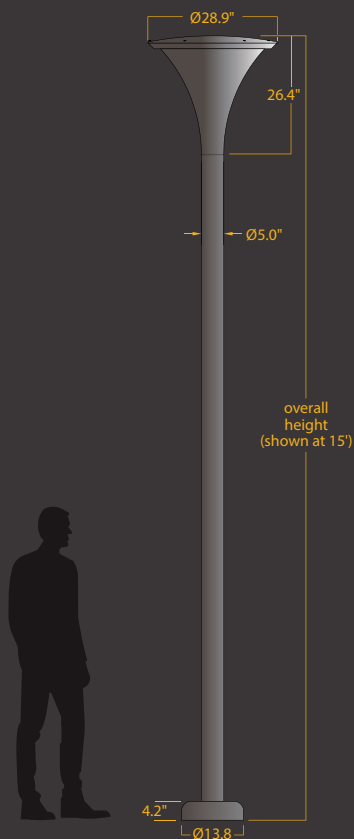
Premium quality thermoset polyester powdercoat for a durable finish.

ANT - Anthracite Gray

SDS - Stardust Silver

WHT - White

Custom _____



Lunetta

28" LED Pedestrian & Area Luminaire



PROJECT:

TYPE:

Ordering Information

LUN28 / /
1 **2** **3**

- 1** Model
LUN28-12 - 12'-0"
LUN28-14 - 14'-0"
LUN28-15 - 15'-0"
LUN28-16 - 16'-0"

- 2** CCT
30 - 3,000K
35 - 3,500K
40 - 4,000K

- 3** Finish
ANT - Anthracite Gray
SDS - Stardust Silver
WHT - White
Custom_____

Lunetta

28" LED Pedestrian & Area Luminaire

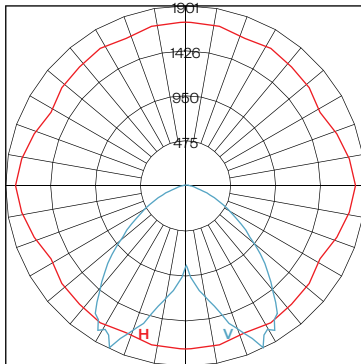


PROJECT:

TYPE:

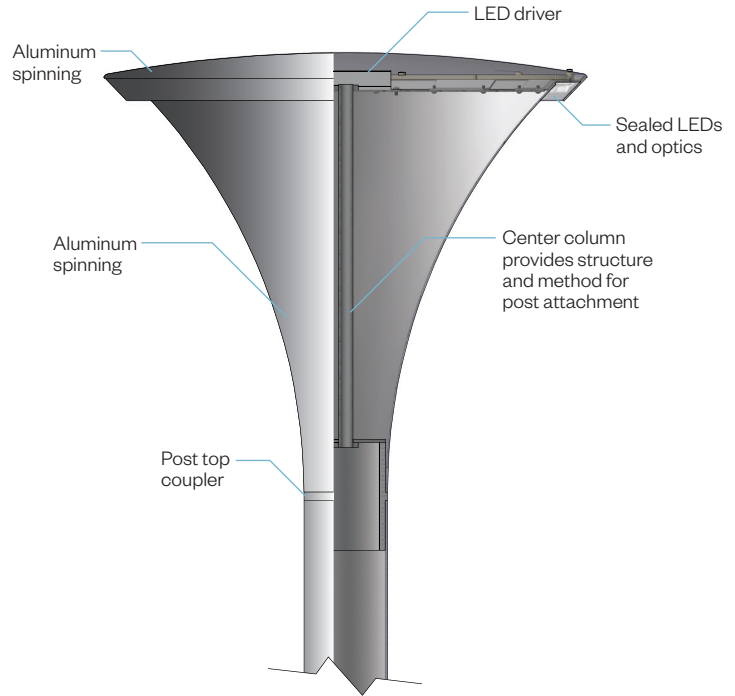
Performance

Polar Graph
LUN28 / 4K / WHT

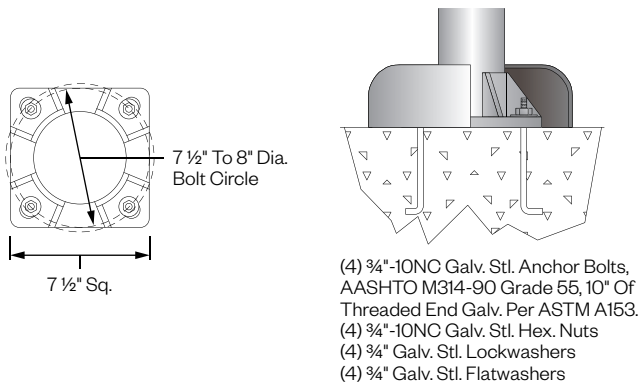


Maximum Candela = 1900.94
 Located At Horizontal Angle = 340
 Vertical Angle = 26
 H - Horizontal Axial Candela
 V - Vertical Axial Candela
B2-U3-G1

Cutaway View



Anchorage Details



- (4) 3/4"-10NC Galv. Stl. Anchor Bolts, AASHTO M314-90 Grade 55, 10" Of Threaded End Galv. Per ASTM A153.
- (4) 3/4"-10NC Galv. Stl. Hex. Nuts
- (4) 3/4" Galv. Stl. Lockwashers
- (4) 3/4" Galv. Stl. Flatwashers

Weights

LUN18	Overall Height	Weight
LUN28-12	12'-0"	55 lbs
LUN28-14	14'-0"	58 lbs
LUN28-15	15'-0"	61 lbs
LUN28-16	16'-0"	63 lbs

Luminaire weight 24lbs