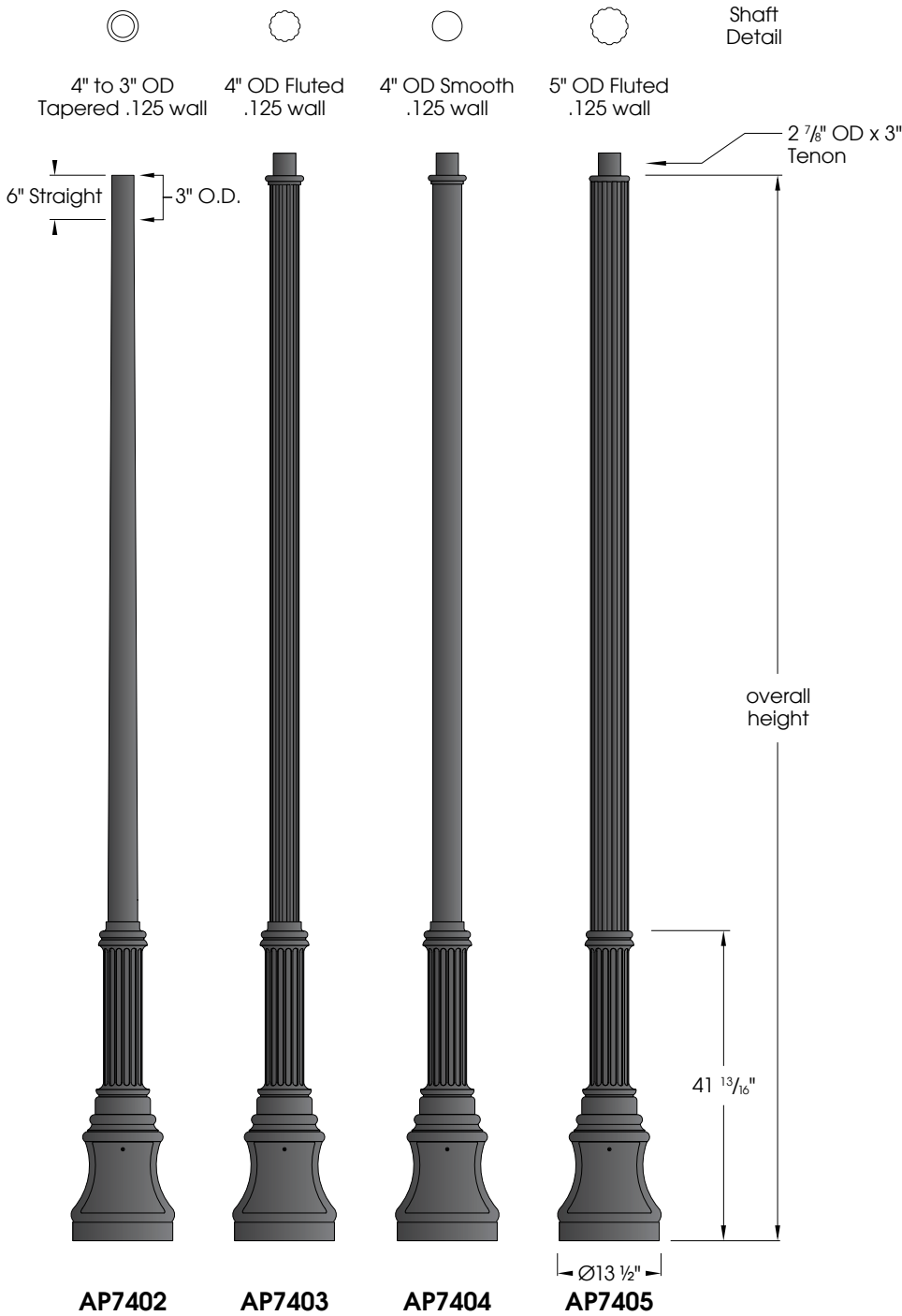


Manhattan Series

U.1.11.16



Features:

13 1/2" diameter fluted cast aluminum base

Choice of extruded shafts

- 4" to 3" OD smooth tapered
- 4" OD fluted (12 flutes) .125 wall
- 4" OD smooth round .125 wall
- 5" OD fluted (12 flutes) .125 wall

Extruded shaft is circumferentially welded to the base

Access door for anchor bolts and wiring is secured with stainless steel screws

Ground lug provided inside base

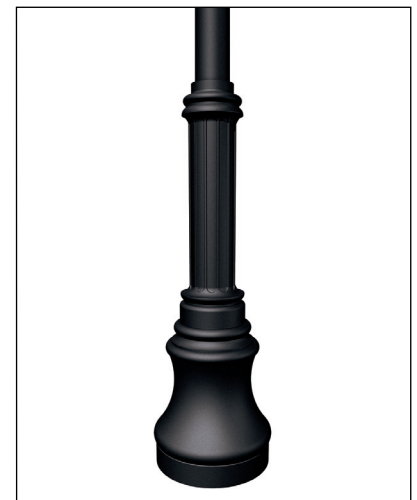
Capable of supporting multiple light brackets

Materials:

Base - Cast aluminum (356-T6)
 Shaft - Extruded Aluminum (6063-T6)
 - Tapered Aluminum (6063-T6)
 Anchor Bolts - Hot dipped galvanized steel

Finish:

Premium quality thermoset polyester powdercoat for a durable finish.

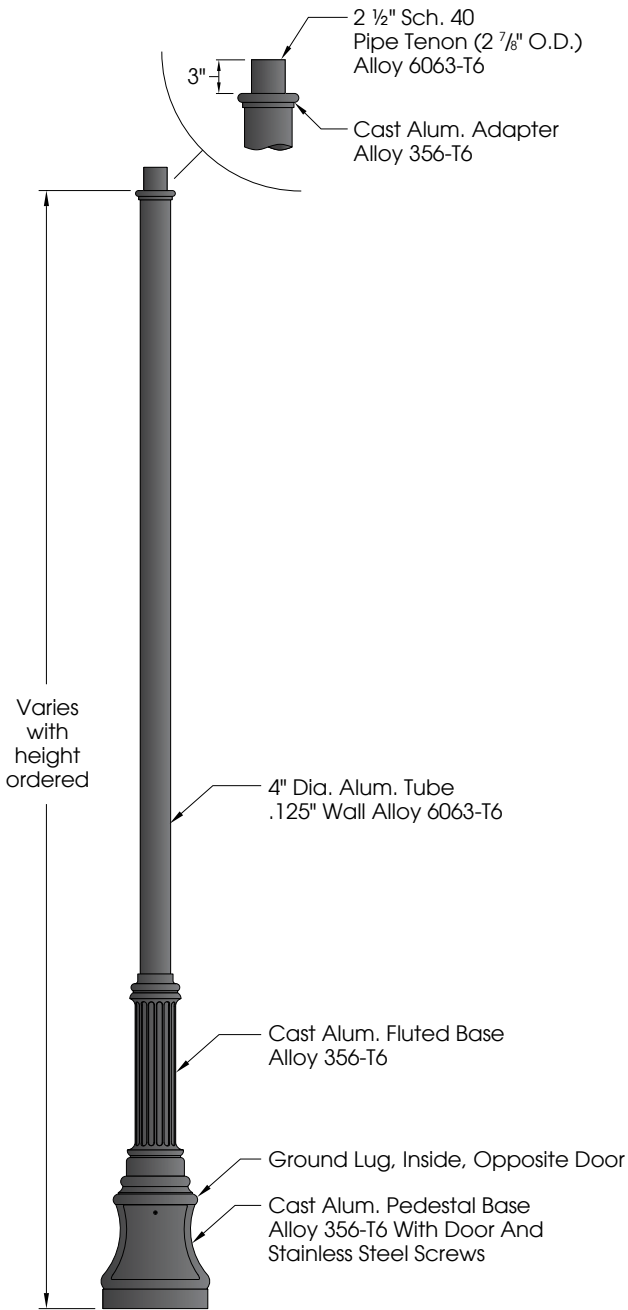


Part String



Example: AP7405-08/BLK

AP7402	AP7403	AP7404	AP7405	Overall Height	Finish	Accessories
AP7402-08	AP7403-08	AP7404-08	AP7405-08	8'-0"	BLK	BA18 BA24 FPH-4 FPH-5 GFCI
AP7402-10	AP7403-10	AP7404-10	AP7405-10	10'-0"	CLB	
AP7402-12	AP7403-12	AP7404-12	AP7405-12	12'-0"	GBZ	
AP7402-14	AP7403-14	AP7404-14	AP7405-14	14'-0"	GRN	
AP7402-16	AP7403-16	AP7404-16	AP7405-16	16'-0"	GTB	
					TBK	
					TGR	

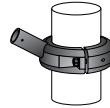


Finish
 The post will be finished with an electrostatically applied thermoset polyester powder coat. Prior to finishing, the parts are thoroughly cleaned. Our powder coat finish is durable, long lasting, attractive and scratch resistant as well as environmentally friendly. We offer 7 stock finishes or hundreds of special order colors including custom matching for existing projects (additional charges apply).

- | | |
|------------------------------------|-----------------------------------|
| BLK - Satin Black | GTB - Gloss Textured Black |
| CLB - Classic Bronze | TBK - Textured Black |
| GBZ - Gloss Textured Bronze | TGR - Gloss Textured Green |
| GRN - Green | |

Accessories See "Accessories" section for more information

Banner Arms
 Single or double sided field rotatable banner arms. **BA18** (18") or **BA24** (24") banner arms **FRC4** (4"OD shaft) or **FRC5** (5"OD shaft)
 Add a (2) for a double arm. Example: **2BA18-FRC4**

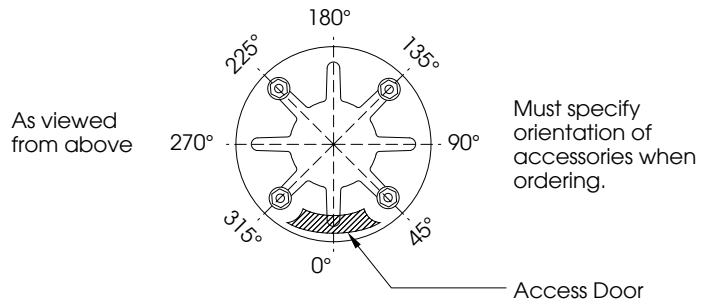


FPH-4
 Extruded aluminum holder for 1" OD flag poles. Available for 4" OD non-tapered pole.

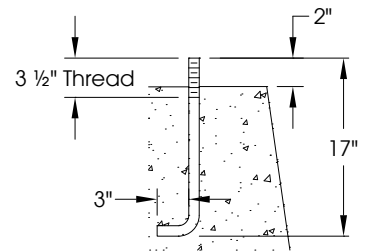
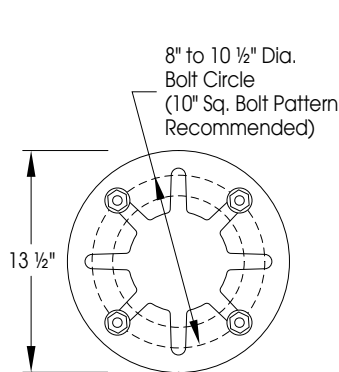


GFCI
 Ground fault circuit protected duplex outlet. Available Recess mounted (GFCI-RM) as shown or surface mount (GFCI-SM).

Accessory Orientation Guide



Anchor Details



- (4) 3/4"-10NC Galv. Stl. Anchor Bolts, AASHTO M314-90 Grade 55, 10" Of Threaded End Galv. Per ASTM A153.
- (4) 3/4"-10NC Galv. Stl. Hex. Nuts
- (4) 3/4" Galv. Stl. Lockwashers
- (4) 3/4" Galv. Stl. Flatwashers

Anchor bolts and templates can be requested prior to product shipment.