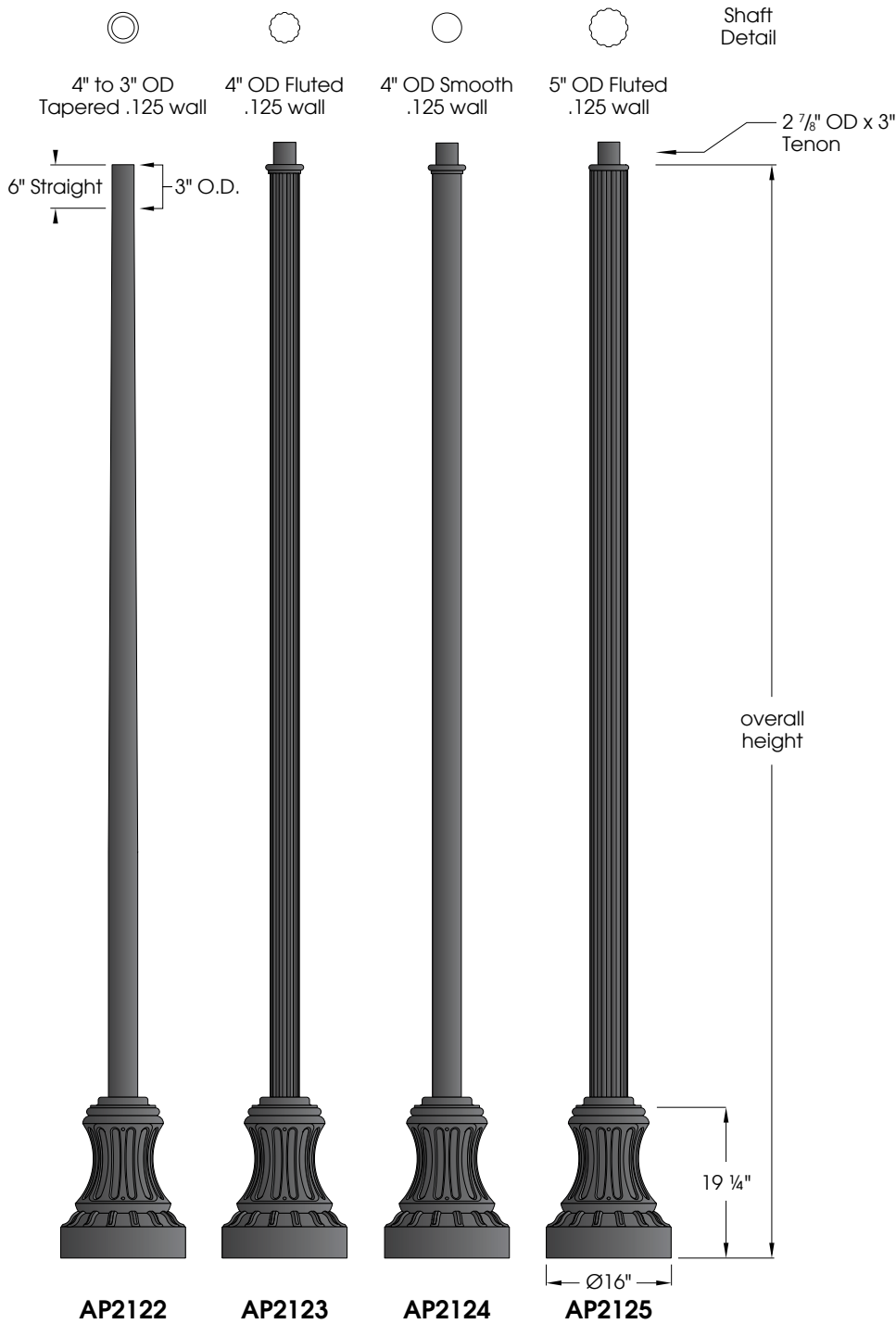


# Mankato Series

U.1.11.16



## Features:

16" diameter fluted cast aluminum base

Choice of extruded shafts

- 4" to 3" OD smooth tapered
- 4" OD fluted (12 flutes .125 wall)
- 4" OD smooth round .125 wall
- 5" OD fluted (12 flutes .125 wall)

Extruded shaft is circumferentially welded to the base

Access door for anchor bolts and wiring is secured with stainless steel screws

Ground lug provided inside base

## Materials:

Base - Cast aluminum (356-T6)

Shaft - Extruded Aluminum (6063-T6)  
- Tapered Aluminum (6063-T6)

Anchor Bolts - Hot dipped galvanized steel

## Finish:

Premium quality thermoset polyester powdercoat for a durable finish.

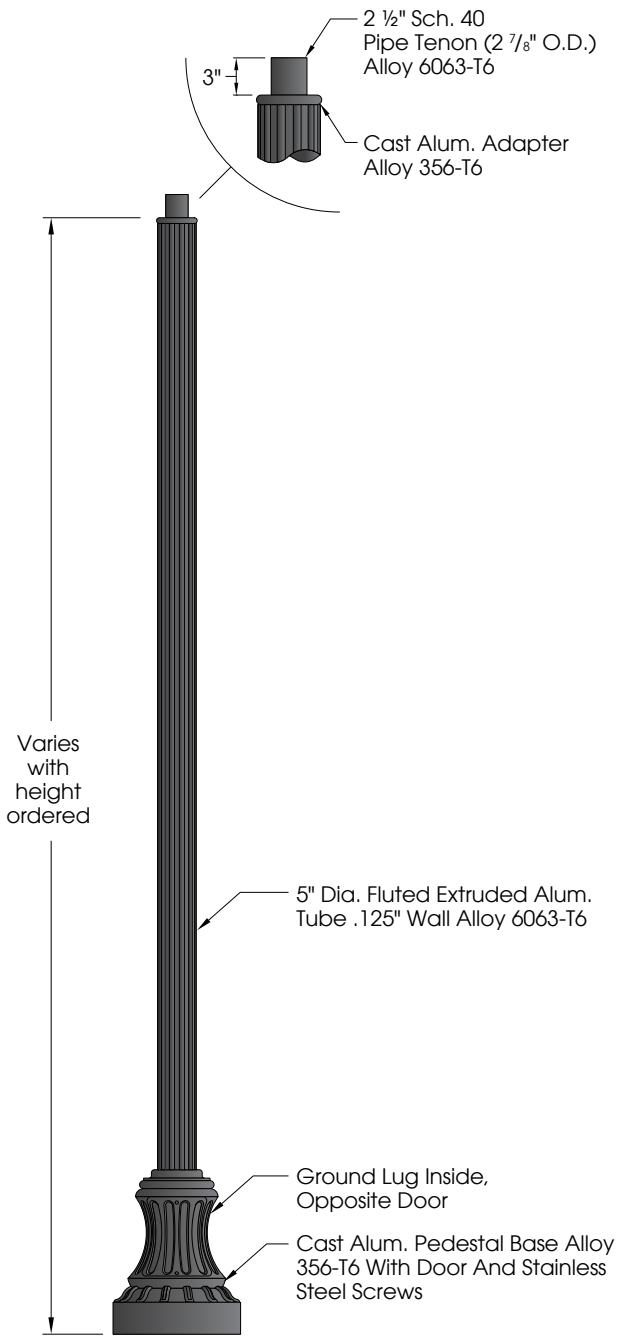


Part String



Example: AP2123-08/BLK

AP2122	AP2123	AP2124	AP2125	Overall Height	Finish	Accessories
AP2122-08	AP2123-08	AP2124-08	AP2125-08	8'-0"	BLK CLB GBZ GRN GTB TBK TGR	BA18 BA24 FPH-4 FPH-5 GFCI
AP2122-10	AP2123-10	AP2124-10	AP2125-10	10'-0"		
AP2122-12	AP2123-12	AP2124-12	AP2125-12	12'-0"		
AP2122-14	AP2123-14	AP2124-14	AP2125-14	14'-0"		
AP2122-16	AP2123-16	AP2124-16	AP2125-16	16'-0"		



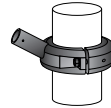
**Finish**  
 The post will be finished with an electrostatically applied thermoset polyester powder coat. Prior to finishing, the parts are thoroughly cleaned. Our powder coat finish is durable, long lasting, attractive and scratch resistant as well as environmentally friendly. We offer 7 stock finishes or hundreds of special order colors including custom matching for existing projects (additional charges apply).

- BLK** - Satin Black
- CLB** - Classic Bronze
- GBZ** - Gloss Textured Bronze
- GRN** - Green
- GTB** - Gloss Textured Black
- TBK** - Textured Black
- TGR** - Gloss Textured Green

**Accessories** See "Accessories" section for more information



**Banner Arms**  
 Single or double sided field rotatable banner arms. **BA18** (18") or **BA24** (24") banner arms **FRC4** (4"OD shaft) or **FRC5** (5"OD shaft) Add a (2) for a double arm. Example: **2BA18-FRC4**

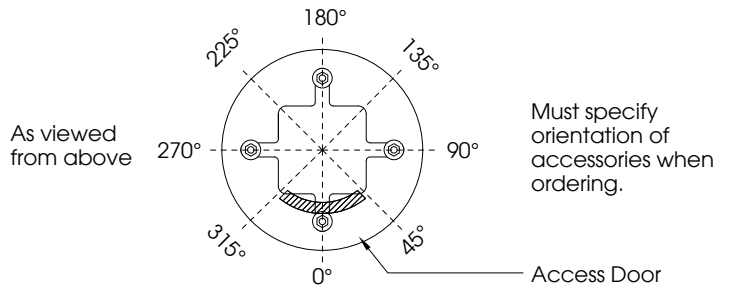


**FPH-4**  
 Extruded aluminum holder for 1" OD flag poles. Available for 4" OD non-tapered pole.

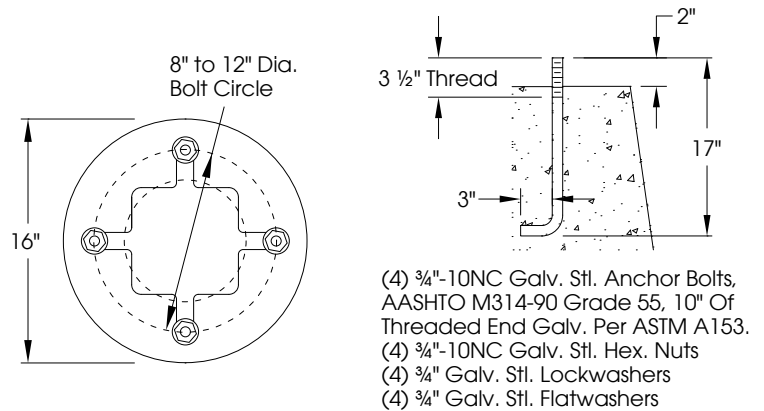


**GFCI**  
 Ground fault circuit protected duplex outlet. Available Recess mounted (GFCI-RM) as shown or surface mount (GFCI-SM).

**Accessory Orientation Guide**



**Anchor Details**



Anchor bolts and templates can be requested prior to product shipment.

