

Passo CR

4" Soft Glow LED
Recessed Wall Luminaire



PCCS4

Features

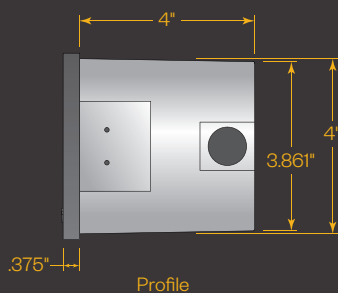
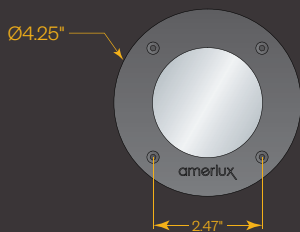
The Passo family of luminaires includes high quality, architecturally relevant fixtures suitable for use in both outdoor or indoor applications. All members of the Passo family feature an independently sealed optical chamber and fully potted driver. These features are especially beneficial in exterior applications as they help compensate for the challenges in getting a good seal between a pre-installed back box and the faceplate as well as those challenges in fully sealing the conduit system. Each luminaire is available in a choice of two output levels to help tailor the desired illuminance to the project and a standard 0-10v dimmable driver allows even further flexibility.

Product Overview

Wattage:	Up to 2.7W
Lumen Output:	Up to 81 lm
Color Temp:	2,700K / 3,000K / 4,000K
Dimming:	0-10v down to 10%

PROJECT:

TYPE:



Application:

Designed for new construction in interior or exterior hollow walls or poured concrete.

Construction:

- Die-cast aluminum housing with protective powdercoat finish
- Sealed die-cast aluminum internal optical chamber
- Die-cast aluminum faceplate
- 1/8" tempered frosted glass lens

Driver:

- Drive Current (100 or 175mA)
- 2.5kv surge protection
- Fully potted
- Input voltage 120v-277v auto-sensing
- 0-10v dimmable down to 10%

ETL listed, suitable for wet locations.

Optics:

Individually sealed optical chamber insures LEDs are secure independent of the installation of the back box.

Finish:

Premium quality thermoset polyester powdercoated faceplate for a durable finish.

ANT - Anthracite Gray
CLB - Classic Bronze
WHT - White

BLK - Satin Black
SLV - Silver
CSTM - Custom



Passo CR

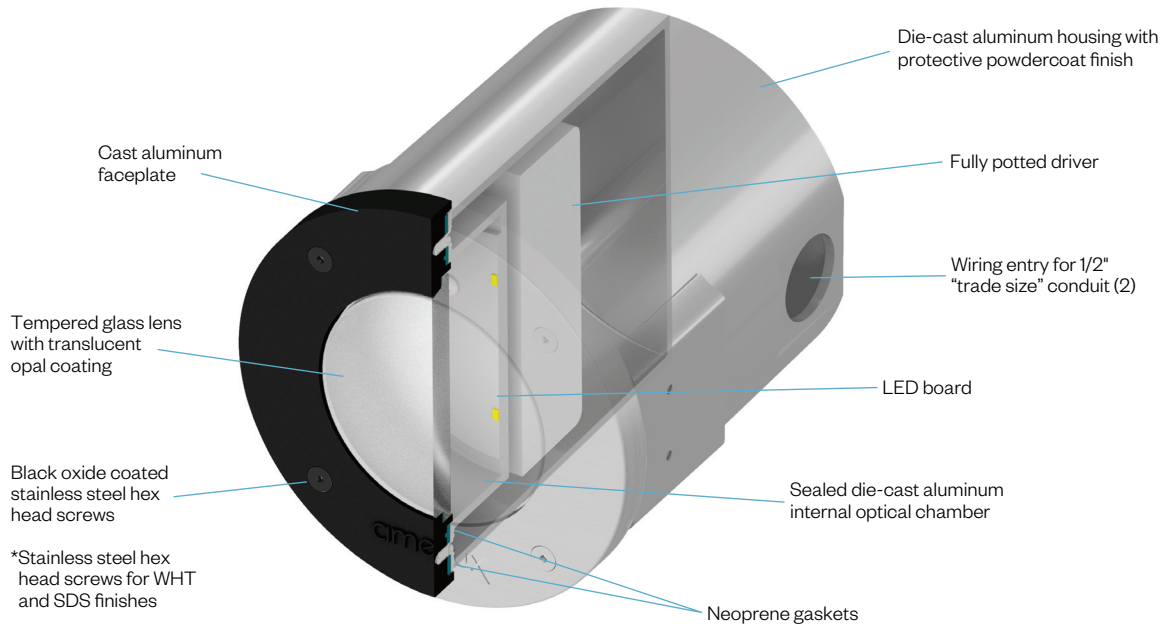
4" Soft Glow LED
Recessed Wall Luminaire



PROJECT:

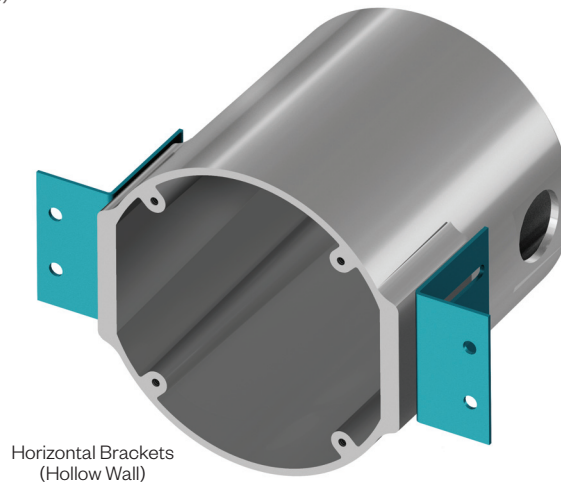
TYPE:

Construction Detail

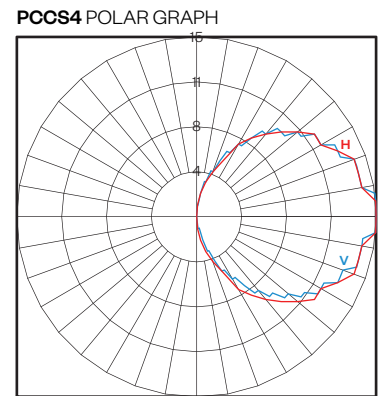


Application Brackets:

(Included)



Performance Detail



Ordering Information

Model Code	Performance Code	CCT	Approx. Lumens	Drive Current	Nominal Input Power	Finish Code
PCCS4	L27	2700 K	40	100mA	1.5W	ANT BLK CLB SLV WHT CSTM
	L30	3000 K	42			
	L40	4000 K	46			
	H27	2700 K	70	175mA	2.7W	
	H30	3000 K	74			
	H40	4000 K	81			

Ordering options shown as **BOLD**. Example: **PCCS4/L30/ANT**