

Passo CR

6" Soft Glow LED
Recessed Wall Luminaire



PCCS6

Features

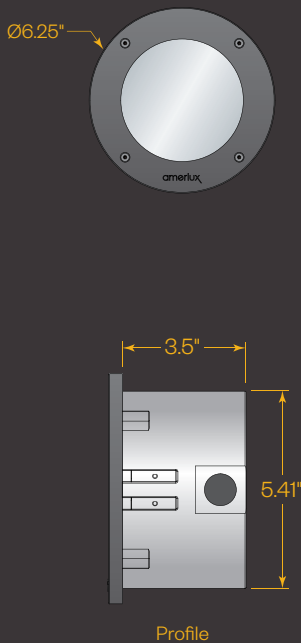
The Passo family of luminaires includes high quality, architecturally relevant fixtures suitable for use in both outdoor or indoor applications. All members of the Passo family feature an independently sealed optical chamber and fully potted driver. These features are especially beneficial in exterior applications as they help compensate for the challenges in getting a good seal between a pre-installed back box and the faceplate as well as those challenges in fully sealing the conduit system. Each luminaire is available in a choice of two output levels to help tailor the desired illuminance to the project and a standard 0-10v dimmable driver allows even further flexibility.

Product Overview

Wattage:	Up to 6.3W
Lumen Output:	Up to 265 lm
Color Temp:	2,700K / 3,000K / 4,000K
Dimming:	0-10v down to 10%

PROJECT:

TYPE:



Application:

Designed for new construction in interior or exterior hollow walls or poured concrete.

Construction:

- Electrical grade cast aluminum housing
- Internal optical chamber
- Cast aluminum faceplate
- 1/8" tempered opal glass lens

Driver:

- Drive Current (175 or 350mA)
- 2.5kv surge protection
- Fully potted
- Input voltage 120v-277v auto-sensing
- 0-10v dimmable down to 10%

ETL listed, suitable for wet locations.

Optics:

Individually sealed optical chamber insures LEDs are secure independent of the installation of the back box.

Finish:

Premium quality thermoset polyester powdercoated faceplate for a durable finish.

- | | |
|------------------------------|--------------------------|
| ANT - Anthracite Gray | BLK - Satin Black |
| CLB - Classic Bronze | SLV - Silver |
| WHT - White | CSTM - Custom |

Passo CR

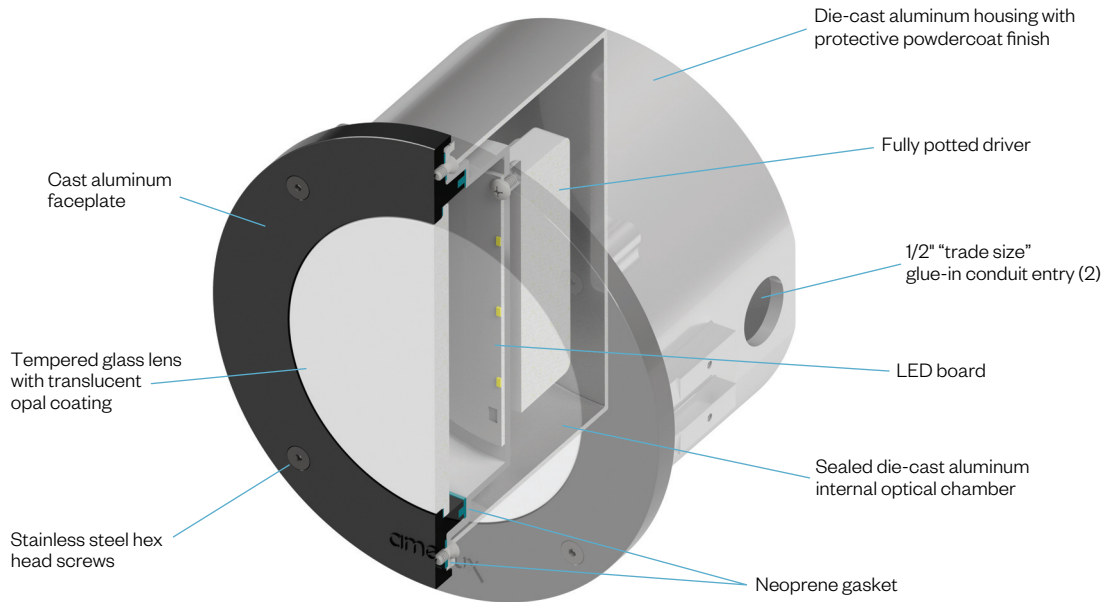
6" Cast Aluminum Soft Glow LED
Recessed Wall Luminaire



PROJECT:

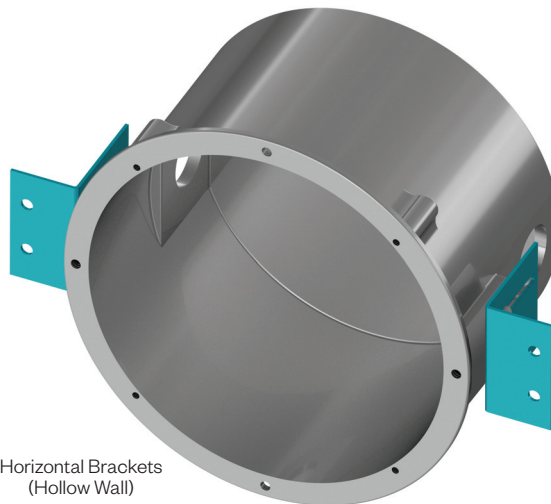
TYPE:

Construction Detail



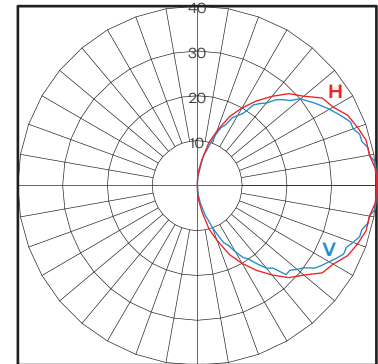
Application Brackets:

(Included)



Performance Detail

PCCS6 POLAR GRAPH



Ordering Information

Model Code	Performance Code	OCT	Approx. Lumens	Drive Current	Nominal Input Power	Finish Code
PCCS6	L27	2700 K	118	175mA	3.4W	ANT BLK CLB SLV WHT CSTM
	L30	K3000	124			
	L40	4000K	133			
	H27	2700 K	236	350mA	6.3W	
	H30	K3000	248			
	H40	4000K	265			

Ordering options shown as **BOLD**. Example: **PCCS6/L30/ANT**