

Passo CR

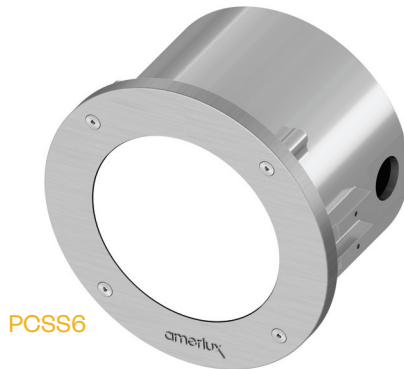
6" Stainless Steel Soft Glow
LED Recessed Wall Luminaire

Features

The Passo family of luminaires includes high quality, architecturally relevant fixtures suitable for use in both outdoor or indoor applications. All members of the Passo family feature an independently sealed optical chamber and fully potted driver. These features are especially beneficial in exterior applications as they help compensate for the challenges in getting a good seal between a pre-installed back box and the faceplate as well as those challenges in fully sealing the conduit system. Each luminaire is available in a choice of two output levels to help tailor the desired illuminance to the project and a standard 0-10v dimmable driver allows even further flexibility.

Product Overview

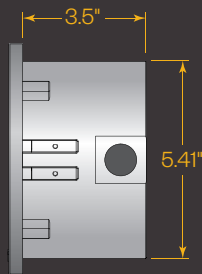
Wattage:	Up to 6.3W
Lumen Output:	Up to 265 lm
Color Temp:	2,700K / 3,000K / 4,000K
Dimming:	0-10v down to 10%



PCSS6

PROJECT:

TYPE:



Profile



PCSS6

Application:

Designed for new construction in interior or exterior hollow walls or poured concrete.

Construction:

- Electrical grade cast aluminum housing
- Internal optical chamber
- Stainless steel faceplate (316L)
- 1/8" tempered opal glass lens

Driver:

- Drive Current (175 or 350mA)
- 2.5kv surge protection
- Fully potted
- Input voltage 120v-277v auto-sensing
- 0-10v dimmable down to 10%

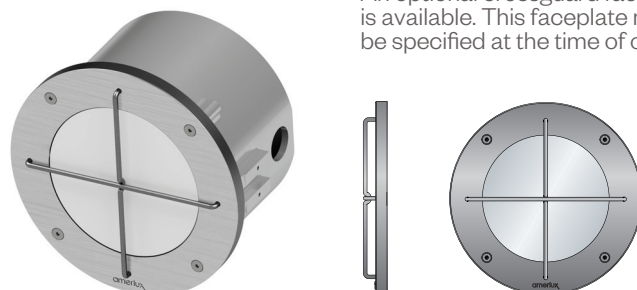
ETL listed, suitable for wet locations.

Optics:

Individually sealed optical chamber insures LEDs are secure independent of the installation of the back box.

PCSG6

An optional crossguard faceplate is available. This faceplate must be specified at the time of order.



Passo CR

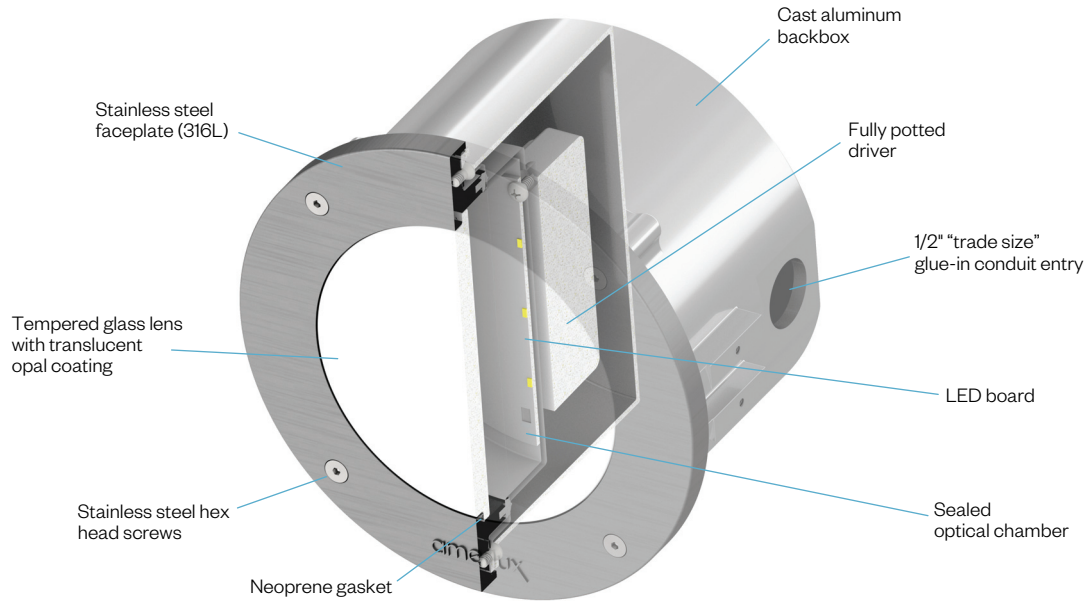
6" Stainless Steel Soft Glow LED
Recessed Wall Luminaire



PROJECT:

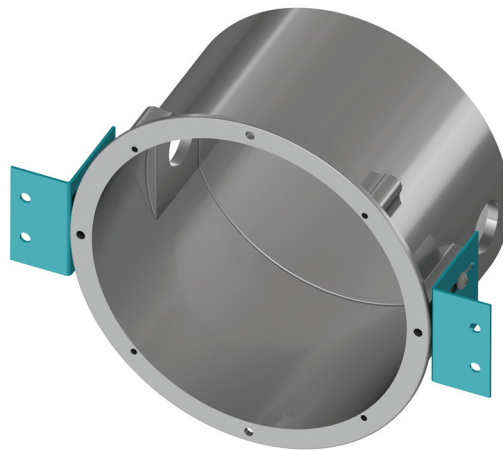
TYPE:

Construction Detail



Application Brackets:

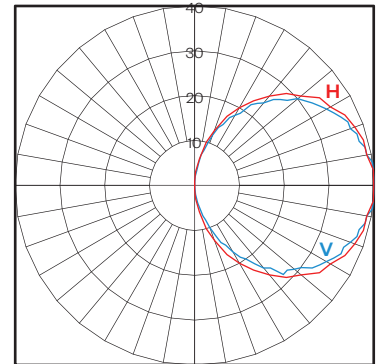
(Included with order)



Horizontal Brackets
(Hollow Wall)

Performance Detail

PCSS6 POLAR GRAPH



Ordering Information

Model Code	Performance Code	OCT	Approx. Lumens	Drive Current	Nominal Input Power
PCSS6	L27	2700 K	118	175mA	3.4W
	L30	3000 K	124		
	L40	4000 K	133		
PCSG6 (with guard)	H27	2700 K	236	350mA	6.3W
	H30	3000 K	248		
	H40	4000 K	265		

Ordering options shown as **BOLD**. Example: **PCSS6/L30**