

VLE

Vertical LED Light Engine

U.7.21.15

APPLICATION:

For use in commercial-grade lighting in exterior retail, commercial and hospitality environments

INSTALLATION:

VLE retrofit easily mounts to existing fixture hardware with customized fitter plate

DRIVER:

- Automatic input voltage sensing 120-277V AC
- Over voltage and short circuit protection
- Overload and over temperature protection

CONSTRUCTION:

- Custom fitter plate provided
- Robust COB LED chip for maximized light output

EFFICACY:

Up to 70 lumens/ watt at 3000K
Up to 71 lumens/ watt at 4000K
Up to 75 lumens/ watt at 5000K

DISTRIBUTION:

Symmetrical or asymmetrical distribution available

LIFE:

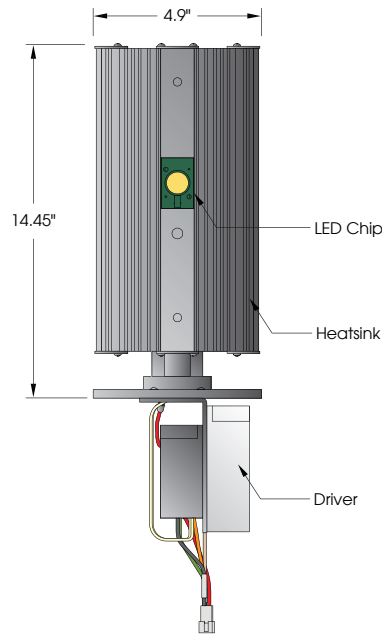
50,000+ hours

VLE
LED



PROJECT:

TYPE:



Light Engine Type	Model	Light Distribution	Order Code	CCT	CRI	Approx. Lumens Delivered	Nominal Input Power	Dimmable
Vertical High Power (for use in refractive diffusers)	VLE	SY (Symmetric)	3H	3,000K	80	5,600 lm	80W	0-10V
			4H	4,000K	80	5,700 lm		
			5H	5,000K	65	6,000 lm		
		AS (Asymmetric)	3H	3,000K	80	4,200 lm	60W	
			4H	4,000K	80	4,300 lm		
			5H	5,000K	65	4,500 lm		
	SY	3L	3,000K	80	3,000 lm	40W		
		4L	4,000K	80	3,300 lm			
		5L	5,000K	65	3,600 lm			
	AS	3L	3,000K	80	2,200 lm	30W		
		4L	4,000K	80	2,500 lm			
		5L	5,000K	65	2,800 lm			

Ordering options in **BOLD**



5 year limited warranty
AMERLUX LED



Part String

Example: **VLE / SY / 3H**