



Rook Pendant Family

Control and output, in balance.

Rook Pendant Family



RK475 Surface Mount

Introducing the Rook family, a line that translates the control, performance and comfort of our downlights into a sophisticated new format. Offered in 3.5" and 4.75" apertures, these pendants pair perfectly with the Hornet HP Downlights and Evoke 4.75" Downlights. The Rook is the right choice for creating drama with focused light in reception areas, office environments, and retail spaces.

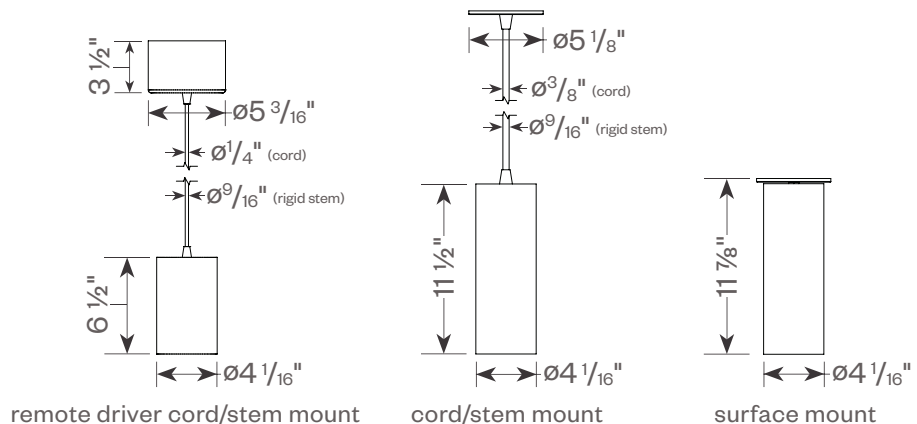
The new Rook 475 reduces costs, enhances beam control, and maintains design integrity across all of our pendant lines.

For most updated performance & ordering information visit us at amerlux.com.

Features & Specs

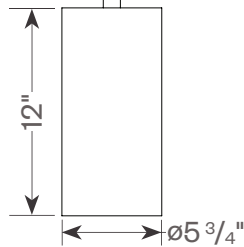
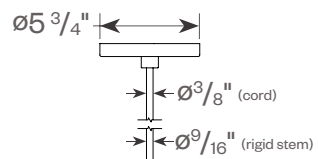
- Apertures: 3.5" (RK350) and 4.75" (RK475)
- 11W, 14W, 16W, 18W, 21W (RK350)
19W, 21W, 27W (RK475)
- Up to 2,104 Lm; 78 Lm/W
- Beam spreads 15°-75°
- CrispWhite LED available (visit website for details)
- CRI: 83 typ. (2700K, 3000K, 3500K, 4000K)
97 typ. (2200K, 2700K, 3000K)
- Binning: 3 MacAdam
- Extruded aluminum pendant and die-cast heat sink
- Trim Options:
Matte white, matte black, matte silver (RK350)
Semi-diffuse (RK475)
- Electronic constant current LED driver, 120/277V
- Dimming options (120V & 277V):
ELV and TRIAC (standard)
Lutron Hi-lume®
0-10V
- Canopy/cord, rigid stem or surface mounting

Rook 350 (RK350)

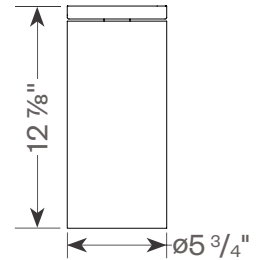




Rook 475 (RK475)



cord/stem mount



surface mount



Company Certifications:



3450 South Sam Houston Pkwy E. Suite 400
Houston, TX 77047
T: 281.997.5400 | F: 281.997.5441

Headquarters
178 Bauer Drive, Oakland, NJ 07436
T: 973.882.5010 | F: 973.882.2605

amerlux.com
© 2016 Amerlux, LLC

Oxidated Carpark 2nd Floor
No. 124 Donghuan Road, Donghuan Jie Panyu,
Guangzhou P.R.C. 511400