

Cynch

Accent/Pendant Multiples

Features

Cynch creates visual ambience in hotels, restaurants, and retail environments. Clean, compact styling ensures it looks good in any environment. Cynch's magnetic connection gives it the ability to switch from accent to pendant in the field; a simple pull disconnects the mechanical and electrical connection. Cynch is easy to maintain and available in many styles. It's accent lighting in a Cynch.

Product Overview

Wattage:	7
Lumen Output:	420 max; 60 Lm/W (Spot optic)
CBCP:	4970 max (Spot optic)
Color Temp:	2700K, 3000K, 3500K, 4000K
CRI:	83 typ. (2700K, 3000K, 3500K, 4000K) 92 typ. (2700K, 3000K)



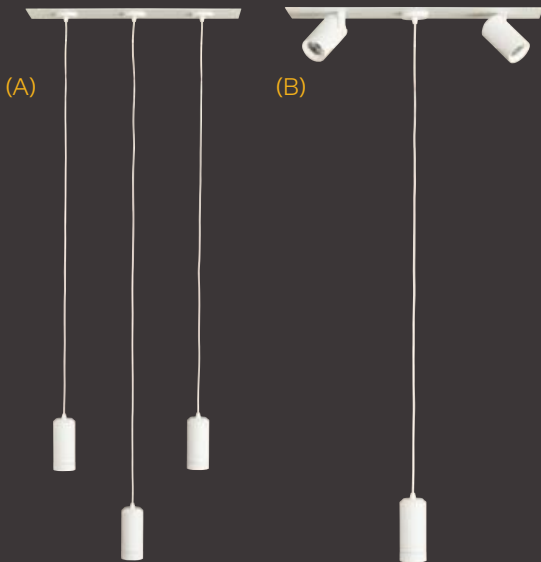
Flush Mount Multiples (accepts accents & pendants)



Single Port Mounts (accepts accent & pendant)

PROJECT:

TYPE:



Flush Mount (with (A) pendants; (B) accents & pendants)



Semi-Recessed Multiples (accepts accents & pendants)

Fixture Type

Single	New Construction	Remodeler	
Square	✓	✓	
Round	✓	✓	
Multiple # of Heads	New Construction	Flush	Semi-Recessed
1	✓	✓	✓
2	✓	✓	✓
3	✓	✓	✓

Performance Chart

Watts	Delivered Lumens	LPW	CBCP	Color Temp
7	420	60	4970	3000K

*Data is "per head"

*Data is Spot optic.

Conversion Chart

CCT	Multiplying Factor	CCT	Multiplying Factor
2700K-83	0.97	2700K-92	0.77
3000K-83	1.0	3000K-92	0.82
3500K-83	1.02		
4000K-83	1.13		

PROJECT:

TYPE:

Specifications

Performance

Lumen Output: 420 max; 60 Lm/W (7W, 3000K, Spot)
 Lumen Maintenance: > 70% of initial lumens at 50,000 hrs
 CBCP: 4,970 (7W, 3000K, Spot)
 Life: 50,000 hours

Optical

Tilt: 0-90° (for accent head)
 Rotation: 360°+
 Wattage: 7
 Beam Spreads:
 Spot, 13°
 Narrow Flood, 18°
 Flood, 28°

LED

Color Temp Options:
 2700K, 3000K, 3500K, 4000K
 CRI: 83 typ. (2700K, 3000K, 3500K, 4000K)
 92 typ. (2700K, 3000K)
 R9 Values: 7 (83 CRI), 77 (92 CRI)
 Binning: 3 MacAdam (SDCM)

Electrical

Electronic constant current LED driver, 120V/277V input
 ELV dimming at 120V only standard
This product complies with IEEE C62.41 for surge endurance up to 2.5KV. Amerlux® recommends using additional surge protection with this unit (supplied by others), surge damage is not covered under warranty.

Construction

Stamped steel mounting frame with integral mounting bars
 Steel driver housing
 Steel upper housing and laser cut trim ring
 Complete die-cast optical head construction
 No exposed wiring

Finish

Powder coat paint, matte white, matte black or matte silver

Mounting

For use in T-Grid or GB ceilings; max ceiling thickness 1"
 Adjustable hanger bars included (14 1/2" - 25" std.)
(32"-48" Adjustable hanger bars available)
Consult Factory for thicker ceilings

Certifications

CSA listed to UL standards. Suitable for damp locations
 Indoor use only

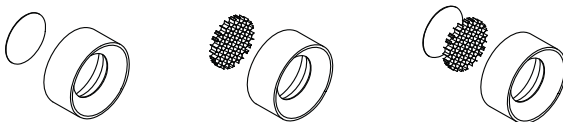
Warranty

5 year limited warranty

Ceiling Types

Gyp Board		Acoustical Tile	
5/8"	1"	3/4"	1"

Accessories (diagrams show installation order)



Accessory holder, dichroic film, hexcell louver

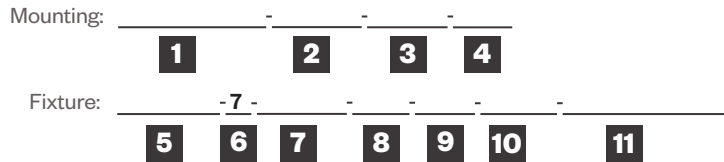
Electrical Data

	7w	
	System Watts	Amps
120V	7	0.06
277V	7	0.03

PROJECT:

TYPE:

Ordering Information



Mounting Method

- 1** Model
CNH-RP (round port)
CNH-M1FM (1 port multiple, flush mount)
CNH-M2FM (2 port multiple, flush mount)
CNH-M3FM (3 port multiple, flush mount)
CNH-M1SR (1 port multiple, semi-recessed)
CNH-M2SR (2 port multiple, semi-recessed)
CNH-M3SR (3 port multiple, semi-recessed)
- 2** Finish
MW - matte white
MB - matte black
MSLV - matte silver
- 3** Mount
NC - new construction
REM - remodeler (CNH-P & CNH-MIFM only)
- 4** Voltage
120
277

Fixture Type (specify quantity)

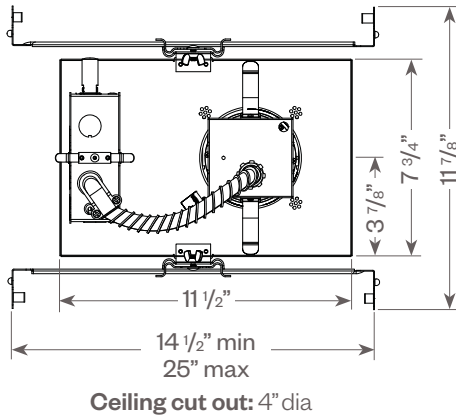
- | | |
|--|---|
| <ol style="list-style-type: none"> 5 <u>Model</u>
 CNH-A (accent)
 CNH-P (pendant) 6 <u>Wattage</u>
 7 7 <u>Finish</u>
 MW - matte white
 MB - matte black
 MSLV - matte silver 8 <u>Length</u> (for Pendant only, field cuttable;
 consult factory for other lengths)
 5 - 5'
 10 - 10' 9 <u>Beam Spreads</u>
 SP - spot, 13°
 NF - narrow flood, 18°
 FL - flood, 28° | <ol style="list-style-type: none"> 10 <u>Color Temp</u>
 83 CRI 92CRI
 27 - 2700K 279 - 2700K-92
 30 - 3000K 309 - 3000K-92
 35 - 3500K
 40 - 4000K 11 <u>Options/Accessories</u>
 AH - accessory holder
 HEX - hexcell louver (requires AH)
 DCH - dichroic film (requires AH, consult factory for colors) |
|--|---|

PROJECT:

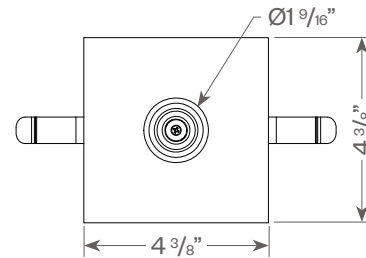
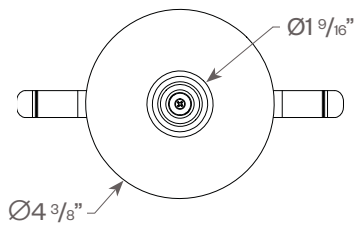
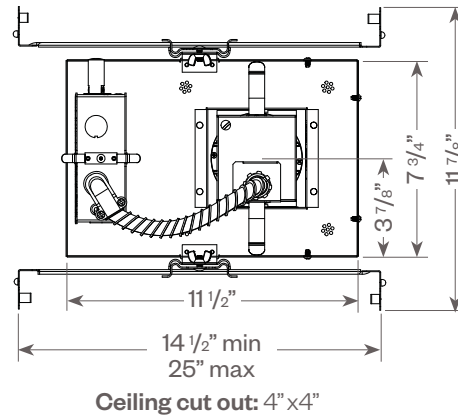
TYPE:

Cynch: Round/Square Single Port

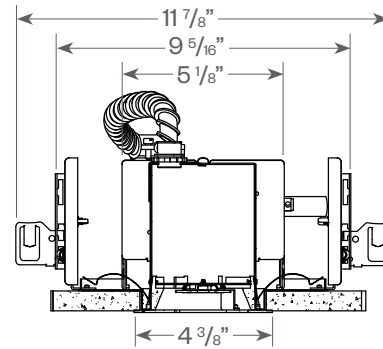
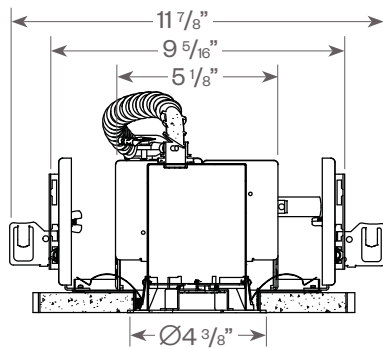
Round (CNH-RP)



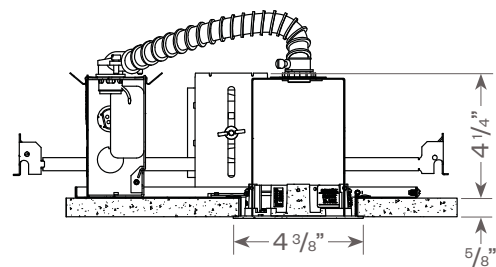
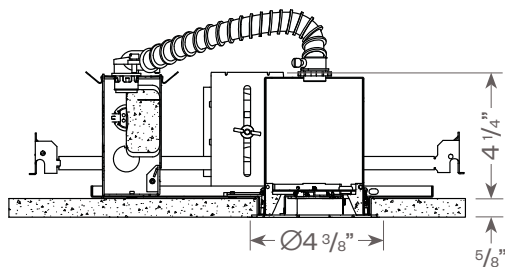
Square (CNH-MIFM) (same as 1 port multiple, flush mount)



End View



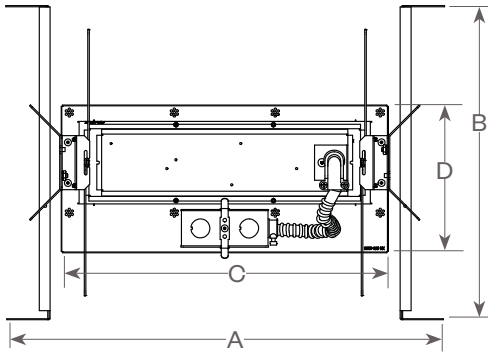
Side View



PROJECT:

TYPE:

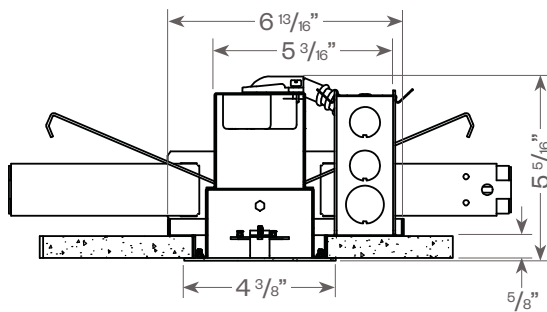
Cynch Multiples: Flush Mount Ports



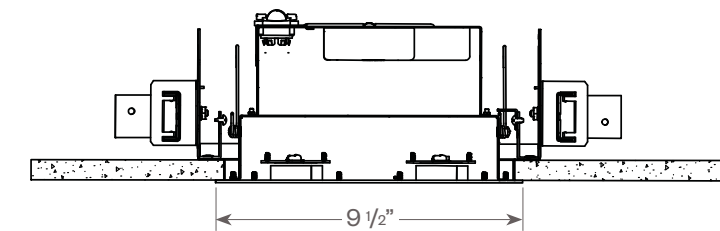
	2 Light	3 Light
A	15 11/16"	20 3/16"
B	14 1/2" max 26"	14 1/2" max 26"
C	10 5/8"	15 1/8"
D	6 13/16"	6 13/16"

Ceiling cut out: 2 Light - 3 7/8" x 9"
3 Light - 3 7/8" x 13 1/2"

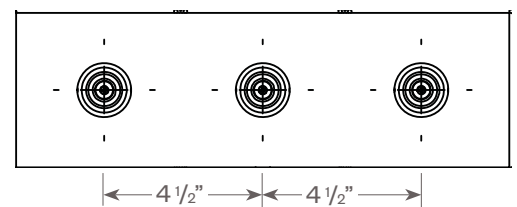
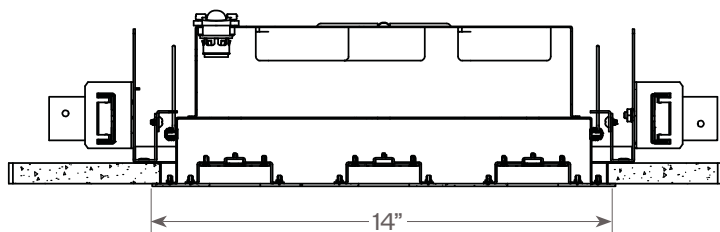
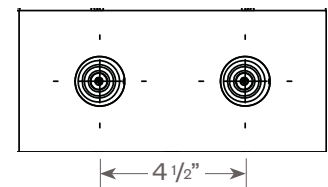
End View



Side View



Bottom View



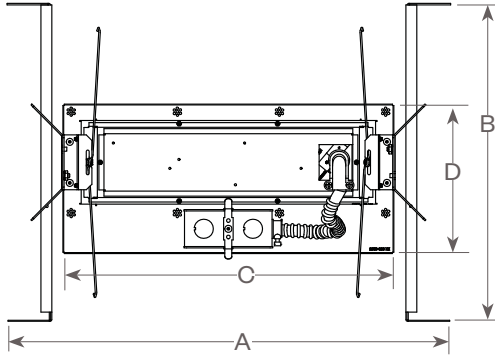
Cynch

Accent/Pendant Multiples

PROJECT:

TYPE:

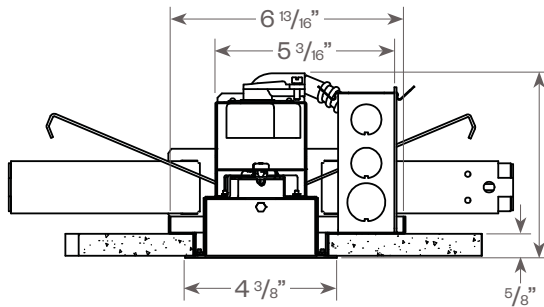
Cynch Multiples: Semi-Recessed Mount Ports



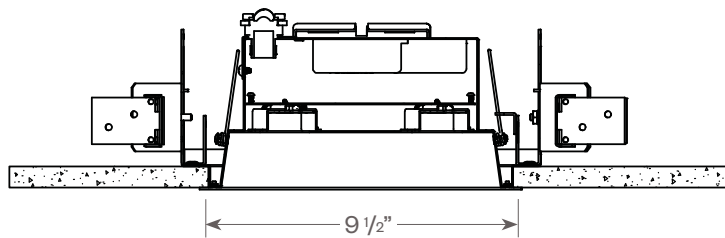
	2 Light	3 Light
A	15 ¹¹ / ₁₆ "	20 ³ / ₁₆ "
B	14 ¹ / ₂ " max 26"	14 ¹ / ₂ " max 26"
C	10 ⁵ / ₈ "	15 ¹ / ₈ "
D	6 ¹³ / ₁₆ "	6 ¹³ / ₁₆ "

Ceiling cut out: 2 Light - 3 ⁷/₈" x 9"
3 Light - 3 ⁷/₈" x 13 ¹/₂"

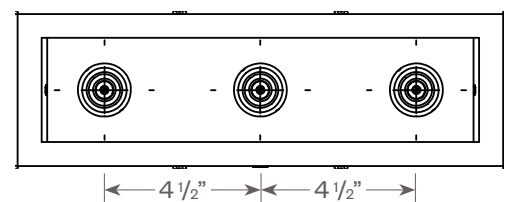
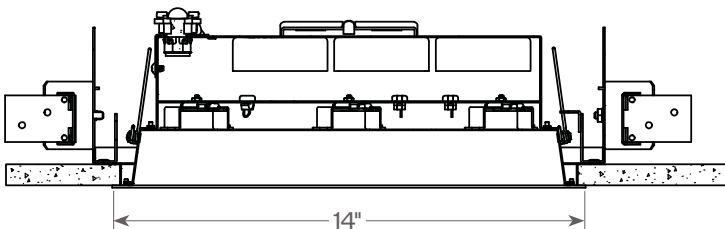
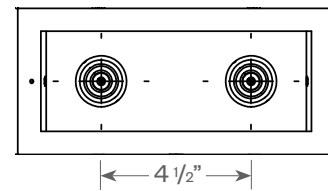
End View



Side View



Bottom View



Cynch

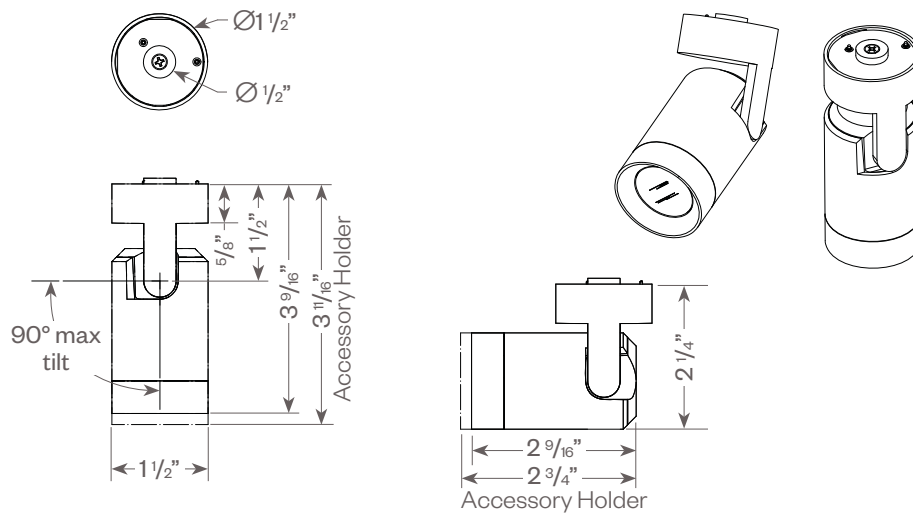
Accent/Pendant Multiples

PROJECT:

TYPE:

Cynch Fixture Types: Accent or Pendant

Accent



Pendant

