

# IMPERIA T4 WALL WASH

T4 METAL HALIDE

IMW  
T4 MH

**APPLICATION:**

Retail and commercial wall wash applications

**CONSTRUCTION:**

Die-cast aluminum lamp housing and base  
Extruded aluminum ballast housing  
Captive lamp housing door with locking knob permits hands-free relamping  
Powder coat paint

**OPTICS:**

High performance formed aluminum textured reflector  
Specially designed for T4 MH lamps  
90° tilt, 358° rotation  
Vertical aiming angle indicator  
Locking vertical adjustment

**MOUNTING:**

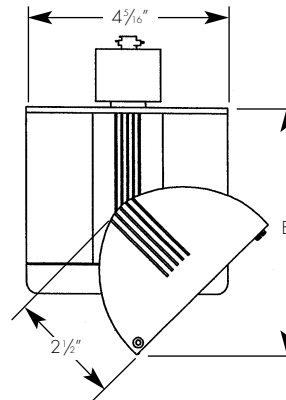
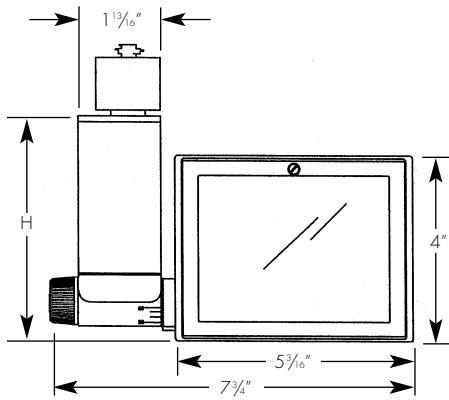
Available for track, canopy and busway

**LABELING:**

cUL listed



PROJECT :  
  
TYPE :



**ELECTRICAL**

Ballast	Input volts	20w		39w		70w	
		Input wáts	Amps*	Input wáts	Amps*	Input wáts	Amps*
Electronic	120v	23	.20	44	.37	79	.67
	277v	22	.09	46	.17	79	.29

\*Data is for open circuit current  
T4 G8.5 base metal halide 20w, 39w, and 70w

	H
20w/39w	4 7/8"
70w	7 1/4"

	E
20w/39w	5 3/4"
70w	7 3/4"

Amerlux reserves the right to change details that do not affect overall function and performance.



**ORDERING INFORMATION:**

Model	Wattage	Lamp Type	Ballast	Finish	Mounting	Voltage	Beam Spreads	Options/ Accessories
IMW	20 39 70	T4	E - electronic	WT - white textured BT - black textured ST - silver textured - (other RAL)	TN1 - Global 1cir 120v TEK - Global 2cir/2neut 120v TN3 - Global 3cir 120v TN2 - Global 2cir/2neut 277v C - canopy B - busway CCL - C-clamp - (other)	120 277	WW - wall wash	GOLD - ferric gold optic reflector DB2690 - DB2690 optic reflector

Example: IMW-39-T4-E-WT-TN1-120-VVW

Cat #:

# IMPERIA T4 WALL WASH

T4 METAL HALIDE

IMW  
T4 MH



TYPE :



**FIXTURE DATA:** For 20w data, multiply by .51; For 70w data, multiply by 1.9

Complete photometric data (.ies format) available upon request.

IMPERIA T4 WALL WASH 39W

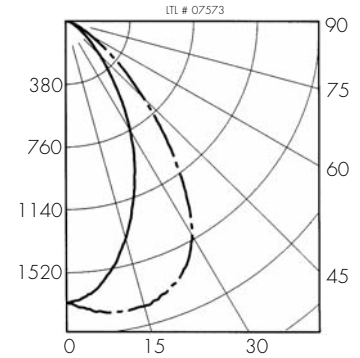
Lamp: Philips CDM/35/TC/830 Lamp Lumens: 3300

Track Mounting

## ZONAL LUMEN SUMMARY

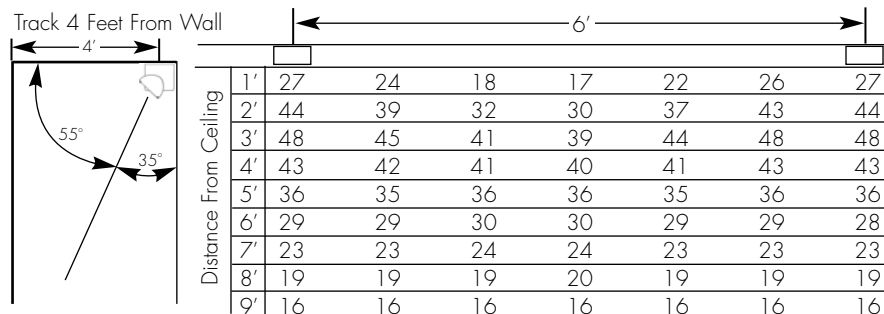
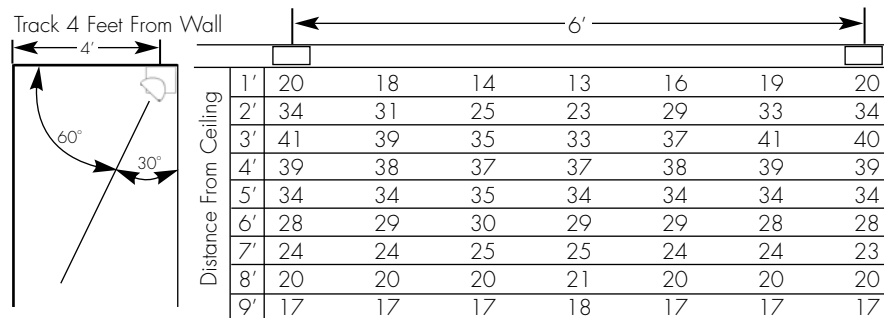
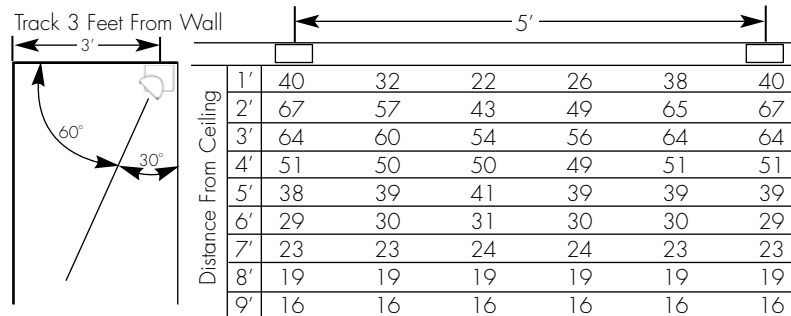
Zone	Lumens	%Lamp	%Fixt
0-30	1126	34.1	51.4
0-40	1609	48.8	73.5
0-60	2071	62.7	94.6
0-90	2190	66.4	100.0
90-180	0	0.0	0.0
0-180	2190	66.4	100.0

**Total Luminaire Efficiency = 66.4%**



## APPLICATION DATA:

### Footcandles on Wall



Footcandles are average and rounded off.  
Data for multiple units are based on a minimum of five units.