

MURRO II ED-17 METAL HALIDE WALL WASH

MUR II
ED-17 MH

APPLICATION:

Retail and commercial wall wash applications

MOUNTING:

Available for track, canopy or busway

CONSTRUCTION:

Die-cast aluminum lamp and ballast housing
Captive lamp housing door with locking knob
4KV pulse rated socket
Powder coat paint

LABELING:

cUL listed

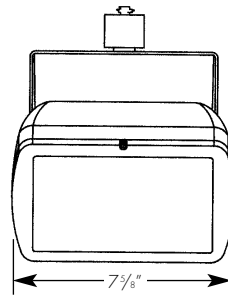
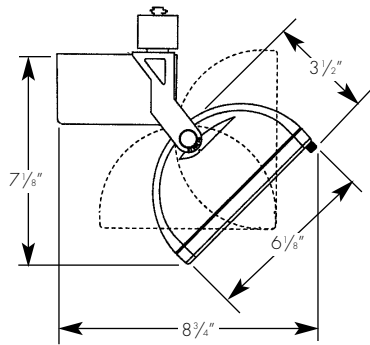
OPTICS:

High performance formed aluminum textured reflector
90° tilt, 358° rotation
Locking vertical aiming
Aiming angle indicator



PROJECT:

TYPE:



ELECTRICAL

Lamping

Ballast	Voltage	70w		100w	
		Input watts	Amps*	Input watts	Amps*
Electronic	120v	79	.67	110	.90
	277v	79	.29	110	.41

*Data is for open circuit current

ED-17 medium base metal halide, 70w and 100w

Amerlux reserves the right to change details that do not affect overall function and performance.

Murro II is also available in T6 lamping.
See specific Murro II specification sheets for details.



ORDERING INFORMATION:

Model	Wattage	Lamp Type	Ballast	Finish	Mounting	Voltage	Beam Spreads	Options/ Accessories
MUR II	70 100	17 - ED-17	E - electronic	WT - white textured BT - black textured ST - silver textured ____ (other RAL)	TN1 - Global 1cir 120v TEK - Global 2cir/2neut 120v TN3 - Global 3cir 120v TN2 - Global 2cir/2neut 277v C - canopy B - busway CCL - C-clamp ____ (other)	120 277	WW - wall wash	GOLD - ferric gold optic reflector BD - barn doors, specify finish (black standard)

Example: MUR II-70-17-E-WT-TN3-120-WW

Cat #:

MURRO II ED-17 METAL HALIDE WALL WASH

MUR II
ED-17 MH



TYPE :



FIXTURE DATA: For 100w data, multiply by 1.5

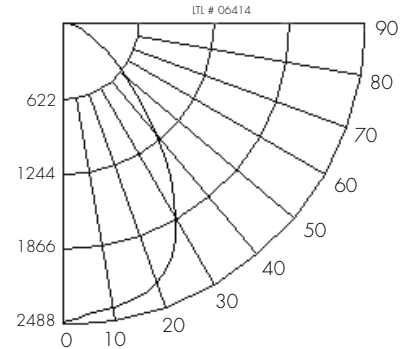
Complete photometric data (.ies format) available upon request.

MURRO II 70W ED-17 MH
Lamp: Philips MHC70/U/M/3K Lamp Lumens: 6200
Track Mounting

ZONAL LUMEN SUMMARY

Zone	Lumens	%Lamp	%Fixt
0-30	1851	30.0	38.0
0-40	2916	47.0	60.0
0-60	4381	71.0	90.0
0-90	4843	78.0	100.0
90-180	0	0.0	0.0
0-180	4843	78.0	100.0

Total Luminaire Efficiency = 78.0%



APPLICATION DATA:

Footcandles on Wall

Footcandles are average and rounded off.
Data for multiple units are based on a minimum of five units.

Track 3 Feet From Wall

Distance From Ceiling	1'	2'	3'	4'	5'	6'	7'	8'	9'
1'	115	98	56	40	56	98	115		
2'	142	122	80	62	80	122	142		
3'	104	96	76	66	76	96	104		
4'	72	70	61	58	62	70	72		
5'	52	51	49	48	49	51	52		
6'	40	40	39	38	39	40	40		
7'	32	32	32	31	32	32	32		
8'	27	27	27	27	27	27	27		
9'	24	24	24	24	24	24	24		

Track 4 Feet From Wall

Distance From Ceiling	1'	2'	3'	4'	5'	6'	7'	8'	9'
1'	76	73	56	48	56	73	76		
2'	101	96	78	68	78	96	101		
3'	90	87	78	73	78	87	90		
4'	71	71	67	66	67	71	71		
5'	56	56	55	54	55	56	56		
6'	46	46	45	45	45	46	46		
7'	37	37	37	37	37	37	37		
8'	32	32	32	32	32	32	32		
9'	27	27	27	27	27	27	27		

Track 4 Feet From Wall

Distance From Ceiling	1'	2'	3'	4'	5'	6'	7'	8'	9'
1'	71	67	47	31	25	31	47	67	71
2'	94	87	64	43	36	43	64	87	94
3'	81	76	62	47	42	47	62	76	81
4'	60	58	51	44	41	44	51	58	60
5'	45	45	41	38	37	38	41	45	45
6'	35	35	33	32	32	32	33	35	35
7'	28	28	28	27	27	27	28	28	28
8'	23	23	23	23	23	23	23	23	23
9'	20	20	20	20	20	20	20	20	20