

MURRO II T6 METAL HALIDE WALL WASH

MUR II
T6 MH

APPLICATION:

Retail and commercial wall wash applications

MOUNTING:

Available for track, canopy or busway

CONSTRUCTION:

Die-cast aluminum lamp and ballast housing
Captive lamp housing door with locking knob
4KV pulse rated socket
Powder coat paint

LABELING:

cUL listed

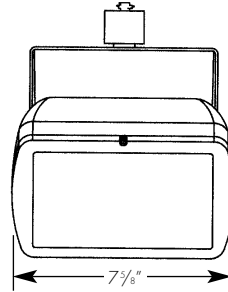
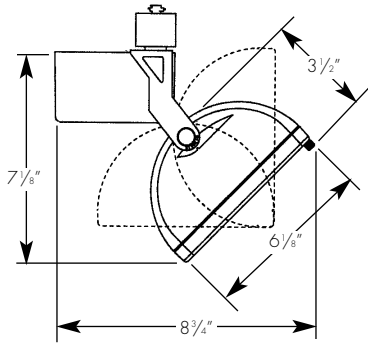
OPTICS:

High performance formed aluminum textured reflector
90° tilt, 358° rotation
Locking vertical aiming
Aiming angle indicator



PROJECT:

TYPE:



ELECTRICAL

Lamping

Ballast	Voltage	39w		70w	
		Input watts	Amps*	Input watts	Amps*
Electronic	120v	44	.37	79	.67
	277v	46	.17	79	.29

*Data is for open circuit current
T6 G12 base metal halide, 39w and 70w

Amerlux reserves the right to change details that do not affect overall function and performance.

Murro II is also available in ED17 lamping.
See specific Murro II specification sheets for details.



ORDERING INFORMATION:

Model	Wattage	Lamp Type	Ballast	Finish	Mounting	Voltage	Beam Spreads	Options/Accessories
MUR II	39 70	T6	E - electronic	WT - white textured BT - black textured ST - silver textured - (other RAL)	TN1 - Global 1cir 120v TEK - Global 2cir/2neut 120v TN3 - Global 3cir 120v TN2 - Global 2cir/2neut 277v C - canopy B - busway CCL - C-clamp - (other)	120 277	WW - wall wash	GOLD - ferric gold optic reflector BD - barn doors, specify finish (black standard)

Example: MUR II-39-T6-E-ST-TN3-120-WW

Cat #:

MURRO II T6 METAL HALIDE WALL WASH

MUR II
T6 MH



TYPE :



FIXTURE DATA: For 70w data, multiply by 1.9

Complete photometric data (.ies format) available upon request.

MURRO II 39W T6 MH

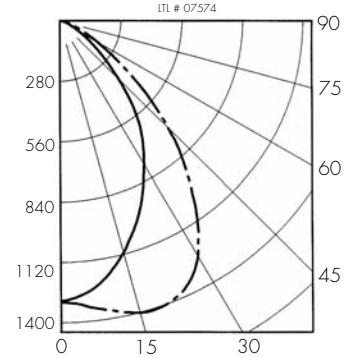
Lamp: Philips CDM35/T6/830 Lamp Lumens: 3400

Track Mounting

ZONAL LUMEN SUMMARY

Zone	Lumens	%Lamp	%Fixt
0-30	954	28.1	44.4
0-40	1452	42.7	67.5
0-60	2026	59.6	94.2
0-90	2151	63.3	100.0
90-180	0	0.0	0.0
0-180	2151	63.3	100.0

Total Luminaire Efficiency = 63.3%



APPLICATION DATA:

Footcandles on Wall

Footcandles are average and rounded off.
Data for multiple units are based on a minimum of five units.

Track 3 Feet From Wall

Distance From Ceiling	1'	2'	3'	4'	5'	6'	7'	8'	9'
1'	33	28	19	19	28	33			
2'	64	57	43	43	57	64			
3'	62	60	54	54	60	62			
4'	50	50	50	50	50	50			
5'	40	40	40	40	40	40			
6'	31	31	31	32	31	31			
7'	24	24	24	24	24	24			
8'	19	19	19	19	19	19			
9'	16	16	16	16	16	16			

Track 4 Feet From Wall

Distance From Ceiling	1'	2'	3'	4'	5'	6'	7'	8'	9'
1'	34	31	24	22	26	31	34		
2'	44	42	38	34	38	42	43		
3'	43	42	41	39	41	42	43		
4'	38	38	38	38	38	38	38		
5'	32	32	32	32	32	32	32		
6'	26	26	26	26	26	26	26		
7'	21	21	21	21	21	21	21		
8'	17	17	17	17	17	17	17		
9'	15	15	15	15	15	15	15		

Track 4 Feet From Wall

Distance From Ceiling	1'	2'	3'	4'	5'	6'	7'	8'	9'
1'	32	28	21	14	11	14	21	28	32
2'	40	38	30	21	18	21	30	38	40
3'	38	37	32	26	23	26	32	37	38
4'	31	31	29	26	24	26	29	31	31
5'	25	25	24	23	22	23	24	25	25
6'	20	20	20	20	20	20	20	20	20
7'	16	16	16	16	16	16	16	16	16
8'	13	13	13	13	13	13	13	13	13
9'	11	11	11	11	11	11	11	11	11