

NITRO II

2% NITROGEN INFUSED ACRYLIC PENDANT

NIT II
ED17 MH

APPLICATION:

Retail and commercial ambient and display lighting

CONSTRUCTION:

Formed steel and aluminum housing
Stainless steel mesh lamp enclosure with glass lens
(not on 17P option)
Powder coat paint, available in over 200 finishes

MOUNTING:

Busway, canopy, c-clamp or stem
Amerlux offers 3/8" stem/canopy in lengths up to 10'
For stem by others, use HUB 1/2" or 3/4" mounting
option

LABELING:

cUL listed

OPTICS:

Spun specular hammertone aluminum lower reflector
2% Nitrogen infused acrylic prismatic refractor
Adjustable optic provides choice of flood (44°) or
wide flood (62.5°) distribution
ED17 ceramic metal halide lamps (standard and
protected)



PROJECT :

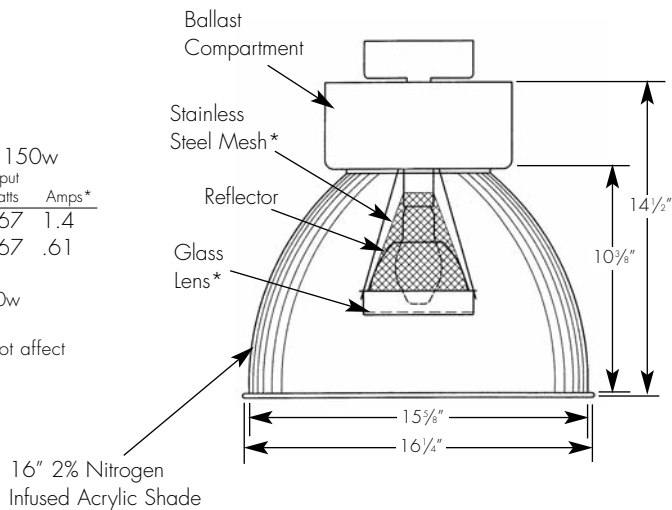
TYPE :

ELECTRICAL

Ballast		Lamping					
		70w		100w		150w	
		Input watts	Amps*	Input watts	Amps*	Input watts	Amps*
Electronic	120v	79	.67	110	.90	167	1.4
	277v	79	.29	110	.41	167	.61

*Data is for open circuit current
ED-17 medium base metal halide, 70w, 100w and 150w

Amerlux reserves the right to change details that do not affect
overall function and performance.



*Not provided when using a fixture rated for protected lamps only.

ORDERING INFORMATION:

Model	Wattage	Lamp Type	Ballast	Finish	Mounting	Voltage	Distribution	Options/ Accessories
NIT II	70 100 150	17 - ED17 17P - ED17 protected lamp*	E - electronic	W - white B - black ____ - _____ (other RAL)	C - canopy B - busway CCL - C-clamp STEM _____ (specify length) 12" increments, 10' max. (comes w/canopy) HUB 1/2" _____ (specify lead length) (should be 12" longer than stem, for use with 1/2" NPT stem/canopy by others) HUB 3/4" _____ (specify lead length) (should be 12" longer than stem, for use with 3/4" NPT stem/canopy by others)	120/277U	FL - flood WF - wide flood	GOLD - ferric gold optic reflector QUARTZ - quartz restrike

*No mesh lamp enclosure required

Example: NIT II-70-17-E-W-STEM48-120/277U-FL

Cat #:

NITRO II

2% NITROGEN INFUSED ACRYLIC PENDANT

NIT II
ED17 MH



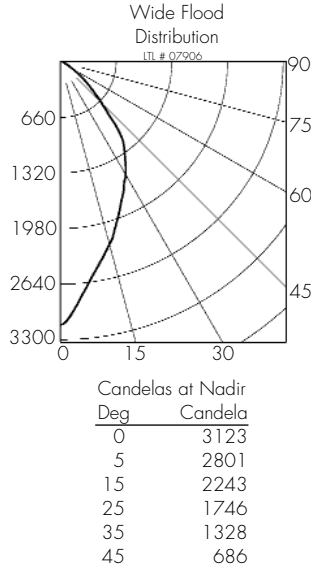
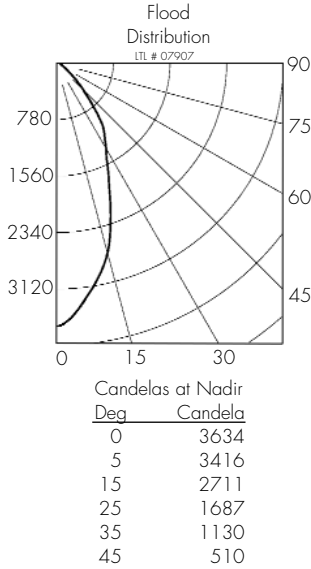
TYPE :



FIXTURE DATA: For 100w data, multiply by 1.5; For 150w data, multiply by 2.2

Complete photometric data (.ies format) available upon request.

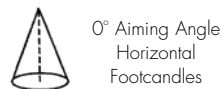
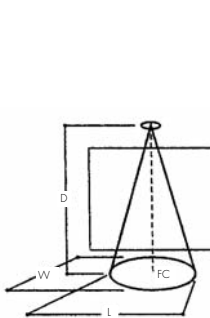
70W ED17 MH



APPLICATION DATA:

Notes and Definitions:

Beam spread is to 50% center beam candlepower (CBCP).
 D=Distance to floor or wall.
 FC=Footcandles on floor or wall at center beam aiming location.
 L=Effective Visual Beam length in feet (50% of maximum footcandle level).
 W=Effective Visual Beam width in feet (50% of maximum footcandle level).
 CB=Distance across or down to center beam location.



	D	FC	L	W
FLOOD	7.5'	65	5.5	5.5
	10.0'	36	7.2	7.2
	12.5'	23	9.0	9.0
	15.0'	16	10.9	10.9
WIDE FLOOD	7.5'	56	5.8	5.8
	10.0'	31	7.7	7.7
	12.5'	20	9.7	9.7
	15.0'	14	11.6	11.6