

THEATRICAL BELL

250W PAR38 120V INCANDESCENT

TBI
PAR38 120V

APPLICATION:
Retail and commercial accent and display lighting

MOUNTING:
Track, canopy or busway mounting

CONSTRUCTION:
Aluminum lamp housing
Steel yoke
Medium base socket
Powder coat paint

LABELING:
cUL listed

OPTICS:
PAR38 250w max. incandescent lamp
90° lockable tilt, 358° rotation



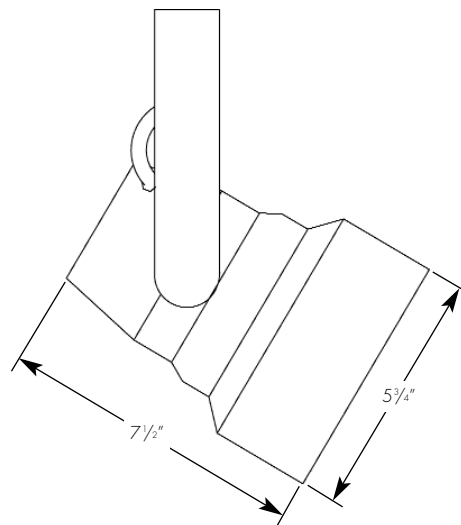
PROJECT:

TYPE:

ELECTRICAL

120v

Amerlux reserves the right to change details that do not affect overall function and performance.



ORDERING INFORMATION:

Model	Wattage	Lamp Type	Finish	Mounting	Voltage
TBI	250	PAR38	WT - white textured BT - black textured ST - silver textured ____ (other RAL)	TN1 - Global 1cir 120v TEK - Global 2cir/2neut 120v TN3 - Global 3cir 120v C - canopy B - busway CCL - C-clamp ____ (other)	120

Example: TBI-250-PAR38-WT-TN3-120

Cat #:

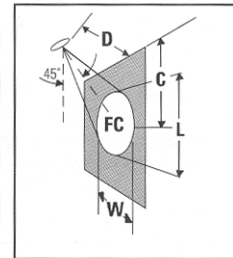
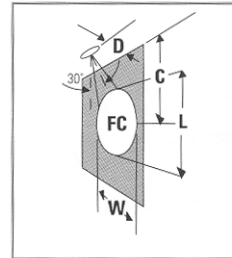
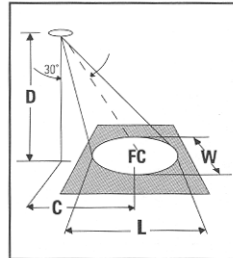
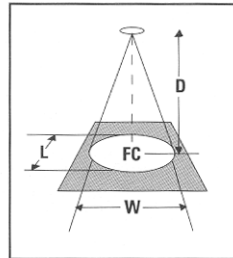
THEATRICAL BELL

250W PAR38 120V INCANDESCENT

TBI
PAR38 120V



TYPE :



Lamp Beam Spread	Rated Life CBCP	0° Aiming Angle				30° Aiming Angle				30° Aiming Angle				45° Aiming Angle			
		D	FC	L	W	D	FC	L	W	D	FC	L	W	D	FC	L	W
90W PAR38 NSP 9°	2500 19500	10	195	1.6	1.6	8	198	1.7	1.5	4	152	2.6	1.3	6	192	1.9	1.3
		15	87	2.4	2.4	12	88	2.5	2.2	6	60	3.8	1.9	9	85	2.9	2.0
		20	49	2.4	2.4	16	49	3.4	2.9	8	38	5.1	2.5	12	48	3.8	2.7
		25	31	3.9	3.9	20	32	4.2	3.6	10	24	6.4	3.1	15	31	4.8	3.3
90W PAR38 SP 12°	2500 14500	8	227	1.7	1.7	7	192	2.0	1.7	3	201	2.6	1.3	5	205	2.1	1.5
		12	101	2.5	2.5	10	94	2.8	2.4	4	113	3.5	1.7	7	105	3.0	2.1
		16	57	3.4	3.4	13	56	3.7	3.2	5	73	4.3	2.1	9	63	3.8	2.7
		20	36	4.2	4.2	16	37	4.5	3.9	6	50	5.2	2.5	11	42	4.7	3.3
90W PAR38 FL 28°	2500 4500	6	125	3.0	3.0	5	117	3.4	2.9	2	141	4.9	2.0	3	177	3.2	2.1
		8	70	4.0	4.0	7	60	4.8	4.0	3	63	7.4	3.0	5	64	5.3	3.5
		10	45	5.0	5.0	9	36	6.1	5.2	4	35	9.8	4.0	7	32	7.4	4.9
		12	31	6.0	6.0	11	24	7.5	6.3	5	23	12.3	5.0	9	20	9.6	6.3
90W PAR38 WFL 60°	2500 1300	3	144	3.5	3.5	3	94	5.2	4.0	1	163	*	2.3	2	115	6.9	3.3
		5	52	5.6	5.6	5	34	6.7	6.7	2	41	*	4.6	3	51	10.4	4.9
		7	27	8.1	8.1	7	17	12.1	9.3	3	16	*	6.9	4	29	13.9	6.5
		9	16	10.4	10.4	9	10	15.6	12.0	4	10	*	9.2	5	18	17.3	8.2
100W PAR38 SP 10° (HIR)	2500 29000	10	290	1.7	1.7	8	294	1.9	1.6	4	227	2.9	1.4	6	285	2.1	1.5
		15	129	2.6	2.6	12	131	2.8	2.4	6	101	4.3	2.1	9	127	3.2	2.2
		20	73	3.5	3.5	16	74	3.7	3.2	8	57	5.7	2.8	12	71	4.2	3.0
		25	46	4.4	4.4	20	47	4.7	4.0	10	36	7.2	3.5	15	46	5.3	3.7
100W PAR38 NFL 27° (HIR)	3000 7500	7	153	3.4	3.4	6	135	3.9	3.3	2	234	4.6	1.9	4	166	4.1	2.7
		10	75	4.8	4.8	9	60	5.9	5.0	3	104	7.0	2.9	6	74	6.1	4.1
		13	44	6.2	6.2	12	34	7.8	6.7	4	59	9.3	3.6	8	41	8.2	5.4
		16	29	7.7	7.7	15	22	9.8	8.3	5	38	11.6	4.8	10	27	10.2	6.8
100W PAR38 FL 40° (HIR)	3000 3400	6	94	4.4	4.4	5	88	5.1	4.2	2	106	9.7	2.9	3	134	5.0	3.1
		8	53	5.8	5.8	7	45	7.1	5.9	3	47	14.5	4.4	5	48	8.4	5.1
		10	34	7.3	7.3	9	27	9.1	7.8	4	27	19.3	5.8	7	25	11.7	7.2
		12	24	8.7	8.7	11	18	11.2	9.2	5	17	24.2	7.3	9	15	15.1	9.3
250W PAR38 SP10°	4200 40000	15	178	2.9	2.9	10	260	2.6	2.2	5	200	4.0	1.9	8	221	3.1	2.2
		20	100	3.9	3.9	15	115	3.9	3.3	8	78	6.3	3.1	12	98	4.7	3.3
		25	64	4.8	4.8	20	65	5.2	4.4	11	41	8.7	4.2	16	55	6.2	4.4
		30	44	5.8	5.8	25	42	6.4	5.6	14	26	11.1	5.4	20	35	7.8	5.4
250W PAR38 FL30°	4200 9000	7	163	4.0	4.0	6	144	2.6	2.2	2	250	6.1	2.3	4	177	5.0	3.2
		10	80	5.7	5.7	9	64	3.9	3.3	3	111	9.1	3.4	6	79	7.5	4.9
		13	47	7.5	7.5	12	36	5.2	4.4	4	63	12.2	4.6	8	44	10.0	5.5
		16	31	9.2	9.2	15	23	6.4	5.6	5	40	15.2	5.7	10	28	12.5	8.1

Lamp data shown is typical, and is based on bare lamp photometrics. Contact lamp manufacturer for availability and performance.

*Exceeds useable limits.

D - distance to fixture from wall or floor.

FC - initial footcandles at center of beam.

L - beam length where the candlepower is reduced to 50% of the CBCP.

W - beam width where the candlepower is reduced to 50% of the CBCP.