

# IMPERIA SURFACE MOUNT T4 METAL HALIDE

IM-SM  
T4 MH

**APPLICATION:**

Retail and commercial accent and display lighting

**CONSTRUCTION:**

Die-cast aluminum lamp housing  
Screw on/off lens cartridge accepts up to 2 forms of media  
Aluminum yoke  
Steel mounting frame and mounting bars  
Powder coat paint

**OPTICS:**

High performance specular aluminum reflector  
Specially designed for T4 MH lamps offering a wide choice of beam spreads  
90° tilt, 358° rotation  
Locking vertical adjustment

**MOUNTING:**

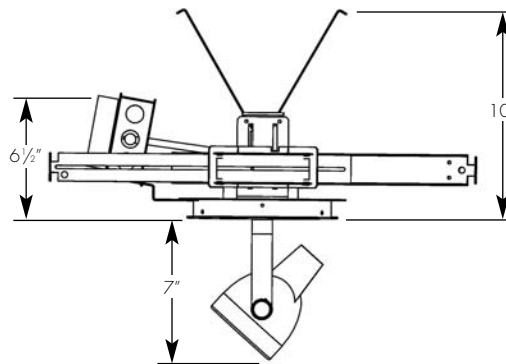
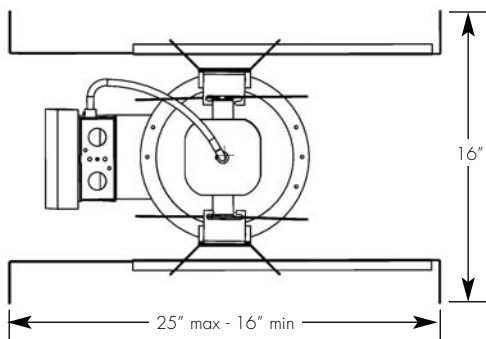
For use in T-grid or sheet rock ceilings

**LABELING:**

UL and CUL listed  
Damp location



PROJECT :  
  
TYPE :



Ceiling cut out dimension: 6 3/4"

**ELECTRICAL**

| Ballast    | Voltage | Lamping    |       |            |       |            |       |
|------------|---------|------------|-------|------------|-------|------------|-------|
|            |         | 20w        |       | 39w        |       | 70w        |       |
|            |         | Input wáts | Amps* | Input wáts | Amps* | Input wáts | Amps* |
| Electronic | 120v    | 23         | .20   | 44         | .37   | 79         | .67   |
|            | 277v    | 22         | .09   | 46         | .17   | 79         | .29   |

\*Data is for open circuit current  
T4 G8.5 base metal halide, 20w, 39w and 70w

Amerlux reserves the right to change details that do not affect overall function and performance.



**ORDERING INFORMATION:**

| Model | Wattage        | Lamp Type | Ballast        | Finish                                     | Voltage  | Beam Spreads  | Options/ Accessories  |
|-------|----------------|-----------|----------------|--|--|---|---|
| IM-SM | 20<br>39<br>70 | T4        | E - electronic | WT - white<br>textured<br>-<br>[other RAL] | 120 (20w)<br>277 (20w)<br>120/277U (39w & 70w) | CL - spot<br>VNF - very narrow flood<br>NF - narrow flood<br>FL - flood<br>WF - wide flood<br>SL - linear spread lens | SUN - sunrise optic reflector<br>GOLD - ferric gold optic reflector<br>HEX - hexcell louver (1/8" x 1/8")<br>SN - snoot, 3/4", specify finish |

Example: IM-SM-39-T4-E-WT-120/277U-FL

Cat #:

# IMPERIA SURFACE MOUNT T4 METAL HALIDE

IM-SM  
T4 MH



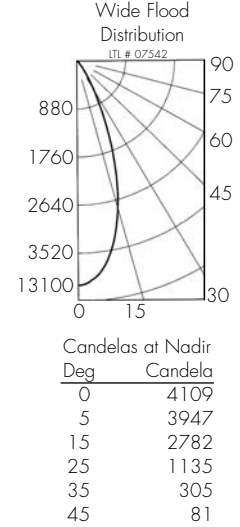
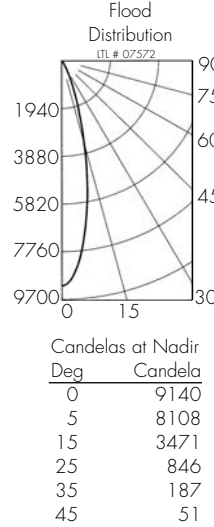
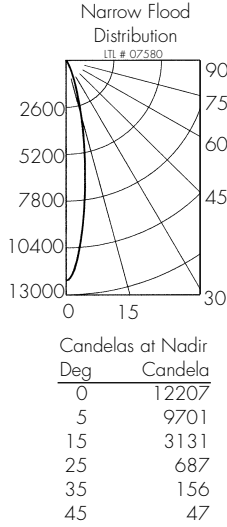
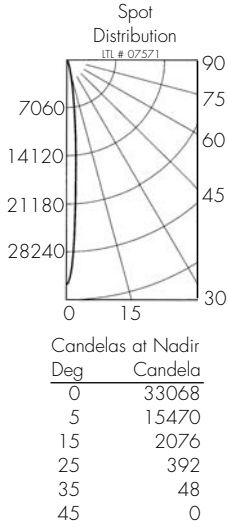
TYPE :



**FIXTURE DATA:** For 20w data, multiply by .51; For 70w data, multiply by 1.9

Complete photometric data (.ies format) available upon request.

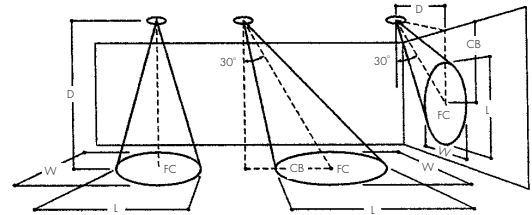
**39W T4 MH**



**APPLICATION DATA:**

**Notes and Definitions:**

Beam spread is to 50% center beam candlepower (CBCP).  
 D=Distance to floor or wall.  
 FC=Footcandles on floor or wall at center beam aiming location.  
 L=Effective Visual Beam length in feet (50% of maximum footcandle level).  
 W=Effective Visual Beam width in feet (50% of maximum footcandle level).  
 CB=Distance across or down to center beam location.



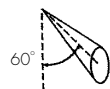
0° Aiming Angle  
Horizontal  
Footcandles



30° Aiming Angle  
Horizontal  
Footcandles



30° Aiming Angle  
Vertical  
Footcandles



60° Aiming Angle  
Vertical  
Footcandles

|              | D     | FC   | L   | W   | CB | 30° Aiming Angle Horizontal Footcandles |     |     |     |     | 30° Aiming Angle Vertical Footcandles |     |     |     |     | 60° Aiming Angle Vertical Footcandles |      |     |     |     |
|--------------|-------|------|-----|-----|----|---|-----|-----|-----|-----|---------------------------------------|-----|-----|-----|-----|---------------------------------------|------|-----|-----|-----|
|              |       |      |     |     |    | D                                       | FC  | L   | W   | CB  | D                                     | FC  | L   | W   | CB  | D                                     | FC   | L   | W   | CB  |
| SPOT         | 5.0'  | 1322 | 1.1 | 1.1 |    | 5.0'                                    | 858 | 1.3 | 1.2 | 2.9 | 3.0'                                  | 459 | 2.1 | 1.0 | 4.8 | 3.0'                                  | 2346 | 0.7 | 0.6 | 1.8 |
|              | 7.5'  | 587  | 1.4 | 1.4 |    | 7.5'                                    | 382 | 1.7 | 1.5 | 4.3 | 4.0'                                  | 267 | 2.7 | 1.4 | 6.8 | 4.0'                                  | 1337 | 0.9 | 0.8 | 2.2 |
|              | 10.0' | 330  | 1.7 | 1.7 |    | 10.0'                                   | 214 | 2.2 | 1.9 | 5.8 | 5.0'                                  | 173 | 3.3 | 1.7 | 8.3 | 5.0'                                  | 841  | 1.2 | 1.0 | 2.7 |
|              | 12.5' | 211  | 2.0 | 2.0 |    | 12.5'                                   | 137 | 2.9 | 2.5 | 7.2 | 6.0'                                  | 119 | 4.0 | 2.0 | 9.8 | 6.0'                                  | 566  | 1.4 | 1.2 | 3.2 |
| NARROW FLOOD | 5.0'  | 488  | 1.7 | 1.7 |    | 5.0'                                    | 317 | 2.3 | 1.9 | 2.9 | 3.0'                                  | 203 | 3.3 | 1.9 | 4.2 | 3.0'                                  | 868  | 1.4 | 1.2 | 1.7 |
|              | 7.5'  | 217  | 2.6 | 2.6 |    | 7.5'                                    | 140 | 3.4 | 3.0 | 4.3 | 4.0'                                  | 114 | 4.4 | 2.5 | 5.8 | 4.0'                                  | 497  | 1.8 | 1.6 | 2.2 |
|              | 10.0' | 122  | 3.4 | 3.4 |    | 10.0'                                   | 79  | 4.4 | 3.8 | 5.8 | 5.0'                                  | 73  | 5.5 | 3.2 | 7.3 | 5.0'                                  | 318  | 2.2 | 1.9 | 2.7 |
|              | 12.5' | 78   | 4.2 | 4.2 |    | 12.5'                                   | 51  | 5.5 | 4.8 | 7.2 | 6.0'                                  | 51  | 6.6 | 3.8 | 8.8 | 6.0'                                  | 221  | 2.7 | 2.3 | 3.2 |
| FLOOD        | 5.0'  | 364  | 2.2 | 2.2 |    | 5.0'                                    | 237 | 2.8 | 2.5 | 2.9 | 3.0'                                  | 175 | 3.5 | 2.2 | 4.3 | 3.0'                                  | 652  | 1.7 | 1.5 | 1.7 |
|              | 7.5'  | 162  | 3.2 | 3.2 |    | 7.5'                                    | 105 | 4.2 | 3.7 | 4.3 | 4.0'                                  | 99  | 4.6 | 2.9 | 2.3 | 4.0'                                  | 375  | 2.2 | 2.0 | 2.3 |
|              | 10.0' | 91   | 4.3 | 4.3 |    | 10.0'                                   | 61  | 5.5 | 4.8 | 4.7 | 5.0'                                  | 63  | 5.8 | 3.7 | 6.2 | 5.0'                                  | 242  | 2.7 | 2.5 | 2.8 |
|              | 12.5' | 59   | 5.3 | 5.3 |    | 12.5'                                   | 39  | 6.7 | 6.0 | 6.2 | 6.0'                                  | 44  | 7.2 | 4.6 | 7.8 | 6.0'                                  | 139  | 3.7 | 3.4 | 3.3 |
| WIDE FLOOD   | 5.0'  | 164  | 3.2 | 3.2 |    | 5.0'                                    | 116 | 3.8 | 3.4 | 1.9 | 3.0'                                  | 108 | 3.4 | 2.7 | 3.2 | 3.0'                                  | 329  | 2.2 | 2.0 | 1.2 |
|              | 7.5'  | 73   | 4.8 | 4.8 |    | 7.5'                                    | 53  | 5.5 | 5.1 | 3.3 | 4.0'                                  | 61  | 4.5 | 3.6 | 4.3 | 4.0'                                  | 184  | 2.9 | 2.7 | 1.7 |
|              | 10.0' | 41   | 6.3 | 6.3 |    | 10.0'                                   | 29  | 7.4 | 7.0 | 4.8 | 5.0'                                  | 39  | 5.7 | 4.6 | 5.2 | 5.0'                                  | 118  | 3.7 | 3.4 | 2.3 |
|              | 12.5' | 26   | 7.9 | 7.9 |    | 12.5'                                   | 19  | 9.1 | 8.6 | 5.2 | 6.0'                                  | 27  | 6.8 | 5.5 | 6.3 | 6.0'                                  | 82   | 4.4 | 4.1 | 2.7 |