

IMPERIA T4 WALL WASH

SURFACE MOUNT T4 METAL HALIDE

IMW-SM
T4 MH

APPLICATION:

Retail and commercial wall wash applications

CONSTRUCTION:

Die-cast aluminum lamp housing
Captive lamp housing door with locking knob permits hands-free relamping
Aluminum yoke
Steel mounting frame and mounting bars
Powder coat paint

OPTICS:

High performance formed aluminum textured reflector
Specially designed for T4 MH lamps
90° tilt, 358° rotation
Locking vertical adjustment

MOUNTING:

For use in T-grid or sheet rock ceiling

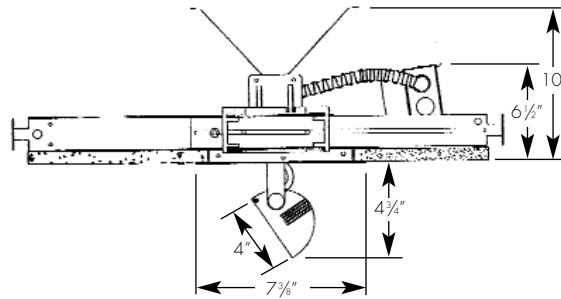
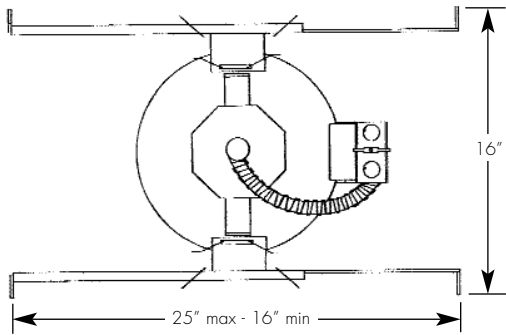
LABELING:

UL and CUL listed
Damp location



PROJECT:

TYPE:



Ceiling cut out dimension: 6 3/4"

ELECTRICAL

Ballast	Voltage	Lamping					
		20w		39w		70w	
		Input watts	Amps*	Input watts	Amps*	Input watts	Amps*
Electronic	120v	23	.20	44	.37	79	.67
	277v	22	.09	46	.17	79	.29

*Data is for open circuit current

T4 G8.5 base metal halide 20w, 39w, and 70w

Amerlux reserves the right to change details that do not affect overall function and performance.



ORDERING INFORMATION:

Model	Wattage	Lamp Type	Ballast	Finish	Voltage	Beam Spreads	Options/ Accessories
IMW-SM	20 39 70	T4	E - electronic	WT - white textured - (other RAL)	120 (20w) 277 (20w) 120/277U (39w & 70w)	WW - wall wash	SUN - sunrise optic reflector GOLD - ferric gold optic reflector

Example: IMW-SM-39-T4-E-WT-120/277U-WW

Cat #:

IMPERIA T4 WALL WASH

SURFACE MOUNT T4 METAL HALIDE

IMW-SM
T4 MH



TYPE :



FIXTURE DATA: For 20w data, multiply by .51; For 70w data, multiply by 1.9

Complete photometric data (.ies format) available upon request.

IMPERIA T4 WALL WASH 39W

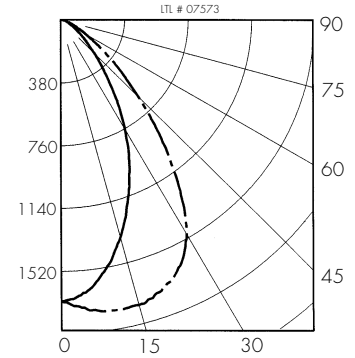
Lamp: Philips CDM/35/TC/830 Lamp Lumens: 3300

Surface Mounting

ZONAL LUMEN SUMMARY

Zone	Lumens	%Lamp	%Fixt
0-30	1126	34.1	51.4
0-40	1609	48.8	73.5
0-60	2071	62.7	94.6
0-90	2190	66.4	100.0
90-180	0	0.0	0.0
0-180	2190	66.4	100.0

Total Luminaire Efficiency = 66.4%



APPLICATION DATA:

Footcandles on Wall

Footcandles are average and rounded off.
Data for multiple units are based on a minimum of five units.

3 Feet From Wall

Distance From Ceiling	1'	2'	3'	4'	5'	6'	7'	8'	9'
1'	40	32	22	26	38	40			
2'	67	57	43	49	65	67			
3'	64	60	54	56	64	64			
4'	51	50	50	49	51	51			
5'	38	39	41	39	39	39			
6'	29	30	31	30	30	29			
7'	23	23	24	24	23	23			
8'	19	19	19	19	19	19			
9'	16	16	16	16	16	16			

4 Feet From Wall

Distance From Ceiling	1'	2'	3'	4'	5'	6'	7'	8'	9'
1'	20	18	14	13	16	19	20		
2'	34	31	25	23	29	33	34		
3'	41	39	35	33	37	41	40		
4'	39	38	37	37	38	39	39		
5'	34	34	35	34	34	34	34		
6'	28	29	30	29	29	28	28		
7'	24	24	25	25	24	24	23		
8'	20	20	20	21	20	20	20		
9'	17	17	17	18	17	17	17		

4 Feet From Wall

Distance From Ceiling	1'	2'	3'	4'	5'	6'	7'	8'	9'
1'	27	24	18	17	22	26	27		
2'	44	39	32	30	37	43	44		
3'	48	45	41	39	44	48	48		
4'	43	42	41	40	41	43	43		
5'	36	35	36	36	35	36	36		
6'	29	29	30	30	29	29	28		
7'	23	23	24	24	23	23	23		
8'	19	19	19	20	19	19	19		
9'	16	16	16	16	16	16	16		