

IMPERIA T6 ZOOM SPOT

T6 METAL HALIDE

IMZ
T6 MH

APPLICATION:

Retail and commercial accent and display lighting

CONSTRUCTION:

Die-cast aluminum lamp housing and base with no exposed hardware
Extruded aluminum ballast housing
On/off lens cartridge allows for easy relamping
Powder coat paint
Comfort snoot provides simple press and rotate adjustment and additional shielding

OPTICS:

Adjustable narrow and wide range optics from high performance specular fluted, faceted and peened aluminum reflectors
Specially designed for T6 MH lamps
90° tilt, 358° rotation
Vertical aiming angle indicator
Locking vertical adjustment

MOUNTING:

Available for track, canopy or busway

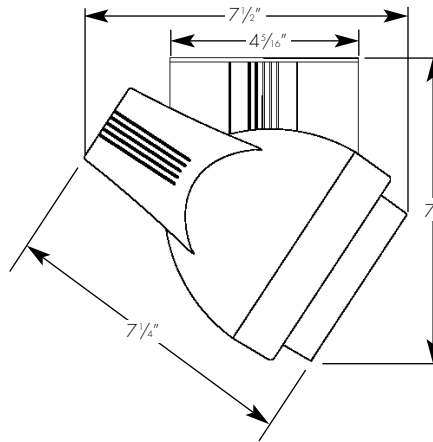
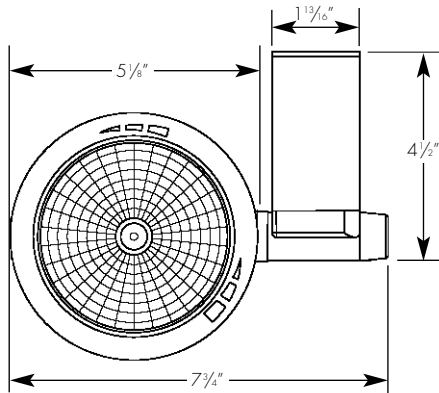
LABELING:

cUL listed



PROJECT:

TYPE:



ELECTRICAL

Ballast	Voltage	Lamping			
		39w		70w	
		Input watts	Amps*	Input watts	Amps*
Electronic	120v	44	.37	79	.67
	277v	46	.17	79	.29

*Data is for open circuit current
T6 G12 base metal halide, 39w and 70w

Amerlux reserves the right to change details that do not affect overall function and performance.

Imperia is also available in T4 lamping.
See specific Imperia T4 specification sheets for details.



ORDERING INFORMATION:

Model	Wattage	Lamp Type	Ballast	Finish	Mounting	Voltage	Optics	Reflector Type	Options/Accessories
IMZ	39 70	T6	E - electronic	WT - white textured BT - black textured ST - silver textured - (other RAL)	TN1 - Global 1cir 120v TEK - Global 2cir/2neut 120v TN3 - Global 3cir 120v TN2 - Global 2cir/2neut 277v C - canopy B - busway CCL - C-clamp - (other)	120 277	Z - Zoom field adjustable F - factory set	N - narrow (12°-24°) W - wide (30°-55°) CL - spot NF - narrow flood FL - flood WF - wide flood VWF - very wide flood SL - linear spread lens	GOLD - ferric gold optic reflector DB2690 - DB2690 optic reflector HEX - hexcell louver (1/8" x 1/8")

Field Adjustable Example: IMZ-39-T6-E-ST-TN1-120-ZN

Factory Set Example: IMZ-39-T6-E-ST-TN1-120-F-FL

Cat #:

IMPERIA T6 ZOOM SPOT

T6 METAL HALIDE

IMZ
T6 MH



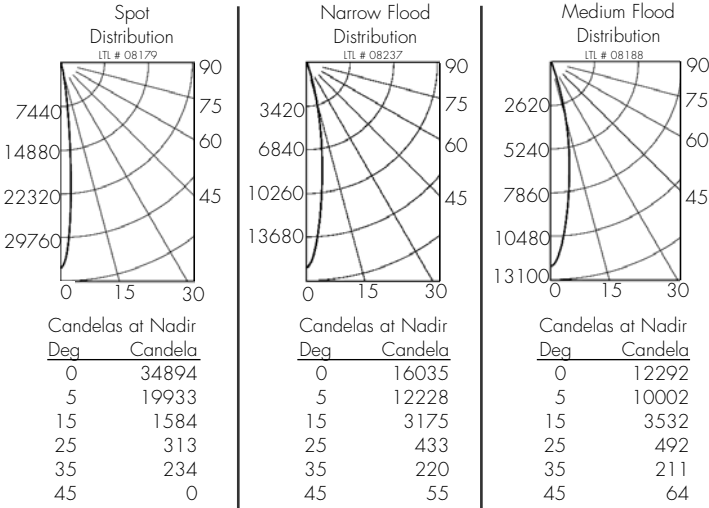
TYPE :



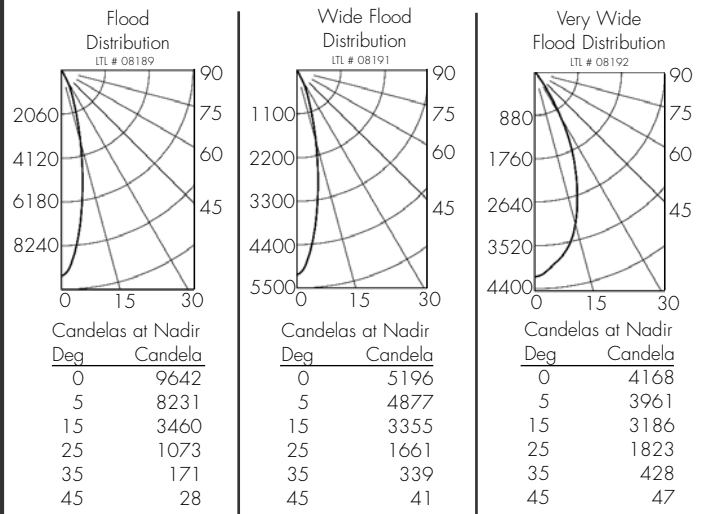
FIXTURE DATA: For 70w data, multiply by 1.9

Complete photometric data (.ies format) available upon request.

T6 ZOOM 39W NARROW BEAM



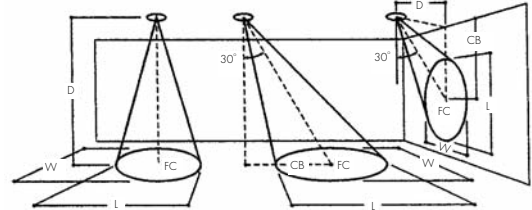
T6 ZOOM 39W WIDE BEAM



APPLICATION DATA:

Notes and Definitions:

Beam spread is to 50% center beam candlepower (CBCP).
 D=Distance to floor or wall.
 FC=Footcandles on floor or wall at center beam aiming location.
 L=Effective Visual Beam length in feet (50% of maximum footcandle level).
 W=Effective Visual Beam width in feet (50% of maximum footcandle level).
 CB=Distance across or down to center beam location.



0° Aiming Angle
Horizontal
Footcandles



30° Aiming Angle
Horizontal
Footcandles



30° Aiming Angle
Vertical
Footcandles



60° Aiming Angle
Vertical
Footcandles

Beam Type	Dist (ft)	FC	L	W	CB	0° Aiming Angle					30° Aiming Angle					60° Aiming Angle				
						D	FC	L	W	CB	D	FC	L	W	CB	D	FC	L	W	CB
T6 ZOOM 39W NARROW BEAM	SPOT	5.0'	1395	1.1	1.1	5.0'	905	1.3	1.2	2.9	3.0'	526	2.2	1.1	4.7	3.0'	2484	0.8	0.7	1.8
		7.5'	620	1.4	1.4	7.5'	403	2.0	1.6	4.3	4.0'	293	2.9	1.6	6.2	4.0'	1423	1.4	0.9	2.3
		10.0'	348	1.9	1.9	10.0'	226	2.7	2.4	5.6	5.0'	187	3.6	1.9	8.2	5.0'	908	1.3	1.2	2.7
		12.5'	223	2.5	2.5	12.5'	145	3.3	2.9	7.2	6.0'	131	4.3	2.3	9.8	6.0'	622	1.6	1.4	3.3
T6 ZOOM 39W NARROW BEAM	NARROW FLOOD	5.0'	641	1.5	1.5	5.0'	417	2.1	1.7	2.9	3.0'	255	3.1	1.8	4.2	3.0'	1139	1.2	1.1	1.8
		7.5'	285	2.4	2.4	7.5'	185	3.1	2.7	4.4	4.0'	144	4.1	2.4	5.7	4.0'	650	1.7	1.5	2.3
		10.0'	160	3.2	3.2	10.0'	104	4.1	3.6	5.8	5.0'	93	5.1	2.9	7.2	5.0'	415	2.0	1.8	2.8
		12.5'	102	3.8	3.8	12.5'	67	5.1	4.4	7.2	6.0'	64	6.2	3.5	8.8	6.0'	288	2.5	2.2	3.2
T6 ZOOM 39W NARROW BEAM	MEDIUM FLOOD	5.0'	491	1.8	1.8	5.0'	319	2.4	2.1	2.9	3.0'	209	3.3	2.0	4.3	3.0'	874	1.4	1.3	1.8
		7.5'	218	2.8	2.8	7.5'	141	3.6	3.2	4.3	4.0'	117	4.4	2.7	5.7	4.0'	501	1.9	1.7	2.2
		10.0'	122	3.6	3.6	10.0'	80	4.7	4.2	5.7	5.0'	75	5.5	3.4	6.7	5.0'	321	2.4	2.1	2.7
		12.5'	79	4.5	4.5	12.5'	51	5.9	5.2	7.2	6.0'	52	6.6	4.0	8.2	6.0'	223	2.8	2.5	3.2
T6 ZOOM 39W WIDE BEAM	FLOOD	5.0'	385	2.0	2.0	5.0'	250	2.7	2.4	2.9	3.0'	173	3.7	2.2	4.3	3.0'	687	1.6	1.4	1.7
		7.5'	171	3.1	3.1	7.5'	111	4.0	3.5	4.3	4.0'	99	4.8	2.9	5.2	4.0'	394	2.1	1.9	2.2
		10.0'	96	4.0	4.0	10.0'	63	5.3	4.6	5.8	5.0'	63	6.0	3.6	6.7	5.0'	254	2.6	2.3	2.8
		12.5'	62	5.0	5.0	12.5'	41	6.5	5.7	6.2	6.0'	44	7.2	4.3	7.8	6.0'	177	3.1	2.8	3.2
T6 ZOOM 39W WIDE BEAM	WIDE FLOOD	5.0'	207	3.1	3.1	5.0'	140	3.9	3.4	1.9	3.0'	130	3.7	2.8	3.3	3.0'	400	2.3	2.0	1.3
		7.5'	92	4.6	4.6	7.5'	64	5.6	5.2	3.3	4.0'	74	4.9	3.8	4.3	4.0'	226	2.9	2.8	1.7
		10.0'	52	6.2	6.2	10.0'	36	7.5	6.9	4.8	5.0'	47	6.1	4.7	5.2	5.0'	145	3.7	3.4	2.2
		12.5'	33	7.6	7.6	12.5'	23	9.4	8.7	6.2	6.0'	33	7.3	5.6	6.2	6.0'	100	4.5	4.2	2.8
T6 ZOOM 39W WIDE BEAM	VERY WIDE FLOOD	5.0'	166	3.7	3.7	5.0'	121	4.1	3.9	1.9	3.0'	127	3.4	3.0	2.8	3.0'	335	2.5	2.4	1.2
		7.5'	74	5.5	5.5	7.5'	53	6.2	5.9	2.4	4.0'	72	4.5	4.0	3.7	4.0'	187	3.3	3.2	1.3
		10.0'	42	7.3	7.3	10.0'	31	8.2	7.9	3.7	5.0'	46	5.6	5.0	4.7	5.0'	121	4.1	4.0	1.8
		12.5'	7	9.1	9.1	12.5'	19	10.3	9.9	4.2	6.0'	32	6.7	6.0	5.7	6.0'	85	4.9	4.8	2.2