

IMPERIA T6 WALL WASH

T6 METAL HALIDE

IMZW
T6 MH

APPLICATION:

Retail and commercial wall wash applications

CONSTRUCTION:

Die-cast aluminum lamp housing and base
Extruded aluminum ballast housing
Captive lamp housing door with locking knob permits hands-free relamping
Powder coat paint

OPTICS:

High performance formed aluminum textured reflector
Specially designed for T6 MH lamps
90° tilt, 358° rotation
Vertical aiming angle indicator
Locking vertical adjustment

MOUNTING:

Available for track, canopy or busway

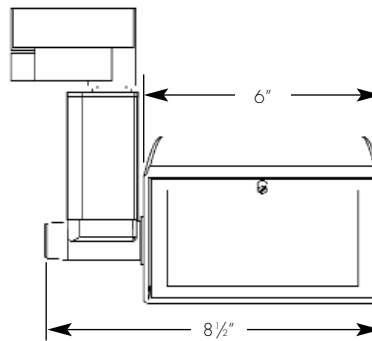
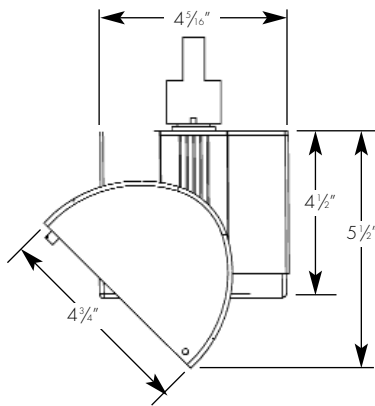
LABELING:

cUL listed



PROJECT:

TYPE:



ELECTRICAL

Ballast	Voltage	Lamping			
		39w		70w	
		Input watts	Amps*	Input watts	Amps*
Electronic	120v	44	.37	79	.67
	277v	46	.17	79	.29

*Data is for open circuit current
T6 G12 base metal halide, 39w and 70w

Amerlux reserves the right to change details that do not affect overall function and performance.

Imperia is also available in T4 lamping.
See specific Imperia T4 specification sheets for details.



ORDERING INFORMATION:

Model	Wattage	Lamp Type	Ballast	Finish	Mounting	Voltage	Beam Spreads	Options/ Accessories
IMZW	39 70	T6	E - electronic	WT - white textured BT - black textured ST - silver textured - (other RAL)	TN1 - Global 1cir 120v TEK - Global 2cir/2neut 120v TN3 - Global 3cir 120v TN2 - Global 2cir/2neut 277v C - canopy B - busway CCL - C-clamp - (other)	120 277	WW - wall wash	GOLD - ferric gold optic reflector DB2690 - DB2690 optic reflector VISOR - angled visor provides additional shielding and beam cut off, specify finish CB - cross blade, 1" deep

Example: IMZW-39-T6-E-WT-TN1-120-WW

Cat #:

IMPERIA T6 WALL WASH

T6 METAL HALIDE

IMZW
T6 MH



TYPE :



FIXTURE DATA: For 70w data, multiply by 1.9

Complete photometric data (.ies format) available upon request.

IMPERIA T6 WALL WASH 39W

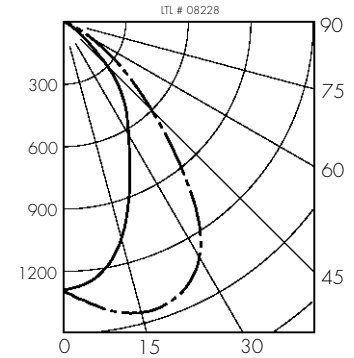
Lamp: Philips CDM/35/T6/830 Lamp Lumens: 3400

Track Mounting

ZONAL LUMEN SUMMARY

Zone	Lumens	%Lamp	%Fixt
0-30	929	27.3	49.0
0-40	1375	40.4	72.5
0-60	1829	53.8	96.4
0-90	1896	55.8	100.0
90-180	0	0.0	0.0
0-180	1896	55.8	100.0

Total Luminaire Efficiency = 55.8%



APPLICATION DATA:

Footcandles on Wall

Track 3 Feet From Wall

Distance From Ceiling	5'					
	1'	69	62	51	53	64
2'	76	72	64	65	73	76
3'	62	61	59	59	61	62
4'	44	44	44	44	44	44
5'	30	30	30	30	30	30
6'	21	21	21	21	21	21
7'	15	15	15	15	15	15
8'	12	12	12	12	12	12
9'	9	9	9	9	9	9

Track 4 Feet From Wall

Distance From Ceiling	6'						
	1'	61	59	51	48	53	60
2'	62	60	55	52	56	61	62
3'	49	49	47	46	47	49	49
4'	35	35	35	34	34	34	34
5'	24	24	24	24	23	23	23
6'	16	16	16	16	16	16	16
7'	12	12	12	12	12	12	12
8'	9	9	9	9	9	9	9
9'	7	7	7	7	7	7	7

Track 4 Feet From Wall

Distance From Ceiling	6'						
	1'	54	52	46	42	47	52
2'	58	57	53	50	53	57	58
3'	50	49	49	47	48	49	50
4'	37	37	37	37	37	37	37
5'	26	26	26	26	26	26	26
6'	19	19	19	19	19	19	19
7'	14	14	14	14	14	14	14
8'	10	10	10	10	10	10	10
9'	8	8	8	8	8	8	8

Footcandles are average and rounded off.
Data for multiple units are based on a minimum of five units.