

IMPERIA T6 WALL WASH

SURFACE MOUNT T6 METAL HALIDE

IMZW-SM
T6 MH

APPLICATION:

Retail and commercial wall wash applications

MOUNTING:

For use in T-grid or sheet rock ceilings

CONSTRUCTION:

Die-cast aluminum lamp housing
Aluminum yoke
Steel mounting frame and mounting bars
Captive lamp housing door with locking knob permits hands-free relamping
Powder coat paint

LABELING:

UL and CUL listed
Damp location

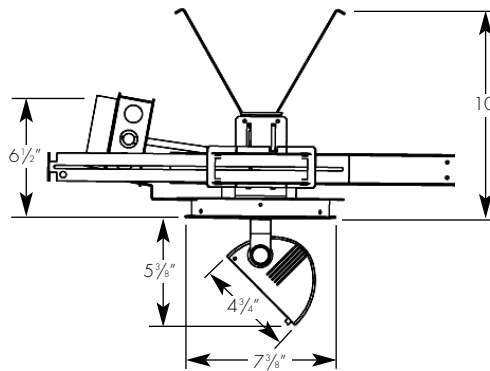
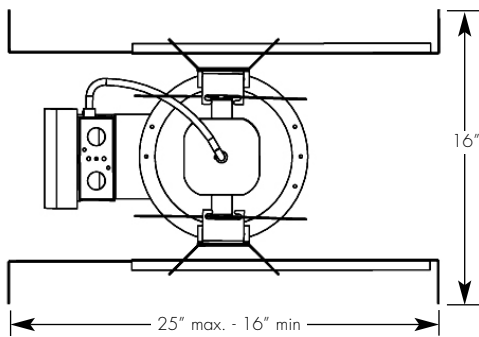
OPTICS:

High performance formed aluminum textured reflector
Specially designed for T6 MH lamps
90° tilt, 358° rotation
Locking vertical adjustment



PROJECT:

TYPE:



Ceiling cut out dimension: 6 3/4"

ELECTRICAL

Ballast	Voltage	Lamping			
		39w		70w	
		Input watts	Amps*	Input watts	Amps*
Electronic	120v	44	.37	79	.67
	277v	46	.17	79	.29

*Data is for open circuit current
T6 G12 base metal halide, 39w and 70w

Amerlux reserves the right to change details that do not affect overall function and performance.

Imperia is also available in T4 lamping.
See specific Imperia T4 specification sheets for detail



ORDERING INFORMATION:

Model	Wattage	Lamp Type	Ballast	Finish	Voltage	Beam Spreads	Options/ Accessories
IMZW-SM	39 70	T6	E - electronic	WT - white textured - (other RAL)	120/277U	WW - wall wash	SUN - sunrise optic reflector GOLD - ferric gold optic reflector VISOR - angled visor provides additional shielding and beam cut off, specify finish CB - cross blade, 1" deep

Example: IMZW-SM-39-T6-E-WT-120/277U-WW

Cat #:

IMPERIA T6 WALL WASH

SURFACE MOUNT T6 METAL HALIDE

IMZW-SM

T6 MH



TYPE :



FIXTURE DATA: For 70w data, multiply by 1.9

Complete photometric data (.ies format) available upon request.

IMPERIA T6 WALL WASH 39W

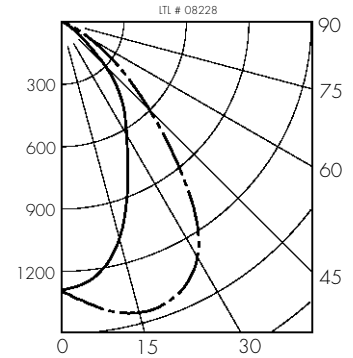
Lamp: Philips CDM/35/T6/830 Lamp Lumens: 3400

Surface Mounting

ZONAL LUMEN SUMMARY

Zone	Lumens	%Lamp	%Fixt
0-30	929	27.3	49.0
0-40	1375	40.4	72.5
0-60	1829	53.8	96.4
0-90	1896	55.8	100.0
90-180	0	0.0	0.0
0-180	1896	55.8	100.0

Total Luminaire Efficiency = 55.8%



APPLICATION DATA:

Footcandles on Wall

3 Feet From Wall

Distance From Ceiling	1'	2'	3'	4'	5'	6'	7'	8'	9'
1'	69	62	51	53	64	69			
2'	76	72	64	65	73	76			
3'	62	61	59	59	61	62			
4'	44	44	44	44	44	44			
5'	30	30	30	30	30	30			
6'	21	21	21	21	21	21			
7'	15	15	15	15	15	15			
8'	12	12	12	12	12	12			
9'	9	9	9	9	9	9			

4 Feet From Wall

Distance From Ceiling	1'	2'	3'	4'	5'	6'	7'	8'	9'
1'	61	59	51	48	53	60	61		
2'	62	60	55	52	56	61	62		
3'	49	49	47	46	47	49	49		
4'	35	35	35	34	34	34	34		
5'	24	24	24	24	23	23	23		
6'	16	16	16	16	16	16	16		
7'	12	12	12	12	12	12	12		
8'	9	9	9	9	9	9	9		
9'	7	7	7	7	7	7	7		

4 Feet From Wall

Distance From Ceiling	1'	2'	3'	4'	5'	6'	7'	8'	9'
1'	54	52	46	42	47	52	54		
2'	58	57	53	50	53	57	58		
3'	50	49	49	47	48	49	50		
4'	37	37	37	37	37	37	37		
5'	26	26	26	26	26	26	26		
6'	19	19	19	19	19	19	19		
7'	14	14	14	14	14	14	14		
8'	10	10	10	10	10	10	10		
9'	8	8	8	8	8	8	8		

Footcandles are average and rounded off.
Data for multiple units are based on a minimum of five units.