

SVA II SHALLOW VERTICALLY ADJUSTABLE

SVA II
ED17 MH

APPLICATION:

Retail and commercial ambient, accent and display lighting

CONSTRUCTION:

Rolled steel housing painted matte black
Stamped steel mounting plate and mounting bars

OPTICS:

Unique spun specular aluminum hammertone reflector
Spun semi-diffuse clear aluminum aperture cone with white flange (standard)
Clear glass lens
Two socket positions allows for flood or wide flood distribution

MOUNTING:

For use in T-grid or sheet rock ceilings

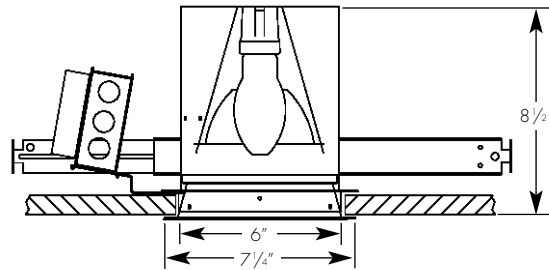
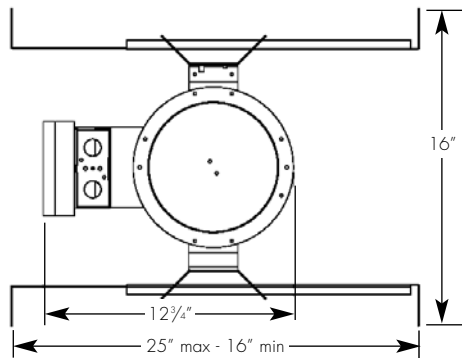
LABELING:

UL and CUL listed
Damp location



PROJECT:

TYPE:



Ceiling cut out dimension: 6 3/4"

ELECTRICAL

Ballast	Voltage	Lamping			
		70w		100w	
		Input watts	Amps*	Input watts	Amps*
Electronic	120v	79	.67	110	.90
	277v	79	.29	110	.41

*Data is for open circuit current
ED-17 medium base metal halide, 70w and 100w

Amerlux reserves the right to change details that do not affect overall function and performance.



ORDERING INFORMATION:

Model	Wattage	Lamp Type	Ballast	Aperture Cone Finish	Trim Finish	Voltage	Beam Spreads	Options/ Accessories
SVA II	70 100	17 - ED17	E - electronic	SD - semi-diffuse	W - white C - clear (same as aperture)	120/277U	FL - flood WF - wide flood	SUN - sunrise optic reflector GOLD - ferric gold optic reflector

Example: SVA II-70-17-E-SD-W-120/277U-FL

Cat #:

SVA II SHALLOW VERTICALLY ADJUSTABLE

SVA II
ED17 MH



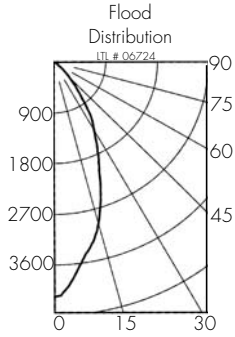
TYPE :



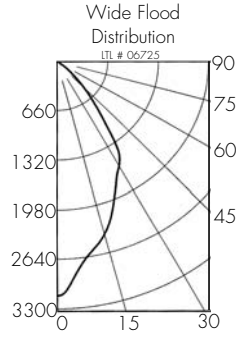
FIXTURE DATA: For 100w data, multiply by 1.5

Complete photometric data (.ies format) available upon request.

70W ED17 MH



Candelas at Nadir	
Deg	Candela
0	4176
5	3838
15	2965
25	1822
35	1021
45	380

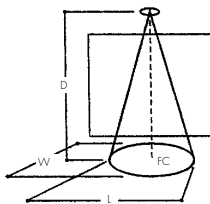


Candelas at Nadir	
Deg	Candela
0	3125
5	2842
15	2384
25	1818
35	1288
45	494

APPLICATION DATA:

Notes and Definitions:

Beam spread is to 50% center beam candlepower (CBCP).
 D=Distance to floor or wall.
 FC=Footcandles on floor or wall at center beam aiming location.
 L=Effective Visual Beam length in feet (50% of maximum footcandle level).
 W=Effective Visual Beam width in feet (50% of maximum footcandle level).
 CB=Distance across or down to center beam location.



	D	FC	L	W
FLOOD	5.0'	167	3.5	3.5
	7.5'	74	5.2	5.2
	10.0'	42	6.9	6.9
	12.5'	28	8.7	8.7
WIDE FLOOD	5.0'	125	4.1	4.1
	7.5'	56	6.1	6.1
	10.0'	31	8.2	8.2
	12.5'	20	10.2	10.2