

SVA II SHALLOW VERTICALLY ADJUSTABLE

SVA II
T6 MH

APPLICATION:

Retail and commercial ambient, accent and display lighting

CONSTRUCTION:

Rolled steel housing painted matte black
Stamped steel mounting plate and mounting bars

OPTICS:

Unique spun specular aluminum hammertone reflector,
Spun semi-diffuse clear aluminum aperture cone with white flange (standard)
Clear glass lens
Two socket positions allows for flood or wide flood distribution

MOUNTING:

For use in T-grid or sheet rock ceilings

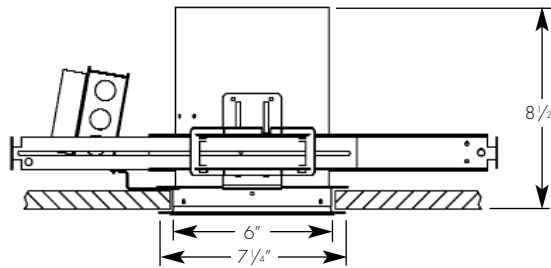
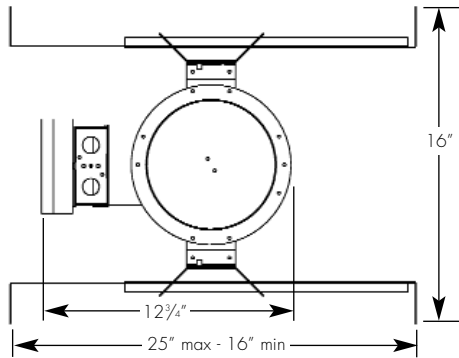
LABELING:

UL and CUL listed
Damp location



PROJECT:

TYPE:



Ceiling cut out dimension: 6 3/4"

ELECTRICAL

		Lamping					
		39w		70w		150w	
Ballast		Input watts	Amps*	Input watts	Amps*	Input watts	Amps*
Electronic	120v	44	.37	79	.67	167	1.4
	277v	46	.17	79	.29	167	.61

*Data is for open circuit current
T6 G12 base metal halide 39w, 70w and 150w

Amerlux reserves the right to change details that do not affect overall function and performance.



ORDERING INFORMATION:

Model	Wattage	Lamp Type	Ballast	Aperture Cone Finish	Trim Finish	Voltage	Beam Spreads	Options/ Accessories
SVA II	39 70 150	T6	E - electronic	SD - semi-diffuse	W - white C - clear (same as aperture)	120/277U (39w, 70w) 120 (150w) 277 (150w)	FL - flood WF - wide flood	SUN - sunrise optic reflector GOLD - ferric gold optic reflector

Example: SVA II-39-T6-E-SD-W-120/277U-FL

Cat #:

SVA II SHALLOW VERTICALLY ADJUSTABLE

SVA II
T6 MH



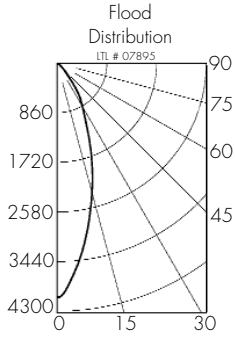
TYPE :



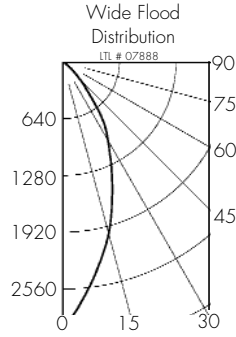
FIXTURE DATA: For 70w data, multiply by 1.9; For 150w data, multiply by 4

Complete photometric data (.ies format) available upon request.

39W T6 MH



Candelas at Nadir	
Deg	Candela
0	4062
5	3602
15	2324
25	1209
35	619
45	160

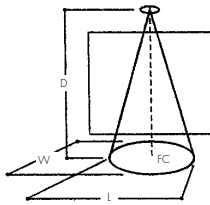


Candelas at Nadir	
Deg	Candela
0	2967
5	2673
15	2003
25	1299
35	771
45	260

APPLICATION DATA:

Notes and Definitions:

Beam spread is to 50% center beam candlepower (CBCP).
 D=Distance to floor or wall.
 FC=Footcandles on floor or wall at center beam aiming location.
 L=Effective Visual Beam length in feet (50% of maximum footcandle level).
 W=Effective Visual Beam width in feet (50% of maximum footcandle level).
 CB=Distance across or down to center beam location.



	D	FC	L	W
FLOOD	5.0'	162	2.8	2.8
	7.5'	72	4.2	4.2
	10.0'	41	5.5	5.5
	12.5'	26	6.9	6.9
WIDE FLOOD	5.0'	118	3.4	3.4
	7.5'	53	5.0	5.0
	10.0'	30	6.7	6.7
	12.5'	19	8.4	8.4