

MURRO II

SURFACE MOUNT T6 METAL HALIDE WALL WASH

MUR II-SM
T6 MH

APPLICATION:

Retail and commercial wall wash applications

CONSTRUCTION:

Die-cast aluminum lamp housing
Aluminum yoke
Steel mounting frame and mounting bars
Captive lamp housing door with locking knob
4KV pulse rated socket
Powder coat paint

OPTICS:

High performance formed aluminum textured reflector
90° tilt, 358° rotation
Locking vertical aiming
Aiming angle indicator

MOUNTING:

For use in T-grid or sheet rock ceilings

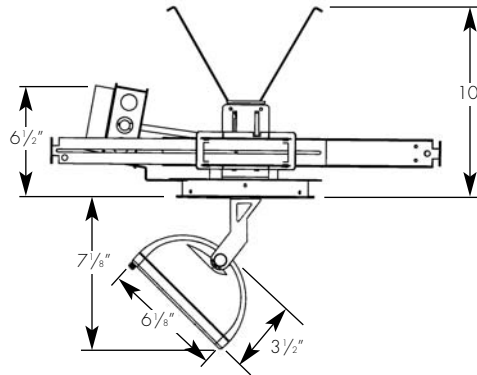
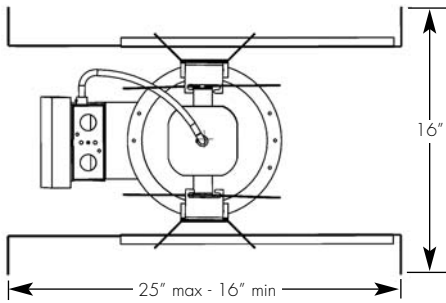
LABELING:

UL and CUL listed
Damp location



PROJECT :

TYPE :



Ceiling cut out dimension: 6 3/4"

ELECTRICAL

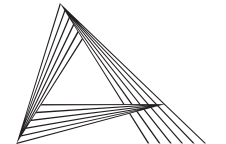
Lamping

Ballast		39w		70w	
		Input watts	Amps*	Input watts	Amps*
Electronic	120v	44	.37	79	.67
	277v	46	.17	79	.29

*Data is for open circuit current
T6 G12 base metal halide, 39w and 70w

Amerlux reserves the right to change details that do not affect overall function and performance.

Murro II-SM is also available in ED17 lamping.
See specific Murro II-SM specification sheets for details.



AMERLUX
LIGHTING SOLUTIONS

ADAPT. ABILITY.™

ORDERING INFORMATION:

Model	Wattage	Lamp Type	Ballast	Finish	Voltage	Beam Spreads	Options/ Accessories
MUR II-SM	39 70	T6	E - electronic	WT - white textured	120/277U	WW - wall wash	SUN - sunrise optic reflector GOLD - ferric gold optic reflector BD - barn doors, specify finish (black standard)

Example: MUR II-SM-39-T6-E-WT-120/277U-WW

Cat #:

MURRO II

SURFACE MOUNT T6 METAL HALIDE WALL WASH

MUR II-SM
T6 MH



TYPE :



FIXTURE DATA: For 70w data, multiply by 1.9

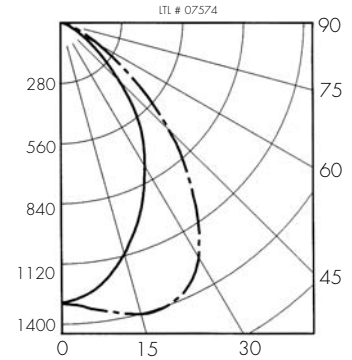
Complete photometric data (.ies format) available upon request.

MURRO II-SM 39W T6 MH
Lamp: Philips CDM35/T6/830 Lamp Lumens: 3400
Surface Mounting

ZONAL LUMEN SUMMARY

Zone	Lumens	%Lamp	%Fixt
0-30	954	28.1	44.4
0-40	1452	42.7	67.5
0-60	2026	59.6	94.2
0-90	2151	63.3	100.0
90-180	0	0.0	0.0
0-180	2151	63.3	100.0

Total Luminaire Efficiency = 63.3%



APPLICATION DATA:

Footcandles on Wall

Footcandles are average and rounded off.
Data for multiple units are based on a minimum of five units.

3 Feet From Wall

Distance From Ceiling	5'					
	1'	2'	3'	4'	5'	6'
1'	33	28	19	19	28	33
2'	64	57	43	43	57	64
3'	62	60	54	54	60	62
4'	50	50	50	50	50	50
5'	40	40	40	40	40	40
6'	31	31	31	32	31	31
7'	24	24	24	24	24	24
8'	19	19	19	19	19	19
9'	16	16	16	16	16	16

4 Feet From Wall

Distance From Ceiling	6'						
	1'	2'	3'	4'	5'	6'	7'
1'	34	31	24	22	26	31	34
2'	44	42	38	34	38	42	43
3'	43	42	41	39	41	42	43
4'	38	38	38	38	38	38	38
5'	32	32	32	32	32	32	32
6'	26	26	26	26	26	26	26
7'	21	21	21	21	21	21	21
8'	17	17	17	17	17	17	17
9'	15	15	15	15	15	15	15

4 Feet From Wall

Distance From Ceiling	8'								
	1'	2'	3'	4'	5'	6'	7'	8'	9'
1'	32	28	21	14	11	14	21	28	32
2'	40	38	30	21	18	21	30	38	40
3'	38	37	32	26	23	26	32	37	38
4'	31	31	29	26	24	26	29	31	31
5'	25	25	24	23	22	23	24	25	25
6'	20	20	20	20	20	20	20	20	20
7'	16	16	16	16	16	16	16	16	16
8'	13	13	13	13	13	13	13	13	13
9'	11	11	11	11	11	11	11	11	11