

MURRO II

SURFACE MOUNT ED-17 METAL HALIDE WALL WASH

MUR II-SM

ED-17 MH

APPLICATION:

Retail and commercial wall wash applications

CONSTRUCTION:

Aluminum yoke
Steel mounting frame and mounting bars
Die-cast aluminum lamp housing
Captive lamp housing door with locking knob
4KV pulse rated socket
Powder coat paint

OPTICS:

High performance formed aluminum textured reflector
90° tilt, 358° rotation
Locking vertical aiming
Aiming angle indicator

MOUNTING:

For use in T-grid or sheet rock ceilings

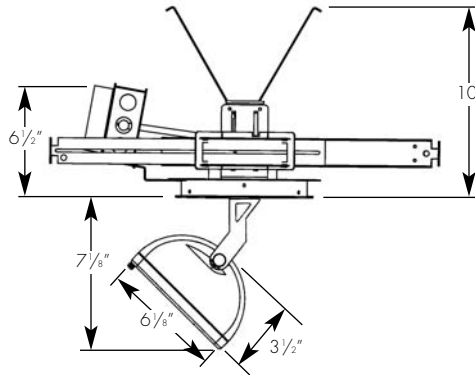
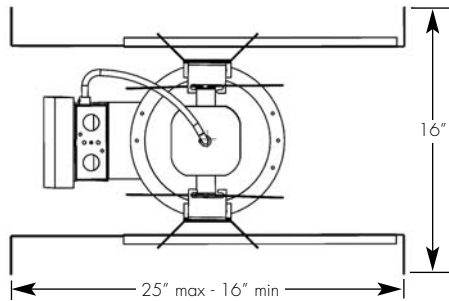
LABELING:

UL and CUL listed
Damp location



PROJECT :

TYPE :



Ceiling cut out dimension: 6 3/4"

ELECTRICAL

Lamping

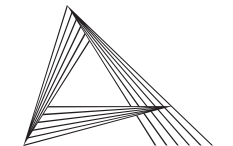
Ballast		70w		100w	
		Input watts	Amps*	Input watts	Amps*
Electronic	120v	79	.67	110	.90
	277v	79	.29	110	.41

*Data is for open circuit current

ED-17 medium base metal halide, 70w and 100w

Amerlux reserves the right to change details that do not affect overall function and performance.

Murro II-SM is also available in T6 lamping.
See specific Murro II-SM specification sheets for details.



AMERLUX
LIGHTING SOLUTIONS

ADAPT. ABILITY.™

ORDERING INFORMATION:

Model	Wattage	Lamp Type	Ballast	Finish	Voltage	Beam Spreads	Options/Accessories
MUR II-SM	70 100	17 - ED-17	E - electronic	WT - white textured	120/277U	WW - wall wash	SUN - sunrise optic reflector GOLD - ferric gold optic reflector BD - barn doors, specify finish (black standard)

Example: MUR II-SM:70-17-E-WT-120/277U-WW

Cat #:

MURRO II

SURFACE MOUNT ED-17 METAL HALIDE WALL WASH

MUR II-SM

ED-17MH



TYPE :



FIXTURE DATA: For 100w data, multiply by 1.5

Complete photometric data (.ies format) available upon request.

MURRO II 70W ED-17 MH

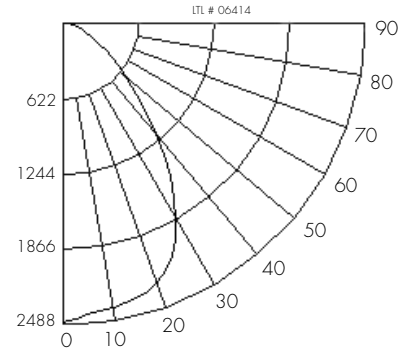
Lamp: Philips MHC70/U/M/3K Lamp Lumens: 6200

Surface Mounting

ZONAL LUMEN SUMMARY

Zone	Lumens	%Lamp	%Fixt
0-30	1851	30.0	38.0
0-40	2916	47.0	60.0
0-60	4381	71.0	90.0
0-90	4843	78.0	100.0
90-180	0	0.0	0.0
0-180	4843	78.0	100.0

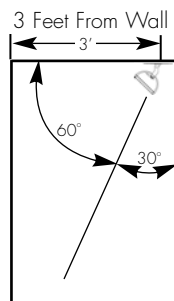
Total Luminaire Efficiency = 78.0%



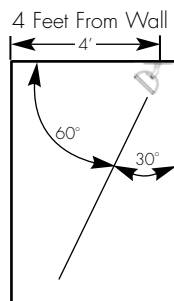
APPLICATION DATA:

Footcandles on Wall

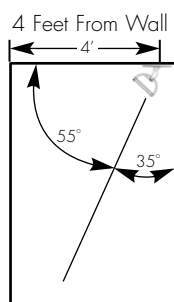
Footcandles are average and rounded off.
Data for multiple units are based on a minimum of five units.



Distance From Ceiling	1'	2'	3'	4'	5'	6'	7'	8'	9'
1'	115	98	56	40	56	98	115		
2'	142	122	80	62	80	122	142		
3'	104	96	76	66	76	96	104		
4'	72	70	61	58	62	70	72		
5'	52	51	49	48	49	51	52		
6'	40	40	39	38	39	40	40		
7'	32	32	32	31	32	32	32		
8'	27	27	27	27	27	27	27		
9'	24	24	24	24	24	24	24		



Distance From Ceiling	1'	2'	3'	4'	5'	6'	7'	8'	9'
1'	76	73	56	48	56	73	76		
2'	101	96	78	68	78	96	101		
3'	90	87	78	73	78	87	90		
4'	71	71	67	66	67	71	71		
5'	56	56	55	54	55	56	56		
6'	46	46	45	45	45	46	46		
7'	37	37	37	37	37	37	37		
8'	32	32	32	32	32	32	32		
9'	27	27	27	27	27	27	27		



Distance From Ceiling	1'	2'	3'	4'	5'	6'	7'	8'	9'
1'	71	67	47	31	25	31	47	67	71
2'	94	87	64	43	36	43	64	87	94
3'	81	76	62	47	42	47	62	76	81
4'	60	58	51	44	41	44	51	58	60
5'	45	45	41	38	37	38	41	45	45
6'	35	35	33	32	32	32	33	35	35
7'	28	28	28	27	27	27	28	28	28
8'	23	23	23	23	23	23	23	23	23
9'	20	20	20	20	20	20	20	20	20