

4 1/2" ROUND ADJUSTABLE T4 METAL HALIDE

RA4
T4 MH

APPLICATION:

Retail and commercial accent and display lighting

MOUNTING:

For use in T-grid or sheet rock ceilings

CONSTRUCTION:

Steel housing painted matte black
Stamped steel mounting plate and mounting bars

LABELING:

UL and CUL listed
Damp location

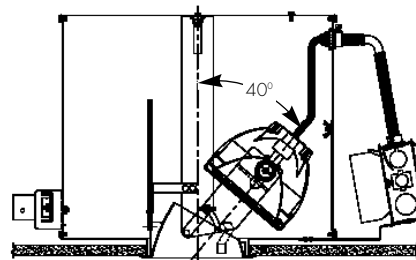
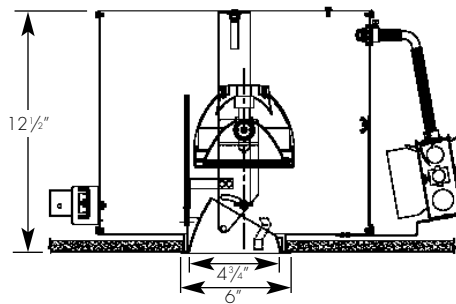
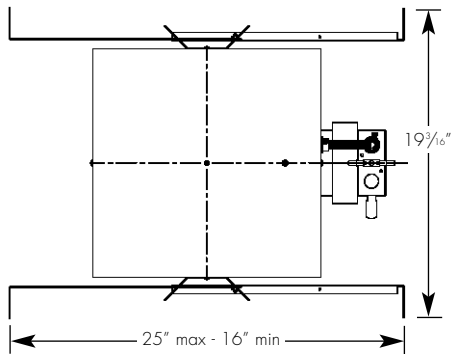
OPTICS:

Spun aluminum fluted and hammertone reflector, specially designed for T4 metal halide lamps
Spun semi-diffuse clear aluminum aperture cone with white flange (standard)
0°-40° lockable tilt, 350° rotation
Glass lens



PROJECT:

TYPE:



ELECTRICAL

Ballast	Voltage	Lamping					
		20w		39w		70w	
		Input wáts	Amps*	Input wáts	Amps*	Input wáts	Amps*
Electronic	120v	23	.20	44	.37	79	.67
	277v	22	.09	46	.17	79	.29

*Data is for open circuit current
T4 G8.5 base metal halide, 20w, 39w and 70w

Ceiling cut out dimension: 5 7/16"

Amerlux reserves the right to change details that do not affect overall function and performance.



ORDERING INFORMATION:

Model	Wattage	Lamp Type	Ballast	Aperture Cone Finish	Trim Finish	Voltage	Beam Spreads	Options/ Accessories
RA4	20 39 70	T4	E - electronic	SD - semi-diffuse	W - white C - clear (same as aperture)	120 (20w) 277 (20w) 120/277U (39w, 70w)	CL - spot NF - narrow flood FL - flood WF - wide flood SL - linear spread lens	SUN - sunrise optic reflector GOLD - ferric gold optic reflector

Example: RA4-39-T4-E-SD-W-120/277U-NF

Cat #:

4 1/2" ROUND ADJUSTABLE T4 METAL HALIDE

RA4
T4 MH



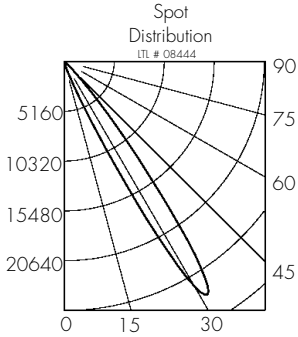
TYPE :



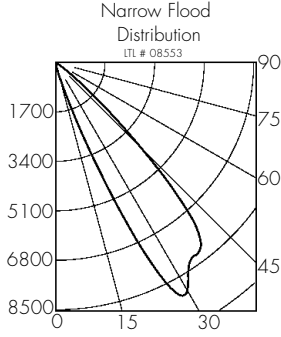
FIXTURE DATA: For 20w data, multiply by .51; For 70w data, multiply by 1.9

Complete photometric data (.ies format) available upon request.

39W T4 MH



Candelas at Nadir			
Deg	Candela	Deg	Candela
0	25	50	356
5	0	55	51
10	102	60	0
15	305	65	0
20	1550	70	0
25	8540	75	0
30	26839	80	0
35	20536	85	0
40	6252	90	0
45	1474		

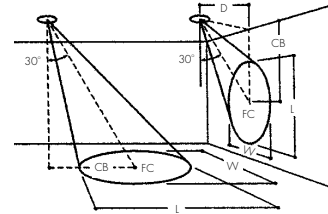


Candelas at Nadir			
Deg	Candela	Deg	Candela
0	50	50	1305
5	39	55	253
10	94	60	32
15	471	65	19
20	2348	70	3
25	7202	75	0
30	9043	80	0
35	8179	85	0
40	7624	90	0
45	4172		

APPLICATION DATA:

Notes and Definitions:

Beam spread is to 50% center beam candlepower (CBCP).
 D=Distance to floor or wall.
 FC=Footcandles on floor or wall at center beam aiming location.
 L=Effective Visual Beam length in feet (50% of maximum footcandle level).
 W=Effective Visual Beam width in feet (50% of maximum footcandle level).
 CB=Distance across or down to center beam location.



30° Aiming Angle
Horizontal
Footcandles



30° Aiming Angle
Vertical
Footcandles

SPOT	D	FC	L	W	CB	D	FC	L	W	CB
		5.0'	709	1.2	1.3	3.0	3.0'	425	2.2	1.3
	7.5'	255	2.3	1.9	5.0	4.0'	265	2.6	1.6	6.0
	10.0'	177	2.5	2.5	6.0	5.0'	167	3.3	2.0	8.0
	12.5'	105	3.2	3.2	7.0	6.0'	118	3.9	2.4	9.0
NARROW FLOOD	D	FC	L	W	CB	D	FC	L	W	CB
	5.0'	222	2.5	2.6	3.0	3.0'	195	3.1	2.3	4.0
	7.5'	109	3.5	3.3	4.0	4.0'	120	3.8	2.7	5.0
	10.0'	59	4.8	5.0	5.0	5.0'	80	4.5	3.2	6.0
	12.5'	38	5.6	6.1	7.0	6.0'	56	5.4	3.9	7.0