

4 1/2" X 6" RECTANGLE DOWNLIGHT

T4 METAL HALIDE

HD46
T4 MH

APPLICATION:

Retail and commercial general lighting

MOUNTING:

For use in T-grid or sheet rock ceilings

CONSTRUCTION:

Steel housing painted matte black
Stamped steel mounting plate and mounting bars

LABELING:

UL and CUL listed
Damp location

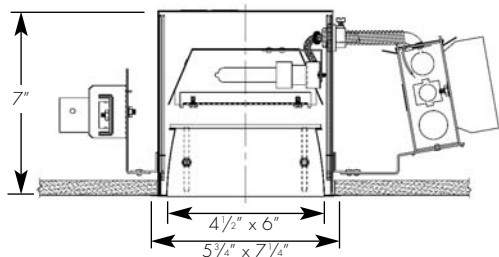
OPTICS:

Formed specular aluminum textured reflector, specially designed for T4 metal halide lamps
Formed semi-diffuse clear aluminum aperture cone with white flange (standard)
Patterned glass lens

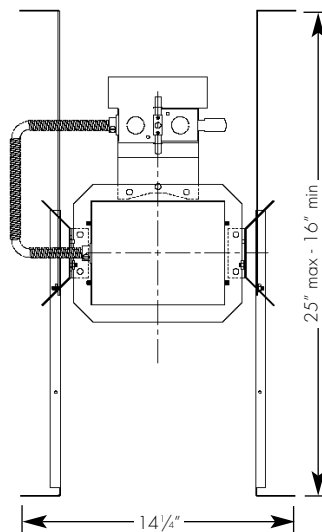


PROJECT:

TYPE:



Ceiling cut out dimension: 5 7/8" x 6 13/16"



ELECTRICAL

Ballast	Voltage	Lamping					
		20w		39w		70w	
		Input wáts	Amps*	Input wáts	Amps*	Input wáts	Amps*
Electronic	120v	23	.20	44	.37	79	.67
	277v	22	.09	46	.17	79	.29

*Data is for open circuit current
T4 G8.5 base metal halide, 20w, 39w and 70w

Amerlux reserves the right to change details that do not affect overall function and performance.



ORDERING INFORMATION:

Model	Wattage	Lamp Type	Ballast	Aperture Cone Finish	Trim Finish	Voltage	Beam Spreads	Options/ Accessories
HD46	20 39 70	T4	E - electronic	SD - semi-diffuse	W - white C - clear (same as aperture)	120 (20w) 277 (20w) 120/277U (39w, 70w)	WF - wide flood	SUN - sunrise optic reflector GOLD - ferric gold optic reflector

Example: HD46-39-T4-E-SD-W-120/277U-WF

Cat #:

4 1/2" X 6" RECTANGLE DOWNLIGHT

T4 METAL HALIDE

HD46

T4 MH



TYPE :



FIXTURE DATA: For 20w data, multiply by .51; For 70w data, multiply by 1.9

Complete photometric data (.ies format) available upon request.

4 1/2" x 6" RECTANGLE DOWNLIGHT 39W T4
 Lamp: Philips CDM/35/TC/830 Lamp Lumens: 3400
 Recessed

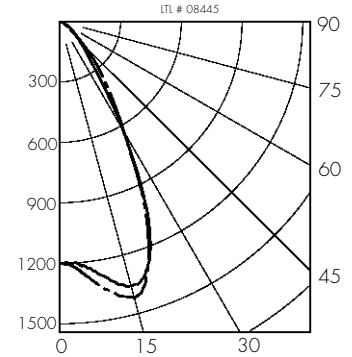
ZONAL LUMEN SUMMARY

Zone	Lumens	%Lamp	%Fixt
0-30	1069	31.4	67.7
0-40	1389	40.9	88.0
0-60	1562	45.9	99.0
0-90	1578	46.4	100.0
90-180	0	0.0	0.0
0-180	1578	46.4	100.0

Total Luminaire Efficiency = 46.4%

SPACING CRITERIA

Degree	
0	1.0
90	1.0
180	1.1



APPLICATION DATA:

MULTIPLE UNIT DATA

On Center Spacing	Initial Footcandles
6'	43
8'	24
10'	17

50' x 50' Room, 80/50/20% Reflectances
 Initial Footcandles = average illuminance on lighted plane
 Ceiling Height = 10'