

# 4 1/2" ROUND ADJUSTABLE

## T6 METAL HALIDE

RA4  
T6 MH

**APPLICATION:**

Retail and commercial accent and display lighting

**MOUNTING:**

For use in T-grid or sheet rock ceilings

**CONSTRUCTION:**

Steel housing painted matte black  
Stamped steel mounting plate and mounting bars

**LABELING:**

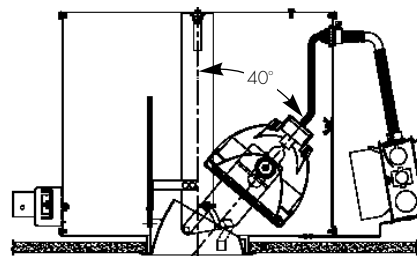
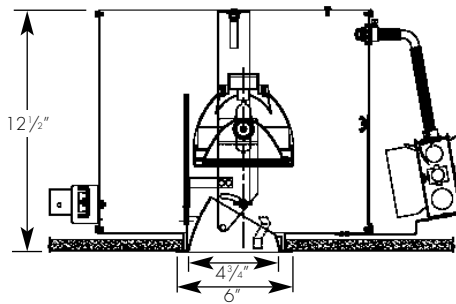
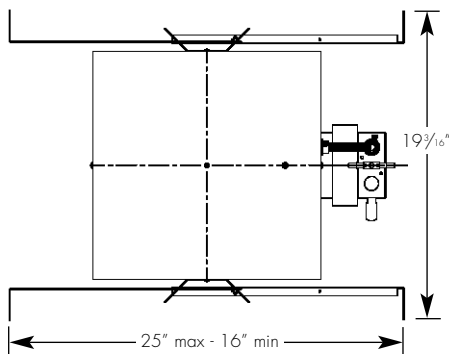
UL and CUL listed  
Damp location

**OPTICS:**

Spun aluminum fluted and hammertone reflector, specially designed for T6 metal halide lamps  
Spun semi-diffuse clear aluminum aperture cone with white flange (standard)  
0-40° lockable tilt, 350° rotation  
Glass lens



PROJECT:  
  
TYPE:



**ELECTRICAL**

Lamping

Ballast	120v	39w		70w	
		Input watts	Amps*	Input watts	Amps*
Electronic	120v	44	.37	79	.67
	277v	46	.17	79	.29

\*Data is for open circuit current  
T6 G12 base metal halide, 39w and 70w

Amerlux reserves the right to change details that do not affect overall function and performance.

Ceiling cut out dimension: 5 7/16"



**ORDERING INFORMATION:**

Model	Wattage	Lamp Type	Ballast	Aperture Cone Finish	Trim Finish	Voltage	Beam Spreads	Options/ Accessories
RA4	39 70	T6	E - electronic	SD - semi-diffuse	W - white C - clear (same as aperture)	120/277U	CL - spot NF - narrow flood FL - flood WF - wide flood SL - linear spread lens	SUN - sunrise optic reflector GOLD - ferric gold optic reflector

Example: RA4-39-T6-E-SD-W-120/277U-NF

Cat #:

# 4 1/2" ROUND ADJUSTABLE

T6 METAL HALIDE

RA4  
T6 MH



TYPE :

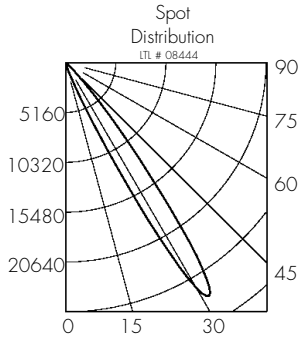


**FIXTURE DATA:**

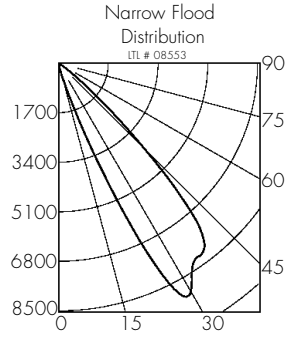
For 20w data, multiply by .51; For 70w data, multiply by 1.9

Complete photometric data (.ies format) available upon request.

**39W T6 MH**



Candelas at Nadir			
Deg	Candela	Deg	Candela
0	25	50	356
5	0	55	51
10	102	60	0
15	305	65	0
20	1550	70	0
25	8540	75	0
30	26839	80	0
35	20536	85	0
40	6252	90	0
45	1474		

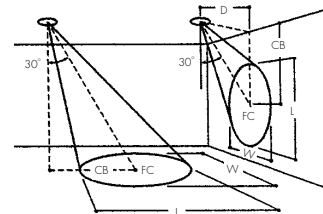


Candelas at Nadir			
Deg	Candela	Deg	Candela
0	50	50	1305
5	39	55	253
10	94	60	32
15	471	65	19
20	2348	70	3
25	7202	75	0
30	9043	80	0
35	8179	85	0
40	7624	90	0
45	4172		

**APPLICATION DATA:**

**Notes and Definitions:**

Beam spread is to 50% center beam candlepower (CBCP).  
 D=Distance to floor or wall.  
 FC=Footcandles on floor or wall at center beam aiming location.  
 L=Effective Visual Beam length in feet (50% of maximum footcandle level).  
 W=Effective Visual Beam width in feet (50% of maximum footcandle level).  
 CB=Distance across or down to center beam location.



30° Aiming Angle  
Horizontal  
Footcandles



30° Aiming Angle  
Vertical  
Footcandles

	Horizontal Footcandles					Vertical Footcandles				
	D	FC	L	W	CB	D	FC	L	W	CB
SPOT	5.0'	709	1.2	1.3	3.0	3.0'	425	2.2	1.3	5.0
	7.5'	255	2.3	1.9	5.0	4.0'	265	2.6	1.6	6.0
	10.0'	177	2.5	2.5	6.0	5.0'	167	3.3	2.0	8.0
	12.5'	105	3.2	3.2	7.0	6.0'	118	3.9	2.4	9.0
NARROW FLOOD	5.0'	222	2.5	2.6	3.0	3.0'	195	3.1	2.3	4.0
	7.5'	109	3.5	3.3	4.0	4.0'	120	3.8	2.7	5.0
	10.0'	59	4.8	5.0	5.0	5.0'	80	4.5	3.2	6.0
	12.5'	38	5.6	6.1	7.0	6.0'	56	5.4	3.9	7.0