

4 1/2" X 6" RECTANGLE DOWNLIGHT

T6 METAL HALIDE

HD46
T6 MH

APPLICATION:

Retail and commercial accent and display lighting

MOUNTING:

For use in T-grid or sheet rock ceilings

CONSTRUCTION:

Steel housing painted matte black
Stamped steel mounting plate and mounting bars

LABELING:

UL and CUL listed
Damp location

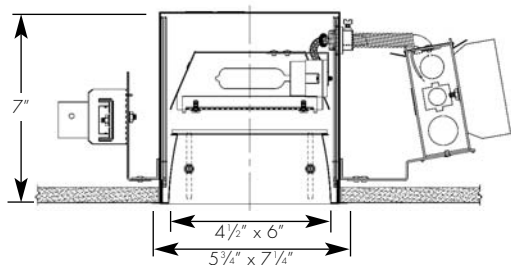
OPTICS:

Formed specular aluminum textured reflector, specially designed for T6 metal halide lamps
Formed semi-diffuse clear aluminum aperture cone with white flange (standard)
Patterned glass lens

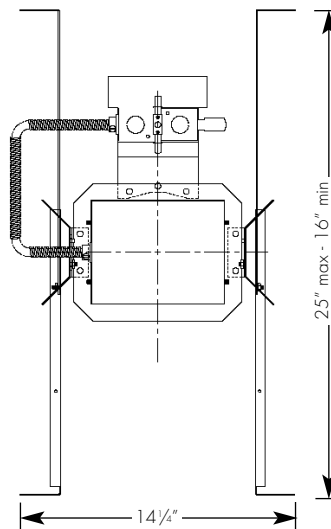


PROJECT:

TYPE:



Ceiling cut out dimension: 5 3/8" x 6 13/16"



ELECTRICAL

| Ballast | Voltage | Lamping | | | |
|------------|---------|-------------|-------|-------------|-------|
| | | 39w | | 70w | |
| | | Input watts | Amps* | Input watts | Amps* |
| Electronic | 120v | 44 | .37 | 79 | .67 |
| | 277v | 46 | .17 | 79 | .29 |

*Data is for open circuit current
T6 G12 base metal halide, 39w and 70w

Amerlux reserves the right to change details that do not affect overall function and performance.



ORDERING INFORMATION:

| Model | Wattage | Lamp Type | Ballast | Aperture Cone Finish | Trim Finish | Voltage | Beam Spreads | Options/Accessories |
|-------|----------|-----------|----------------|----------------------|--|----------|-----------------|---|
| HD46 | 39 70 | T6 | E - electronic | SD - semi-diffuse | W - white C - clear (same as aperture) | 120/277U | WF - wide flood | SUN - sunrise optic reflector GOLD - ferric gold optic reflector |

Example: HD46-39-T6-E-SD-W-120/277U-WF

Cat #:

4 1/2" X 6" RECTANGLE DOWNLIGHT

T6 METAL HALIDE

HD46

T6 MH



TYPE :



FIXTURE DATA: For 70w data, multiply by 1.9

Complete photometric data (.ies format) available upon request.

4 1/2" x 6" RECTANGLE DOWNLIGHT 39W T6
 Lamp: Philips CDM/35/T6/830 Lamp Lumens: 3400
 Recessed

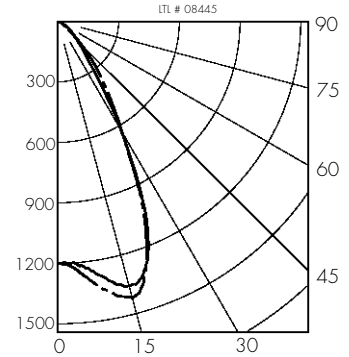
ZONAL LUMEN SUMMARY

| Zone | Lumens | %Lamp | %Fixt |
|--------|--------|-------|-------|
| 0-30 | 1069 | 31.4 | 67.7 |
| 0-40 | 1389 | 40.9 | 88.0 |
| 0-60 | 1562 | 45.9 | 99.0 |
| 0-90 | 1578 | 46.4 | 100.0 |
| 90-180 | 0 | 0.0 | 0.0 |
| 0-180 | 1578 | 46.4 | 100.0 |

Total Luminaire Efficiency = 46.4%

SPACING CRITERIA

| Degree | |
|--------|-----|
| 0 | 1.0 |
| 90 | 1.0 |
| 180 | 1.1 |



APPLICATION DATA:

MULTIPLE UNIT DATA

| On Center Spacing | Initial Footcandles |
|-------------------|---------------------|
| 6' | 43 |
| 8' | 24 |
| 10' | 17 |

50' x 50' Room, 80/50/20% Reflectances
 Initial Footcandles = average illuminance on lighted plane
 Ceiling Height = 10'