

# 6" ROUND ADJUSTABLE

T6 METAL HALIDE

RA6  
T6 MH

**APPLICATION:**

Retail and commercial accent and display lighting

**MOUNTING:**

For use in T-grid or sheet rock ceilings

**CONSTRUCTION:**

Steel housing painted matte black  
Stamped steel mounting plate and mounting bars

**LABELING:**

UL and CUL listed  
Damp location

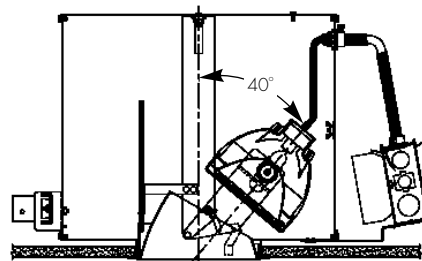
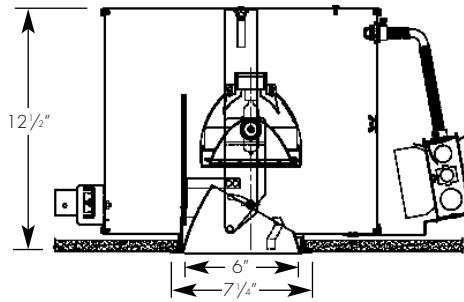
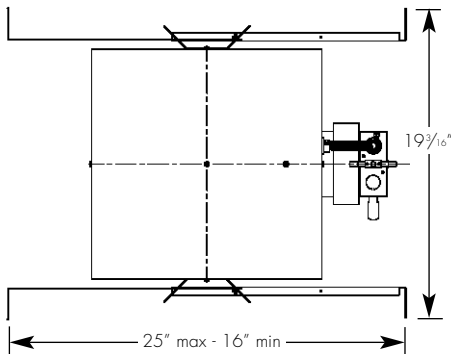
**OPTICS:**

Spun aluminum fluted and hammertone reflector, specially designed for T6 metal halide lamps  
Spun semi-diffuse clear aluminum aperture cone with white flange (standard)  
0-40° lockable tilt, 350° rotation  
Glass lens



PROJECT:

TYPE:



**ELECTRICAL**

		Lamping					
		39w		70w		150w	
Ballast		Input watts	Amps*	Input watts	Amps*	Input watts	Amps*
Electronic	120v	44	.37	79	.67	167	1.4
	277v	46	.17	79	.29	167	.61

\*Data is for open circuit current  
T6 G12 base metal halide 39w, 70w and 150w

Amerlux reserves the right to change details that do not affect overall function and performance.

Ceiling cut out dimension: 6 3/8"



**ORDERING INFORMATION:**

Model	Wattage	Lamp Type	Ballast	Aperture Cone Finish	Trim Finish	Voltage	Beam Spreads	Options/ Accessories
RA6	39 70 150	T6	E - electronic	SD - semi-diffuse	W - white C - clear (same as aperture)	120/277U (39w, 70w) 120 (150w) 277 (150w)	CL - spot NF - narrow flood FL - flood WF - wide flood SL - linear spread lens	SUN - sunrise optic reflector GOLD - ferric gold optic reflector

Example: RA6-39-T6-E-SD-W-120277/U-NF

Cat #:

# 6" ROUND ADJUSTABLE

T6 METAL HALIDE

RA6

T6 MH



TYPE :

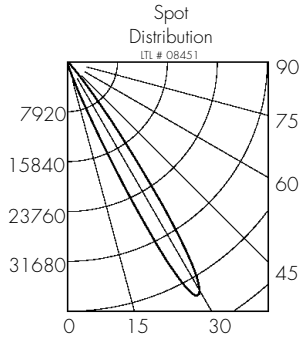


**FIXTURE DATA:**

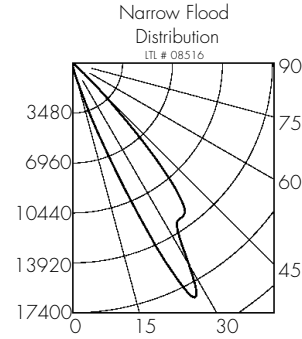
For 20w data, multiply by .51; For 70w data, multiply by 1.9

Complete photometric data (.ies format) available upon request.

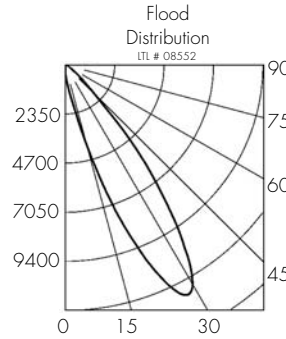
**39W T6 MH**



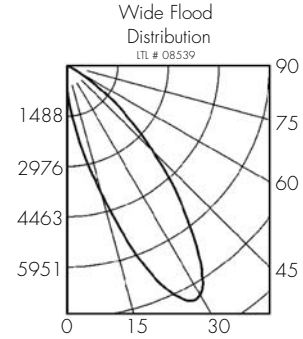
Candelas at Nadir			
Deg	Candela	Deg	Candela
0	330	50	0
5	356	55	0
10	534	60	0
15	1322	65	0
20	4905	70	0
25	25238	75	0
30	41911	80	0
35	18350	85	0
40	3329	90	0
45	483		



Candelas at Nadir			
Deg	Candela	Deg	Candela
0	214	50	543
5	297	55	50
10	476	60	17
15	1249	65	3
20	5221	70	0
25	15166	75	0
30	16229	80	0
35	13164	85	0
40	10432	90	0
45	3029		



Candelas at Nadir			
Deg	Candela	Deg	Candela
0	279	50	733
5	547	55	372
10	1202	60	147
15	3046	65	40
20	6231	70	13
25	8795	75	0
30	9185	80	0
35	6851	85	0
40	4014	90	0
45	1518		

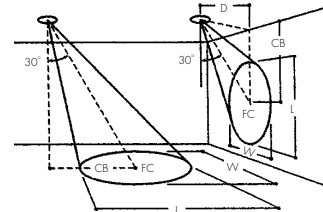


Candelas at Nadir			
Deg	Candela	Deg	Candela
0	430	50	1702
5	1006	55	871
10	1871	60	301
15	2964	65	69
20	4509	70	8
25	5680	75	0
30	5935	80	0
35	5081	85	0
40	3882	90	0
45	2679		

**APPLICATION DATA:**

**Notes and Definitions:**

Beam spread is to 50% center beam candlepower (CBCP).  
 D=Distance to floor or wall.  
 FC=Footcandles on floor or wall at center beam aiming location.  
 L=Effective Visual Beam length in feet (50% of maximum footcandle level).  
 W=Effective Visual Beam width in feet (50% of maximum footcandle level).  
 CB=Distance across or down to center beam location.



30° Aiming Angle  
Horizontal  
Footcandles



30° Aiming Angle  
Vertical  
Footcandles

	Horizontal Footcandles					Vertical Footcandles				
	D	FC	L	W	CB	D	FC	L	W	CB
SPOT	5.0'	1006	1.3	1.2	3.0	3.0'	603	2.0	1.2	5.0
	7.5'	503	1.7	1.7	4.0	4.0'	320	2.9	1.7	7.0
	10.0'	253	2.5	2.4	5.0	5.0'	213	3.5	1.9	8.0
	12.5'	179	3.0	2.9	7.0	6.0'	150	4.1	2.4	10.0
NARROW FLOOD	5.0'	383	2.5	1.6	3.0	3.0'	310	3.0	1.4	4.0
	7.5'	218	2.8	2.0	4.0	4.0'	178	4.0	1.7	5.0
	10.0'	123	3.8	2.7	5.0	5.0'	111	5.1	2.3	6.0
	12.5'	75	5.0	3.4	6.0	6.0'	78	6.1	2.8	8.0
FLOOD	5.0'	232	2.5	1.9	2.0	3.0'	138	3.5	1.9	4.0
	7.5'	114	3.4	3.0	4.0	4.0'	81	4.5	2.6	6.0
	10.0'	66	4.5	3.8	5.0	5.0'	51	5.6	3.2	7.0
	12.5'	42	5.6	4.8	6.0	6.0'	36	6.7	3.8	9.0
WIDE FLOOD	5.0'	159	3.0	2.8	2.0	3.0'	111	3.9	2.7	4.0
	7.5'	73	4.4	4.2	4.0	4.0'	64	5.2	3.5	5.0
	10.0'	42	5.8	5.6	5.0	5.0'	41	6.5	4.3	6.0
	12.5'	27	7.2	6.9	6.0	6.0'	29	7.8	5.2	7.0