

# 6" X 9" RECTANGLE WALL WASH

T6 METAL HALIDE

HW69  
T6 MH



PROJECT:  
  
TYPE:

**APPLICATION:**

Retail and commercial wall wash applications

**MOUNTING:**

For use in T-grid or sheet rock ceilings

**CONSTRUCTION:**

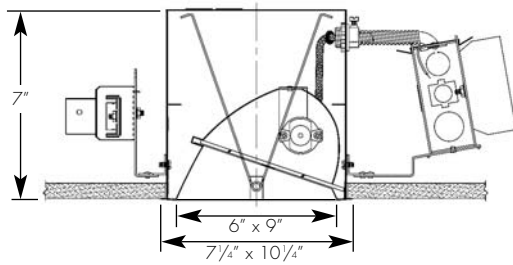
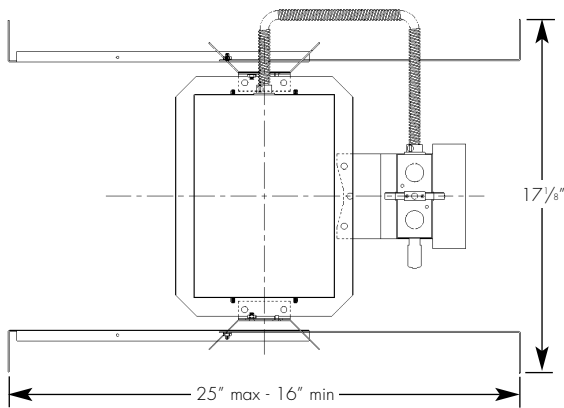
Steel housing painted matte black  
Stamped steel mounting plate and mounting bars

**LABELING:**

UL and CUL listed  
Damp location  
\*\* 150w unit - marked spacing 24"

**OPTICS:**

Spun aluminum fluted and hammertone reflector, specially designed for T6 metal halide lamps  
Spun semi-diffuse clear aluminum aperture cone with white flange (standard)  
Patterned glass lens



Ceiling cut out dimension: 6<sup>13/16</sup>" x 9<sup>13/16</sup>"

**ELECTRICAL**

		Lamping					
		39w		70w		150w	
Ballast		Input watts	Amps*	Input watts	Amps*	Input watts	Amps*
Electronic	120v	44	.37	79	.67	167	1.4
	277v	46	.17	79	.29	167	.61

\*Data is for open circuit current  
T6 G12 base metal halide 39w, 70w and 150w

Amerlux reserves the right to change details that do not affect overall function and performance.



**ORDERING INFORMATION:**

Model	Wattage	Lamp Type	Ballast	Aperture Cone Finish	Trim Finish	Voltage	Beam Spreads	Options/ Accessories
HW69	39 70 150 **	T6	E - electronic	SD - semi-diffuse	W - white C - clear (same as aperture)	120/277U (39w, 70w) 120 (150w) 277 (150w)	WW - wall wash	SUN - sunrise optic reflector GOLD - ferric gold optic reflector

Example: HW69-39-T6-E-SD-W-120/277U-WW

Cat #:

# 6" X 9" RECTANGLE WALL WASH

## T6 METAL HALIDE

HW69  
T6 MH



TYPE :



**FIXTURE DATA:** For 39w data, multiply by .5; For 150w data, multiply by 2.1

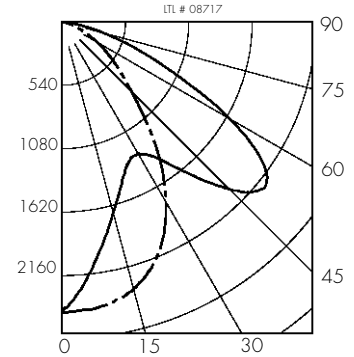
Complete photometric data (.ies format) available upon request.

6" x 9" RECTANGLE WALL WASH 70W T6  
Lamp: Philips CDM70/T6/830 Lamp Lumens: 6600  
Recessed

**ZONAL LUMEN SUMMARY**

Zone	Lumens	%Lamp	%Fixt
0-30	1565	23.7	37.5
0-40	2290	34.7	54.9
0-60	3645	55.2	87.4
0-90	4170	63.2	100.0
90-180	0	0.0	0.0
0-180	4170	63.2	100.0

**Total Luminaire Efficiency = 63.2%**



**APPLICATION DATA:**

**Footcandles on Wall**

3 Feet From Wall

		5'					
		1'	2'	3'	4'	5'	6'
Distance From Ceiling	1'	62	52	39	41	55	60
	2'	104	91	72	73	92	102
	3'	94	87	76	76	86	93
	4'	62	60	57	57	59	61
	5'	42	41	41	41	41	41
	6'	33	32	32	32	32	32
	7'	27	28	27	27	27	26
	8'	24	24	24	24	23	23
	9'	21	21	21	21	20	20

4 Feet From Wall

		6'					
		1'	2'	3'	4'	5'	6'
Distance From Ceiling	1'	29	26	21	19	22	27
	2'	58	54	45	40	45	54
	3'	71	67	59	54	58	66
	4'	60	58	54	52	53	57
	5'	43	42	41	41	41	42
	6'	32	32	32	31	31	32
	7'	26	26	26	26	26	26
	8'	22	22	22	22	22	22
	9'	19	19	19	19	19	19

Footcandles are average and rounded off.  
Data for multiple units are based on a minimum of five units.