

6" ROUND ADJUSTABLE ED17 METAL HALIDE

RA6
ED17 MH

APPLICATION:

Retail and commercial accent and display lighting

CONSTRUCTION:

Steel housing painted matte black
Stamped steel mounting plate and mounting bars

OPTICS:

Spun aluminum fluted and hammertone reflector, specially designed for ED17 metal halide lamps
Spun semi-diffuse clear aluminum aperture cone with white flange (standard)
0-40° lockable tilt, 350° rotation
Glass lens

MOUNTING:

For use in T-grid or sheet rock ceilings

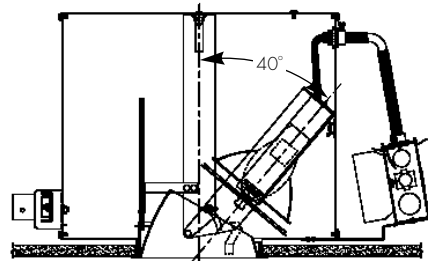
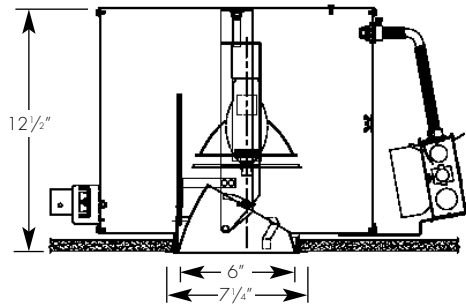
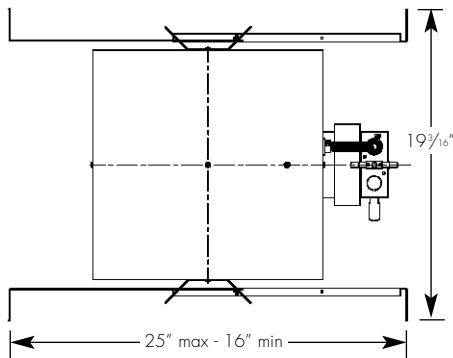
LABELING:

UL and CUL listed
Damp location
**150 unit - marked spacing 24"



PROJECT:

TYPE:



Ceiling cut out dimension: 6 5/8"

ELECTRICAL

Ballast	Voltage	Lamping					
		70w		100w		150w	
		Input watts	Amps*	Input watts	Amps*	Input watts	Amps*
Electronic	120v	79	.67	110	.90	167	1.4
	277v	79	.29	110	.41	167	.61

*Data is for open circuit current
ED-17 medium base metal halide 70w, 100w & 150w

Amerlux reserves the right to change details that do not affect overall function and performance.



ORDERING INFORMATION:

Model	Wattage	Lamp Type	Ballast	Aperture Cone Finish	Trim Finish	Voltage	Beam Spreads	Options/ Accessories
RA6	70 100 150**	17 - ED17	E - electronic	SD - semi-diffuse	W - white C - clear (same as aperture)	120/277U (70w, 100w) 120 (150w) 277 (150w)	CL - spot NF - narrow flood FL - flood WF - wide flood SL - linear spread lens	SUN - sunrise optic reflector GOLD - ferric gold optic reflector

Example: RA6-70-17-ESD-W-120/277U-NF

Cat #:

6" ROUND ADJUSTABLE

ED17 METAL HALIDE

RA6
ED17 MH



TYPE :

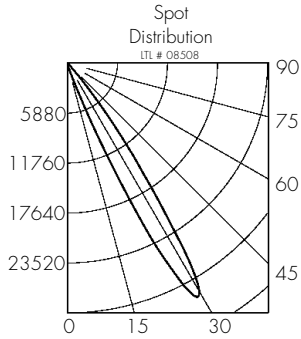


FIXTURE DATA:

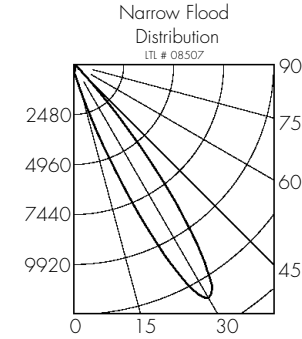
For 100w data, multiply by 1.5; For 150w data, multiply by 2.0

Complete photometric data (.ies format) available upon request.

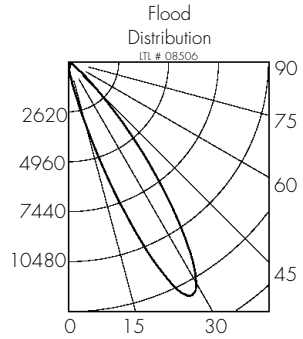
70W ED17 MH



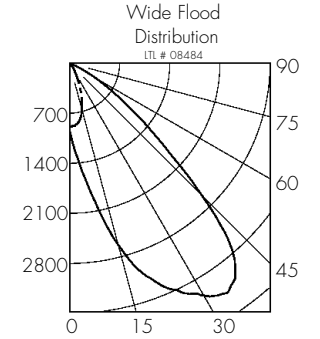
Candelas at Nadir			
Deg	Candela	Deg	Candela
0	275	50	275
5	366	55	114
10	503	60	0
15	641	65	0
20	2974	70	0
25	20225	75	0
30	31000	80	0
35	14413	85	0
40	3066	90	0
45	572		



Candelas at Nadir			
Deg	Candela	Deg	Candela
0	297	50	297
5	389	55	114
10	709	60	0
15	1441	65	0
20	4301	70	0
25	9861	75	0
30	13361	80	0
35	10227	85	0
40	4118	90	0
45	984		



Candelas at Nadir			
Deg	Candela	Deg	Candela
0	247	50	709
5	595	55	229
10	1327	60	46
15	3363	65	0
20	7985	70	0
25	12926	75	0
30	13361	80	0
35	9746	85	0
40	5399	90	0
45	2265		

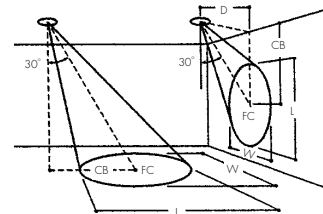


Candelas at Nadir			
Deg	Candela	Deg	Candela
0	899	50	1547
5	1343	55	867
10	1917	60	437
15	2631	65	128
20	3176	70	14
25	3494	75	0
30	3748	80	0
35	3880	85	0
40	3590	90	0
45	2615		

APPLICATION DATA:

Notes and Definitions:

Beam spread is to 50% center beam candlepower (CBCP).
 D=Distance to floor or wall.
 FC=Footcandles on floor or wall at center beam aiming location.
 L=Effective Visual Beam length in feet (50% of maximum footcandle level).
 W=Effective Visual Beam width in feet (50% of maximum footcandle level).
 CB=Distance across or down to center beam location.



30° Aiming Angle
Horizontal
Footcandles



30° Aiming Angle
Vertical
Footcandles

	Horizontal Footcandles					Vertical Footcandles				
	D	FC	L	W	CB	D	FC	L	W	CB
SPOT	5.0'	734	1.3	1.2	3.0	3.0'	440	2.2	1.2	5.0
	7.5'	370	1.7	1.7	4.0	4.0'	237	3.0	1.6	7.0
	10.0'	188	2.6	2.3	5.0	5.0'	152	3.8	1.9	8.0
	12.5'	133	3.0	2.9	7.0	6.0'	110	4.4	2.4	10.0
NARROW FLOOD	5.0'	329	2.0	1.5	3.0	3.0'	197	2.9	1.5	5.0
	7.5'	153	2.8	2.2	4.0	4.0'	122	3.5	1.9	6.0
	10.0'	82	3.8	3.0	6.0	5.0'	76	4.4	2.5	8.0
	12.5'	56	4.5	3.7	7.0	6.0'	54	5.2	2.9	9.0
FLOOD	5.0'	322	2.4	1.8	3.0	3.0'	194	3.6	1.8	4.0
	7.5'	167	3.2	2.6	4.0	4.0'	115	4.5	2.3	6.0
	10.0'	97	4.0	3.3	5.0	5.0'	73	5.7	2.9	7.0
	12.5'	62	5.0	4.0	6.0	6.0'	52	6.8	3.4	9.0
WIDE FLOOD	5.0'	106	4.1	3.3	2.0	3.0'	102	3.2	2.6	3.0
	7.5'	47	6.1	4.9	3.0	4.0'	58	4.2	3.5	4.0
	10.0'	27	8.2	6.6	4.0	5.0'	38	5.2	4.3	6.0
	12.5'	17	9.9	8.2	5.0	6.0'	27	6.0	5.0	7.0