

6" X 9" RECTANGLE WALL WASH

ED17 METAL HALIDE

HW69
ED17 MH



PROJECT:

TYPE:

APPLICATION:

Retail and commercial wall wash applications

MOUNTING:

For use in T-grid or sheet rock ceilings

CONSTRUCTION:

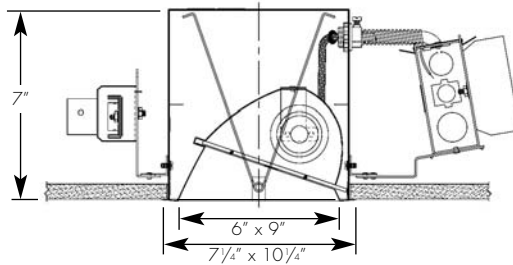
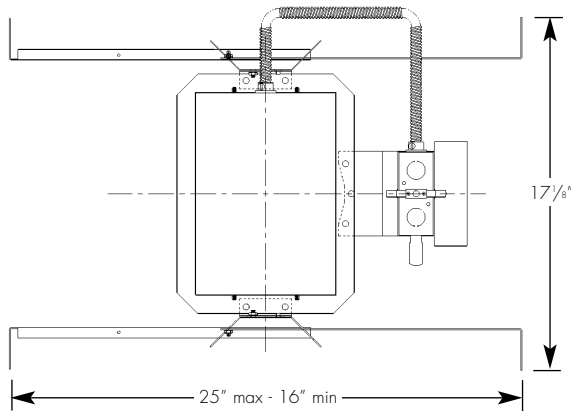
Steel housing painted matte black
Stamped steel mounting plate and mounting bars

LABELING:

UL and CUL listed
Damp location
*150w unit - marked spacing 24"

OPTICS:

Spun aluminum fluted and hammertone reflector, specially designed for ED17 metal halide lamps
Spun semi-diffuse clear aluminum aperture cone with white flange (standard)
Patterned glass lens



Ceiling cut out dimension: 6¹³/₁₆" x 9¹³/₁₆"

ELECTRICAL

Ballast	Voltage	Lamping					
		70w		100w		150w	
		Input watts	Amps*	Input watts	Amps*	Input watts	Amps*
Electronic	120v	79	.67	110	.90	167	1.4
	277v	79	.29	110	.41	167	.61

*Data is for open circuit current
ED-17 medium base metal halide 70w, 100w & 150w

Amerlux reserves the right to change details that do not affect overall function and performance.



ORDERING INFORMATION:

Model	Wattage	Lamp Type	Ballast	Aperture Cone Finish	Trim Finish	Voltage	Beam Spreads	Options/ Accessories
HW69	70 100 150**	17 - ED17	E - electronic	SD - semi-diffuse	W - white C - clear (same as aperture)	120/277U (39w, 70w) 120 (150w) 277 (150w)	WW - wall wash	SUN - sunrise optic reflector GOLD - ferric gold optic reflector

Example: HW69-70-17-E-SD-W-120/277U-WW

Cat #:

6" X 9" RECTANGLE WALL WASH

ED17 METAL HALIDE

HW69

ED17 MH



TYPE :



FIXTURE DATA: For 100w data, multiply by 1.5; For 150w data, multiply by 2.0

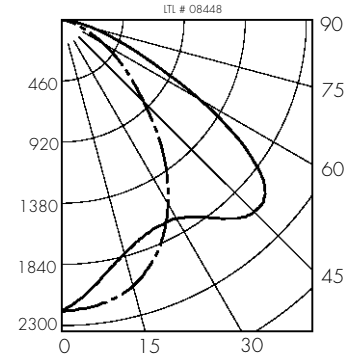
Complete photometric data (.ies format) available upon request.

6" x 9" RECTANGLE WALL WASH 70W ED17
 Lamp: Philips MHC70/U/M/3K Lamp Lumens: 6000
 Recessed

ZONAL LUMEN SUMMARY

Zone	Lumens	%Lamp	%Fixt
0-30	1483	24.7	36.6
0-40	2257	37.6	55.7
0-60	3626	60.4	89.4
0-90	4055	67.6	100.0
90-180	0	0.0	0.0
0-180	4055	67.6	100.0

Total Luminaire Efficiency = 67.6%



APPLICATION DATA:

Footcandles on Wall

3 Feet From Wall

Distance From Ceiling	5'					
	1'	2'	3'	4'	5'	6'
1'	47	40	31	33	42	45
2'	87	77	63	64	78	86
3'	91	85	76	76	85	90
4'	69	67	64	64	67	68
5'	50	49	49	49	49	49
6'	39	38	38	38	38	38
7'	32	32	32	31	31	31
8'	27	27	26	26	26	26
9'	23	23	23	22	22	22

4 Feet From Wall

Distance From Ceiling	6'						
	1'	2'	3'	4'	5'	6'	7'
1'	21	20	17	15	17	20	21
2'	45	42	36	33	36	42	45
3'	61	59	52	49	52	58	61
4'	59	57	54	52	54	57	59
5'	47	47	46	45	46	47	47
6'	37	37	37	37	37	37	37
7'	31	31	31	31	31	30	30
8'	26	26	26	26	26	26	26
9'	22	22	22	22	22	22	22

Footcandles are average and rounded off.
 Data for multiple units are based on a minimum of five units.