

MINI THEATRICAL BELL RECESSED

3LT ADJUSTABLE PAR30 METAL HALIDE

MTBR-3
3LT PAR30MH

APPLICATION:

Retail and commercial accent and display lighting

MOUNTING:

For use in T-grid or sheet rock ceilings

CONSTRUCTION:

Steel metal housing
Spun aluminum head
Thermally protected
Powder coat paint

LABELING:

UL and CUL listed
Damp location

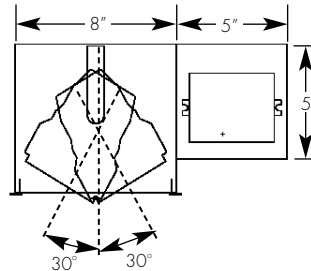
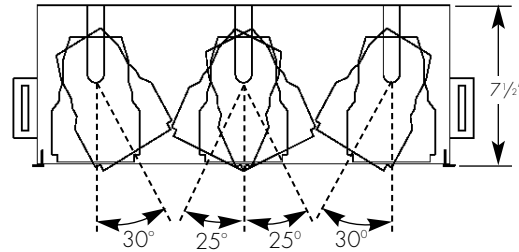
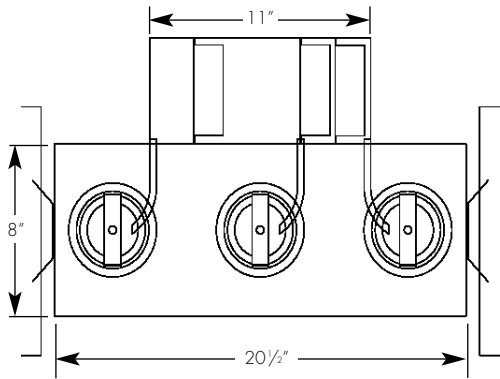
OPTICS:

PAR30 CMH medium base lamps: 20w, 39w and 70w



PROJECT:

TYPE:



Ceiling cut out dimension: 8 1/8" x 20 5/8"

ELECTRICAL

Ballast	Input volts	Lamping		Input volts	Input volts	Input volts	
		3-20w Amps*	3-39w Amps*				3-70w Amps*
Electronic	120v	69	.60	132	1.11	237	2.01
	277v	66	.27	138	.51	237	.87

*Data is for open circuit current
PAR30 medium base metal halide, 20w, 39w and 70w

Amerlux reserves the right to change details that do not affect overall function and performance.



ORDERING INFORMATION:

Model	Lamps	Wattage	Lamp Type	Ballast	Finish	Voltage	Trim Finish
MTBR	3	20 39 70	PAR30MH	E - electronic	WT - white textured BT - black textured ST - silver textured _____ (other RAL)	120 277	WT - white textured _____ (other RAL)

Example: MTBR-3-39-PAR30MHE-WT-120-WT

Cat #:

MINI THEATRICAL BELL RECESSED

3LT ADJUSTABLE PAR30 METAL HALIDE

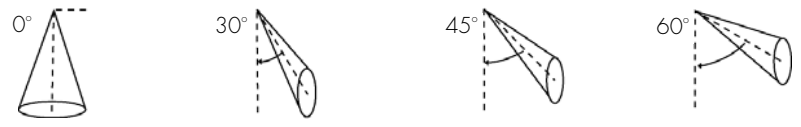
MTBR-3
3LT PAR30MH



TYPE :



Note: Data per 1 lamp



PAR30MH



CMH20/PAR30/SP 10°
7,500 hrs. Rated Life - 19,800 CBCP

D	FC	L	W	D	FC	L	W	D	FC	L	W	D	FC	L	W
4.0'	347	2	2	3.0'	137	3	2	3.0'	229	2	2	3.0'	340	2	1
8.0'	157	2	2	4.0'	95	4	2	4.0'	184	2	2	4.0'	271	2	2
12.0'	85	3	3	6.0'	48	5	3	6.0'	110	3	2	6.0'	169	2	2
16.0'	52	3	3	8.0'	29	6	3	8.0'	69	4	3	8.0'	112	3	2

CMH20/PAR30/FL 25°
7,500 hrs. Rated Life - 4,900 CBCP

D	FC	L	W	D	FC	L	W	D	FC	L	W	D	FC	L	W
4.0'	210	2	2	3.0'	74	4	3	3.0'	160	3	2	3.0'	229	2	2
8.0'	64	4	4	4.0'	47	5	3	4.0'	99	3	3	4.0'	143	3	2
12.0'	30	6	6	6.0'	22	7	5	6.0'	46	5	4	6.0'	73	4	3
16.0'	17	7	7	8.0'	13	9	6	8.0'	28	6	5	8.0'	44	5	4

Data shown: GE Lighting

FC - approximate footcandles at center.

PAR30MH



CDM35/PAR30L/M/SP 10°
9000 hrs. Rated Life - 44,000 MBCP

D	FC	L	W	D	FC	L	W	D	FC	L	W	D	FC	L	W
4.0'	2625	1	1	3.0'	583	2	1	3.0'	1650	1	1	3.0'	3031	1	1
8.0'	656	1	1	4.0'	328	3	1	4.0'	928	1	1	4.0'	1705	1	1
12.0'	292	2	2	6.0'	146	4	2	6.0'	412	2	1	6.0'	758	1	1
16.0'	164	3	3	8.0'	82	6	3	8.0'	232	3	2	8.0'	426	2	2

CDM35/PAR30L/M/FL 30°
9000 hrs. Rated Life - 7,400 MBCP

D	FC	L	W	D	FC	L	W	D	FC	L	W	D	FC	L	W
4.0'	406	2	2	3.0'	90	8	3	3.0'	255	3	2	3.0'	469	2	2
8.0'	102	4	4	4.0'	51	11	4	4.0'	144	5	3	4.0'	164	3	2
12.0'	45	6	6	6.0'	23	16	6	6.0'	64	7	5	6.0'	117	4	4
16.0'	25	9	9	8.0'	13	22	9	8.0'	36	9	6	8.0'	66	6	5

Data shown: Philips Lighting

FC - approximate footcandles at center.

CDM70/PAR30L/M/SP 10°
9000 hrs. Rated Life - 68,000 MBCP

D	FC	L	W	D	FC	L	W	D	FC	L	W	D	FC	L	W
4.0'	3000	1	1	3.0'	667	2	1	3.0'	1886	1	1	3.0'	3464	1	1
8.0'	750	1	1	4.0'	375	3	1	4.0'	1061	1	1	4.0'	1949	1	1
12.0'	333	2	2	6.0'	167	4	2	6.0'	471	2	1	6.0'	866	1	1
16.0'	188	3	3	8.0'	94	6	3	8.0'	265	3	2	8.0'	487	2	2

CDM70/PAR30L/M/FL 30°
9000 hrs. Rated Life - 10,00 MBCP

D	FC	L	W	D	FC	L	W	D	FC	L	W	D	FC	L	W
4.0'	438	3	3	3.0'	97	8	3	3.0'	275	5	3	3.0'	505	3	3
8.0'	109	6	6	4.0'	55	11	4	4.0'	155	7	4	4.0'	284	4	3
12.0'	49	9	9	6.0'	24	16	6	6.0'	69	10	6	6.0'	125	6	5
16.0'	27	12	12	8.0'	14	22	9	8.0'	39	13	6	8.0'	71	8	7

Data shown: Philips Lighting

FC - approximate footcandles at center.