

# ELIANTO ED17 METAL HALIDE

ELI  
ED17 MH

**APPLICATION:**

Retail and commercial ambient and display lighting

**CONSTRUCTION:**

Formed steel ballast housing  
Spun aluminum shade  
Powder coat paint, available in over 200 finishes

**OPTICS:**

Spun specular aluminum reflector with inverted peens  
ED17 metal halide lamps

**MOUNTING:**

Busway, canopy, c-clamp or stem  
Amerlux offers 3/8" stem/canopy in lengths up to 10'  
For stem by others, use HUB 1/2" or 3/4" mounting option

**LABELING:**

cUL listed



PROJECT :

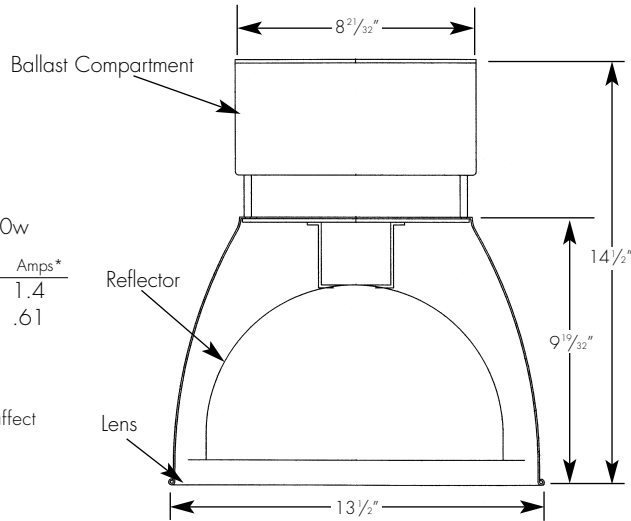
TYPE :

**ELECTRICAL**

Ballast		Lamping					
		70w		100w		150w	
		Input watts	Amps*	Input watts	Amps*	Input watts	Amps*
Electronic	120v	79	.67	110	.90	167	1.4
	277v	79	.29	110	.41	167	.61

\*Data is for open circuit current  
ED-17 medium base metal halide, 70w, 100w and 150w

Amerlux reserves the right to change details that do not affect overall function and performance.



**ORDERING INFORMATION:**

Model	Wattage	Lamp Type	Ballast	Finish	Mounting	Voltage	Distribution	Options/ Accessories
ELI	70 100 150	17 - ED17	E - electronic	W - white B - black ____ - _____ (other RAL)	C - canopy B - busway CCL - C-clamp STEM _____ (specify length) 12" increments, 10' max. (comes w/canopy) HUB 1/2" _____ (specify lead length) (should be 12" longer than stem, for use with 1/2" NPT stem/canopy by others) HUB 3/4" _____ (specify lead length) (should be 12" longer than stem, for use with 3/4" NPT stem/canopy by others)	120/277U	CL - spot FL - flood	GOLD - ferric gold optic reflector QUARTZ - quartz restrike

Example: ELI-70-17-E-W-STEM48-120/277U-CL

Cat #:



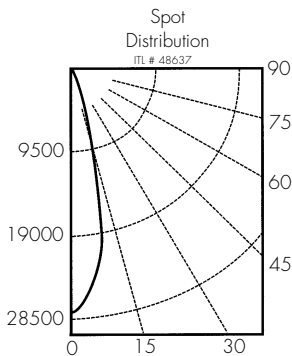
TYPE :



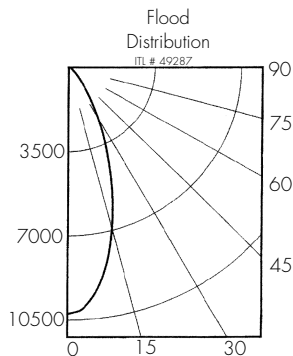
**FIXTURE DATA:** For 70w data, multiply by .67; For 150w data, multiply by 1.45

Complete photometric data (.ies format) available upon request.

**100W ED17 MH**



Candelas at Nadir	
Deg	Candela
0	28043
5	25068
15	10453
25	1687
35	754
45	567

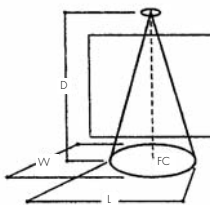


Candelas at Nadir	
Deg	Candela
0	10227
5	9811
15	6917
25	3644
35	1531
45	570

**APPLICATION DATA:**

**Notes and Definitions:**

Beam spread is to 50% center beam candlepower (CBCP).  
 D=Distance to floor or wall.  
 FC=Footcandles on floor or wall at center beam aiming location.  
 L=Effective Visual Beam length in feet (50% of maximum footcandle level).  
 W=Effective Visual Beam width in feet (50% of maximum footcandle level).  
 CB=Distance across or down to center beam location.



	D	FC	L	W
SPOT	7.5'	498	3.3	3.3
	10.0'	280	4.5	4.5
	12.5'	179	5.5	5.5
	15.0'	125	6.7	6.7
FLOOD	7.5'	181	4.9	4.9
	10.0'	102	6.5	6.5
	12.5'	66	8.0	8.0
	15.0'	46	9.6	9.6