

ELIANTO T6 METAL HALIDE

ELI
T6 MH

APPLICATION:

Retail and commercial ambient and display lighting

CONSTRUCTION:

Formed steel ballast housing
Spun aluminum shade
Powder coat paint, available in over 200 finishes

OPTICS:

Spun specular aluminum reflector with inverted peens
T6 metal halide lamps

MOUNTING:

Busway, canopy, c-clamp or stem
Amerlux offers 3/8" stem/canopy in lengths up to 10'
For stem by others, use HUB 1/2" or 3/4" mounting option

LABELING:

cUL listed



PROJECT :

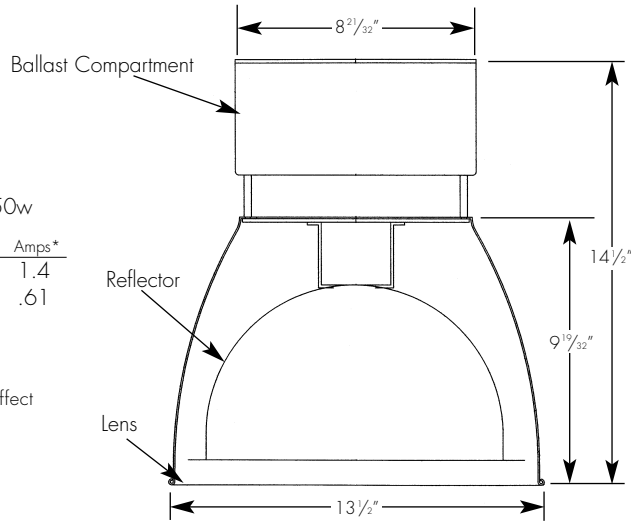
TYPE :

ELECTRICAL

Ballast	120v 277v	39w		Lamping 70w		150w	
		Input watts	Amps*	Input watts	Amps*	Input watts	Amps*
Electronic		44	.37	79	.67	167	1.4
		46	.17	79	.29	167	.61

*Data is for open circuit current
T6 G12 base metal halide, 39w, 70w and 150w

Amerlux reserves the right to change details that do not affect overall function and performance.



ORDERING INFORMATION:

Model	Wattage	Lamp Type	Ballast	Finish	Mounting	Voltage	Distribution	Options/ Accessories
ELI	39 70 150	T6	E - electronic	W - white B - black ___ - ___ (other RAL)	C - canopy B - busway CCL - C-clamp STEM ____ (specify length) 12" increments, 10' max. (comes w/canopy) HUB 1/2" ____ (specify lead length) (should be 12" longer than stem, for use with 1/2" NPT stem/canopy by others) HUB 3/4" ____ (specify lead length) (should be 12" longer than stem, for use with 3/4" NPT stem/canopy by others)	120/277U	CL - spot FL - flood	GOLD - ferric gold optic reflector QUARTZ - quartz restrrike

Example: ELI-70-T6-E-W-C-120/277U-CL

Cat #:

ELIANTO T6 METAL HALIDE

ELI
T6 MH



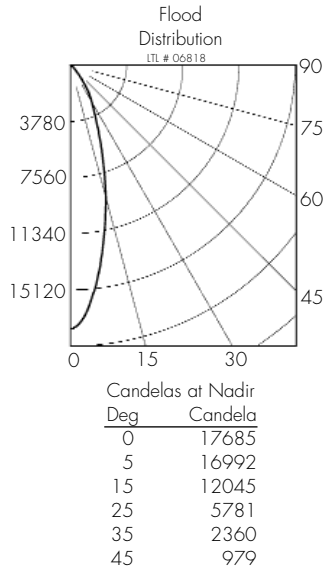
TYPE :



FIXTURE DATA: For 39w data, multiply by .24; For 70w data, multiply by .47

Complete photometric data (.ies format) available upon request.

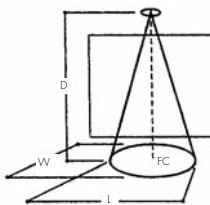
150W T6 MH



APPLICATION DATA:

Notes and Definitions:

Beam spread is to 50% center beam candlepower (CBCP).
 D=Distance to floor or wall.
 FC=Footcandles on floor or wall at center beam aiming location.
 L=Effective Visual Beam length in feet (50% of maximum footcandle level).
 W=Effective Visual Beam width in feet (50% of maximum footcandle level).
 CB=Distance across or down to center beam location.



	D	FC	L	W
FLOOD	7.5'	314	4.9	4.9
	10.0'	176	6.4	6.4
	12.5'	113	8.0	8.0
	15.0'	79	9.6	9.6