

# 2 1/2" DIAMETER TUBE T8 FLUORESCENT

AR2.5  
T8

**APPLICATION:**

Supermarket, retail and commercial ambient, task or accent lighting

**MOUNTING:**

Aircraft cable suspension, stem mount or wall mount

**CONSTRUCTION:**

Extruded aluminum housing  
Die-cast connectors for straight runs or patterns  
Powder coat paint, available in over 200 finishes  
Track section uses Global 1, 2 or 3 circuit track systems (consult factory)

**LABELING:**

cUL listed

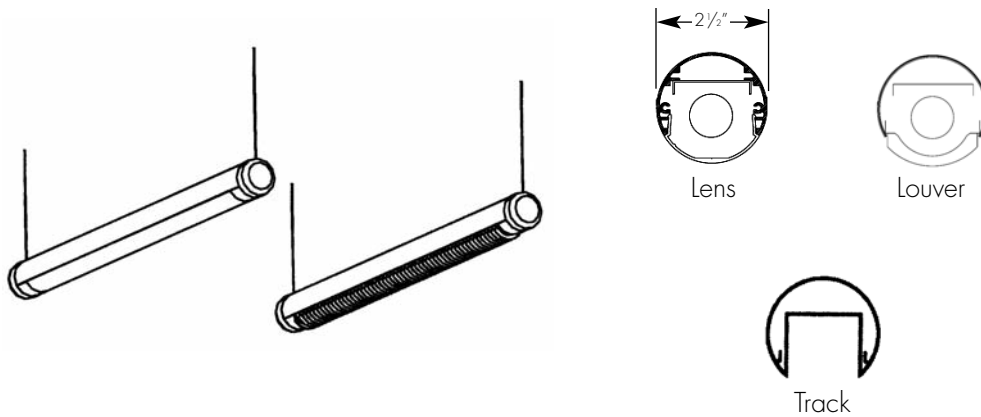
**OPTICS:**

T8 fluorescent lamps  
Acrylic lens or radial blade louver  
Full rotation capability at time of installation for direct/indirect option



PROJECT:

TYPE:



**ELECTRICAL**

Electronic HPF ballast  
120v or 277v

Amerlux reserves the right to change details that do not affect overall function and performance.



**ORDERING INFORMATION:**

Model #	Light Dist./ Shielding*	Mounting*	# Lamps*	Wattage	Lamp Type	Finish	Length	Voltage	Options
AR2.5	LD	A	1	32	T8	W - white	4 - 64"	120	DIM - dimming ballast
	LU	ASB				B - black	(w/ballast)	277	
	RD	ASW				-	8 - 113"		
	OD	AW3				(other RAL)	(w/ballast)		
	T	AV5					PAT - pattern		
	B	W							
		T							
		SR							
		SS							

Example: AR2.5-LD-A-1-32-T8-W-4-120-DIM

Cat #:

\*See reverse side for descriptions

# 2 1/2" DIAMETER TUBE T8 FLUORESCENT

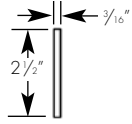
AR2.5  
T8



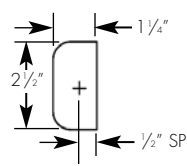
TYPE :



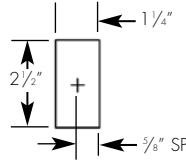
## 2 1/2" DIAMETER CONNECTOR DETAILS



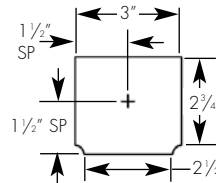
Flat End Plate



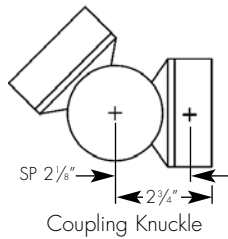
Rounded End Cap



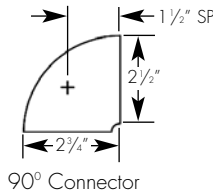
Coupling Ring



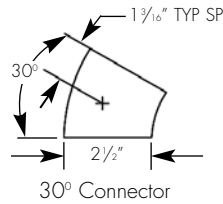
T-Connector



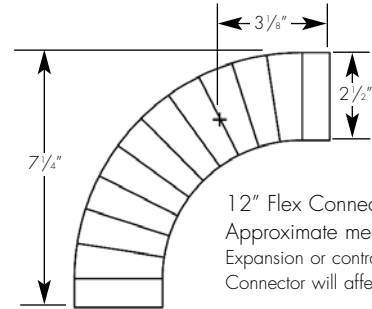
Coupling Knuckle



90° Connector

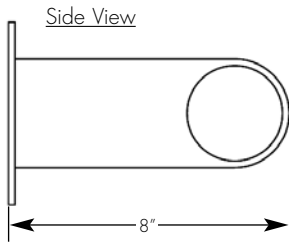


30° Connector

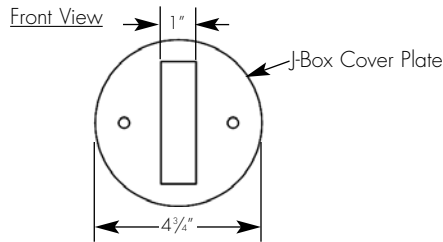


12" Flex Connector  
Approximate measurements.  
Expansion or contraction of Flex  
Connector will affect dimensions.

## WALL BRACKET DETAILS



Side View



Front View

### SP = SUSPENSION POINT

Note:

Suspension measurement remains constant throughout rotation

## ORDERING OPTION DESCRIPTIONS

### LIGHT DISTRIBUTION/SHIELDING:

- LD - lens direct
- RD - louver direct
- OD - open direct
- LU - lens indirect
- OU - open indirect
- T - track only
- B - blank only

### MOUNTING:

- A - aircraft cable with black spiral feed (3 wire)
- ASB - aircraft cable with black straight feed (3 wire)
- ASW - aircraft cable with white straight feed (3 wire)
- AW3 - aircraft cable with white spiral feed (3 wire)
- AW5 - aircraft cable with white spiral feed (5 wire)
- VV - wall mount with arm bracket
- T - take up wall connector for end mount (2.5", 4" & 6" only)
- SR - rigid stem
- SS - swivel stem