

8" DIAMETER TUBE T8 FLUORESCENT

AR8
T8

APPLICATION:

Supermarket, retail and commercial ambient, task or accent lighting

MOUNTING:

Aircraft cable suspension, stem mount or wall mount

CONSTRUCTION:

Extruded aluminum housing
Die-cast connectors for straight runs or patterns
Powder coat paint, available in over 200 finishes
Track section uses Global 1, 2 or 3 circuit track systems (consult factory)

LABELING:

cUL listed

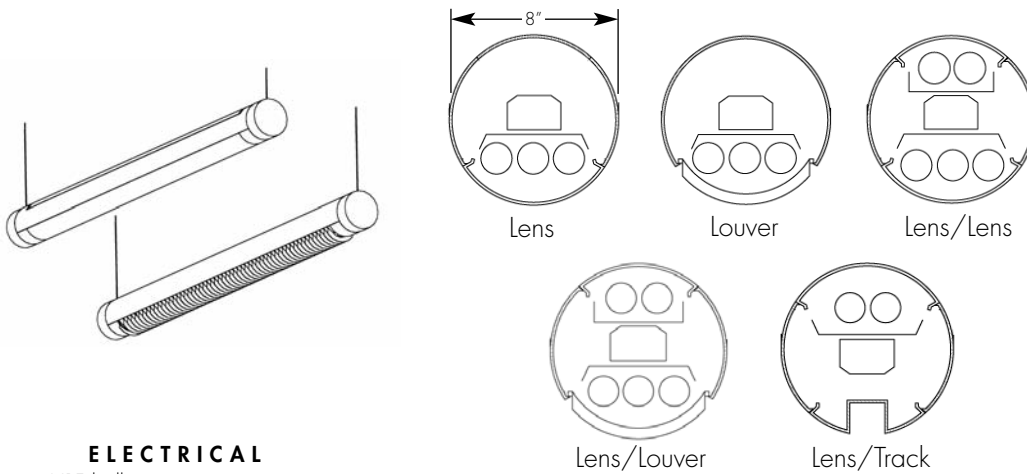


OPTICS:

T8 fluorescent lamps
Acrylic lens or radial blade louver
Full rotation capability at time of installation for direct/indirect option

PROJECT :

TYPE :



ELECTRICAL

Electronic HPF ballast
120v or 277v

Amerlux reserves the right to change details that do not affect overall function and performance.



ORDERING INFORMATION:

Model #	Light Dist./ Shielding*	Mounting*	# Lamps*	Wattage	Lamp Type	Finish	Length	Voltage	Options
AR8	LD	A	1 2/1	32	T8	W - white	4 - 50"	120	DIM - dimming ballast 2LE - 2 level switching EM - emergency battery pack
	LU	ASB	2 2/2			B - black	8 - 99"	277	
	RD	ASW	3 2/3			-	PAT - pattern		
	OD	AW3	1/1 1/T			[other RAL]			
	OU	AW5	1/2 2/T						
	LL	SR	1/3 3/T						
	LR	SS							
	LT								
	T								
	B								

Example: AR8-LD-A-1-32-T8-W-4-120-DIIM

Cat #:

*See reverse side for description
** Uses 6" dia. wall bracket with 8" flat end plate

8" DIAMETER TUBE T8 FLUORESCENT

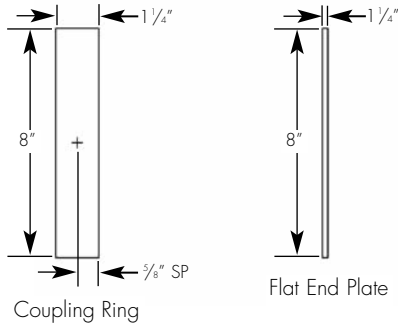
AR8
T8



TYPE :



8" DIAMETER CONNECTOR DETAILS



ORDERING OPTION DESCRIPTIONS

LIGHT DISTRIBUTION/SHIELDING:

LD - lens direct
RD - louver direct
OD - open direct
LU - lens indirect
OU - open indirect
LT - lens indirect, track direct
LL - lens indirect, lens direct
LR - lens indirect, louver direct
T - track only
B - blank only

MOUNTING:

A - aircraft cable with black spiral feed (3 wire)
ASB - aircraft cable with black straight feed (3 wire)
ASW - aircraft cable with white straight feed (3 wire)
AW3 - aircraft cable with white spiral feed (3 wire)
AW5 - aircraft cable with white spiral feed (5 wire)
SR - rigid stem
SS - swivel stem

LAMPS PER CROSS SECTION:

1 - 1 lamp
2 - 2 lamp
3 - 3 lamp
1/1 - 1 up, 1 down
1/2 - 1 up, 2 down
1/3 - 1 up, 3 down
2/1 - 2 up, 1 down
2/2 - 2 up, 2 down
2/3 - 2 up, 3 down
1/T - 1 up, track down
2/T - 2 up, track down
3/T - 3 up, track down