

CAVALETTO II

ED17 RECESSED ADJUSTABLE WALL WASH

CAV II
ED17 MH

APPLICATION:

Retail and commercial wall wash applications

MOUNTING:

For use in T-grid or sheet rock ceilings

CONSTRUCTION:

Die-cast aluminum lamp housing and base
Captive lamp housing door with locking knob permits handsfree relamping
Powder coat paint

LABELING:

UL and CUL listed
Damp location

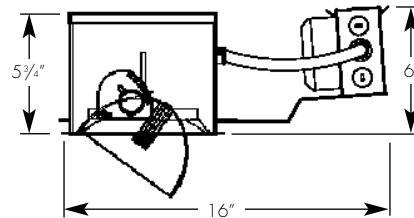
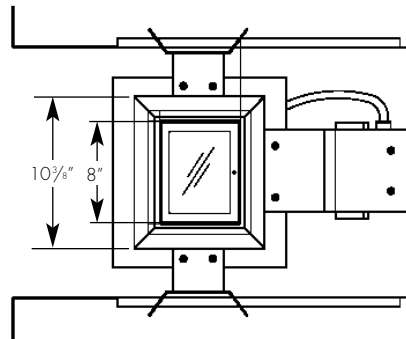
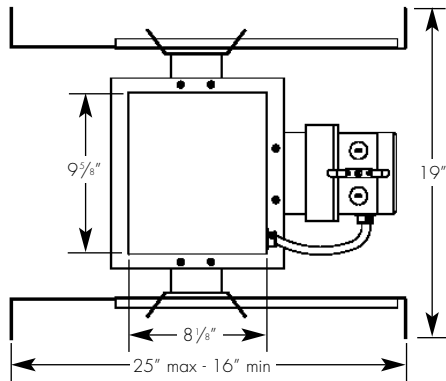


OPTICS:

High performance specular aluminum reflector, specially designed for ED17 metal halide lamps
45° tilt
Vertical aiming angle indicator
Locking vertical adjustment

PROJECT:

TYPE:



Ceiling cut out dimension: 8 1/8" x 9 5/8"

ELECTRICAL

Ballast	Input volts	Lamping					
		70w		100w		150w	
		Input watts	Amps*	Input watts	Amps*	Input watts	Amps*
Electronic	120v	79	.67	110	.90	167	1.4
	277v	79	.29	110	.41	167	.61

*Data is for open circuit current
ED-17 medium base metal halide 70w, 100w & 150w

Amerlux reserves the right to change details that do not affect overall function and performance.



ORDERING INFORMATION:

Model	Wattage	Lamp Type	Ballast	Finish	Voltage	Beam Spreads	Options/Accessories
CAV II	70 100 150	17 - ED17	E - electronic	W - white	120/277U (39w, 70w) 120 (150w) 277 (150w)	WW - wall wash	SUN - sunrise optic reflector GOLD - ferric gold optic reflector

Example: CAV II-70-17-E-W-120/277U-WW

Cat #:

CAVALETTO II

ED17 RECESSED ADJUSTABLE WALL WASH



TYPE :



FIXTURE DATA: For 100w data, multiply by 1.5; For 150w data, multiply by 2.0

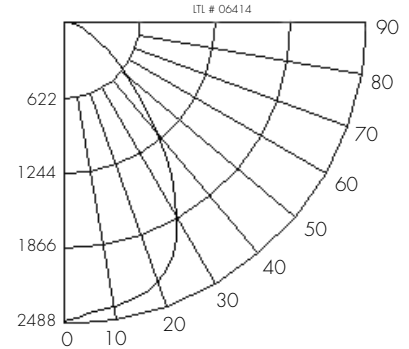
Complete photometric data (.ies format) available upon request.

CAVALETTO II 70W ED17 MH
 Lamp: Philips MHC70/U/M/3K Lamp Lumens: 6200
 Recessed

ZONAL LUMEN SUMMARY

Zone	Lumens	%Lamp	%Fixt
0-30	1851	30.0	38.0
0-40	2916	47.0	60.0
0-60	4381	71.0	90.0
0-90	4843	78.0	100.0
90-180	0	0.0	0.0
0-180	4843	78.0	100.0

Total Luminaire Efficiency = 78.0%



APPLICATION DATA:

Footcandles on Wall

Footcandles are average and rounded off.
 Data for multiple units are based on a minimum of five units.

3 Feet From Wall

Distance From Ceiling	1'	2'	3'	4'	5'	6'	7'	8'	9'
1'	115	98	56	40	56	98	115		
2'	142	122	80	62	80	122	142		
3'	104	96	76	66	76	96	104		
4'	72	70	61	58	62	70	72		
5'	52	51	49	48	49	51	52		
6'	40	40	39	38	39	40	40		
7'	32	32	32	31	32	32	32		
8'	27	27	27	27	27	27	27		
9'	24	24	24	24	24	24	24		

4 Feet From Wall

Distance From Ceiling	1'	2'	3'	4'	5'	6'	7'	8'	9'
1'	76	73	56	48	56	73	76		
2'	101	96	78	68	78	96	101		
3'	90	87	78	73	78	87	90		
4'	71	71	67	66	67	71	71		
5'	56	56	55	54	55	56	56		
6'	46	46	45	45	45	46	46		
7'	37	37	37	37	37	37	37		
8'	32	32	32	32	32	32	32		
9'	27	27	27	27	27	27	27		

4 Feet From Wall

Distance From Ceiling	1'	2'	3'	4'	5'	6'	7'	8'	9'
1'	71	67	47	31	25	31	47	67	71
2'	94	87	64	43	36	43	64	87	94
3'	81	76	62	47	42	47	62	76	81
4'	60	58	51	44	41	44	51	58	60
5'	45	45	41	38	37	38	41	45	45
6'	35	35	33	32	32	32	33	35	35
7'	28	28	28	27	27	27	28	28	28
8'	23	23	23	23	23	23	23	23	23
9'	20	20	20	20	20	20	20	20	20