

6" ROUND DOWNLIGHT

T6 METAL HALIDE

RD6
T6 MH

APPLICATION:

Retail and commercial ambient, accent and display lighting

MOUNTING:

For use in T-grid or sheet rock ceilings

CONSTRUCTION:

Rolled steel housing painted matte black
Stamped steel mounting plate and mounting bars

LABELING:

UL and CUL listed
Damp location

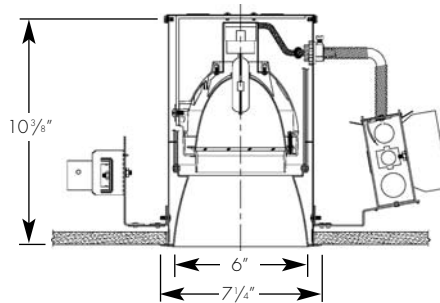
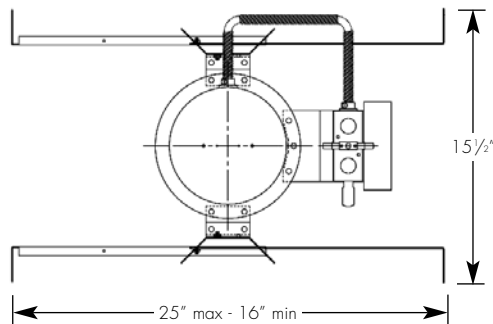


PROJECT:

TYPE:

OPTICS:

Unique spun specular aluminum hammertone reflector, specially designed for T6 metal halide lamps
Spun semi-diffuse clear aluminum aperture cone with white flange (standard)
Glass lens
Choice of beam spreads



Ceiling cut out dimension: 6 1/16"

ELECTRICAL

Ballast	Input watts	39w		Lamping 70w		150w	
		Amps*	Input watts	Amps*	Input watts	Amps*	
Electronic	120v	44	.37	79	.67	167	1.4
	277v	46	.17	79	.29	167	.61

*Data is for open circuit current
T6 G12 base metal halide 39w, 70w and 150w

Amerlux reserves the right to change details that do not affect overall function and performance.



ORDERING INFORMATION:

Model	Wattage	Lamp Type	Ballast	Aperture Cone Finish	Trim Finish	Voltage	Beam Spreads	Options/ Accessories
RD6	39 70 150	T6	E - electronic	SD - semi-diffuse	W - white C - clear (same as aperture)	120/277U (39w, 70w) 120 (150w) 277 (150w)	CL - spot NF - narrow flood FL - flood WF - wide flood SL - linear spread lens	SUN - sunrise optic reflector GOLD - ferric gold optic reflector

Example: RD6-39-T6-E-SD-W-120/277U-NF

Cat #:

6" ROUND DOWNLIGHT

T6 METAL HALIDE

RD6

T6 MH



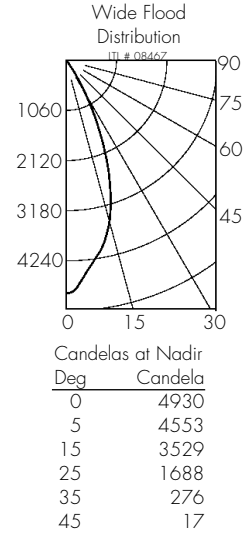
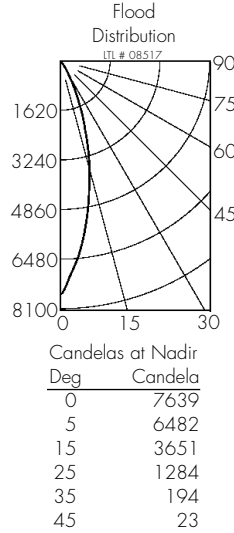
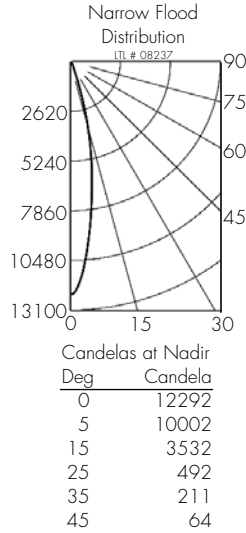
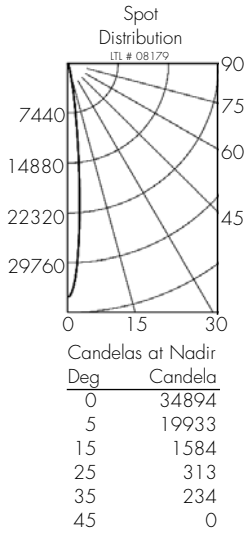
TYPE :



FIXTURE DATA: For 70w data, multiply by 1.9; For 150w data, multiply by 4

Complete photometric data (.ies format) available upon request.

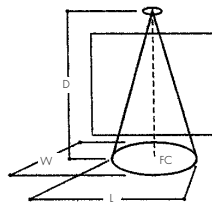
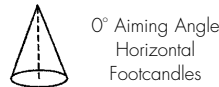
39W T6 MH



APPLICATION DATA:

Notes and Definitions:

Beam spread is to 50% center beam candlepower (CBCP).
 D=Distance to floor or wall.
 FC=Footcandles on floor or wall at center beam aiming location.
 L=Effective Visual Beam length in feet (50% of maximum footcandle level).
 W=Effective Visual Beam width in feet (50% of maximum footcandle level).
 CB=Distance across or down to center beam location.



	D	FC	L	W
SPOT	5.0'	1395	1.1	1.1
	7.5'	620	1.4	1.4
	10.0'	348	1.9	1.9
	12.5'	223	2.5	2.5
NARROW FLOOD	5.0'	491	1.8	1.8
	7.5'	218	2.8	2.8
	10.0'	122	3.6	3.6
	12.5'	79	4.5	4.5
FLOOD	5.0'	305	2.4	2.4
	7.5'	135	3.6	3.6
	10.0'	76	4.7	4.7
	12.5'	49	5.9	5.9
WIDE FLOOD	5.0'	197	3.4	3.4
	7.5'	88	5.1	5.1
	10.0'	49	6.8	6.8
	12.5'	32	8.5	8.5