

# MULTIPLE SEMI-RECESSED ADJUSTABLE 2 LT T4 METAL HALIDE

MSRA-2  
2LT T4 MH

**APPLICATION:**

Retail and commercial accent and display lighting

**CONSTRUCTION:**

Steel housing and j-box  
Twist on/off lens holder for easy relamping  
Thermally protected  
358° rotation, 75° lockable tilt

**OPTICS:**

Spun aluminum double faceted and peened reflector,  
specially designed for T4 metal halide lamps  
Available in a variety of beam spreads

**MOUNTING:**

For use in T-grid or sheet rock ceilings

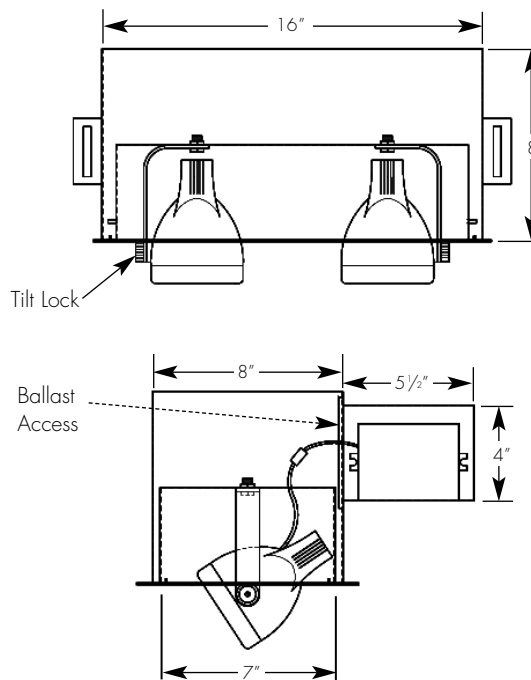
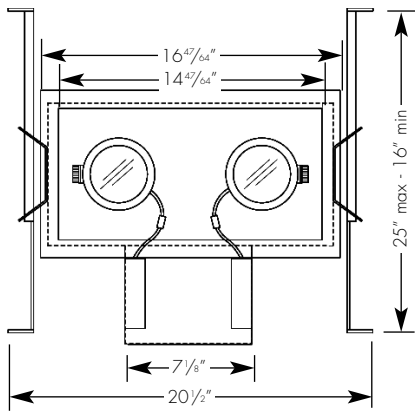
**LABELING:**

UL and CUL listed  
Damp location



PROJECT :

TYPE :



Ceiling cut out dimension: 8 1/8" x 16 1/8"

**ELECTRICAL**

Ballast	Lamping						
	2-20w		2-39w		2-70w		
	Input watts	Amps*	Input watts	Amps*	Input watts	Amps*	
Electronic	120v	46	.40	88	.74	158	1.34
	277v	44	.18	92	.34	158	.58

\*Data is for open circuit current  
T4 G8.5 base metal halide, 20w, 39w and 70w

Amerlux reserves the right to change details that do not affect overall function and performance.



**ORDERING INFORMATION:**

Model	# Lamps	Wattage	Lamp Type	Ballast	Finish	Voltage	Beam Spreads*		Trim Finish	Options/ Accessories
							Lamp 1	Lamp 2		
MSRA	2	20 39 70	T4	E - electronic	WT - white textured BT - black textured ST - silver textured - (other RAL)	120 277	CL NF FL WF SL	CL NF FL WF SL	WT - white textured	GOLD - ferric gold optic reflector DB2690 - DB2690 optic reflector HEX - hexcell louver (1/8" x 1/8") SN - snoot, specify length and finish, 3/4" standard

\*CL - spot  
NF - narrow flood  
FL - flood  
WF - wide flood  
SL - linear spread lens

Example: MSRA-2-39-T4-E-BT-120-CL-FL-WT

Cat #:

# MULTIPLE SEMI-RECESSED ADJUSTABLE 2 LT T4 METAL HALIDE

MSRA-2  
2LT T4 MH



TYPE :



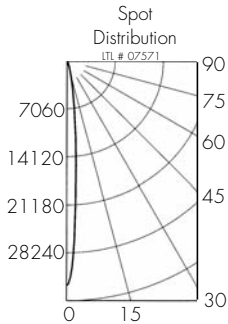
**FIXTURE DATA:**

Note: Data is for 1 lamp

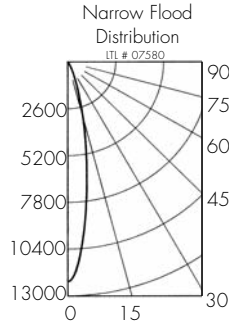
For 20w data, multiply by .51; For 70w data, multiply by 1.9

Complete photometric data (.ies format) available upon request.

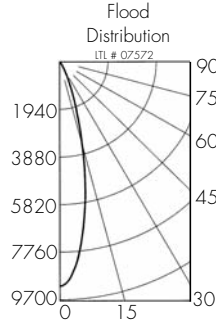
**39W T4 MH**



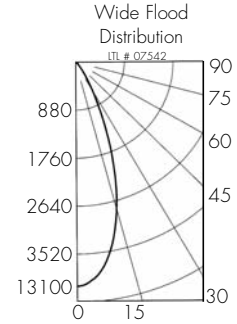
Candelas at Nadir	
Deg	Candela
0	33068
5	15470
15	2076
25	392
35	48
45	0



Candelas at Nadir	
Deg	Candela
0	12207
5	9701
15	3131
25	687
35	156
45	47



Candelas at Nadir	
Deg	Candela
0	9140
5	8108
15	3471
25	846
35	187
45	51

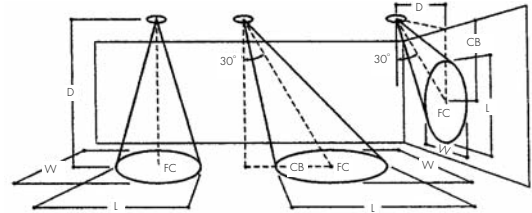


Candelas at Nadir	
Deg	Candela
0	4109
5	3947
15	2782
25	1135
35	305
45	81

**APPLICATION DATA:**

**Notes and Definitions:**

Beam spread is to 50% center beam candlepower (CBCP).  
 D=Distance to floor or wall.  
 FC=Footcandles on floor or wall at center beam aiming location.  
 L=Effective Visual Beam length in feet (50% of maximum footcandle level).  
 W=Effective Visual Beam width in feet (50% of maximum footcandle level).  
 CB=Distance across or down to center beam location.



0° Aiming Angle  
Horizontal  
Footcandles



30° Aiming Angle  
Horizontal  
Footcandles



30° Aiming Angle  
Vertical  
Footcandles



60° Aiming Angle  
Vertical  
Footcandles

	0° Aiming Angle Horizontal Footcandles					30° Aiming Angle Horizontal Footcandles					30° Aiming Angle Vertical Footcandles					60° Aiming Angle Vertical Footcandles				
	D	FC	L	W	CB	D	FC	L	W	CB	D	FC	L	W	CB	D	FC	L	W	CB
SPOT	5.0'	1322	1.1	1.1		5.0'	858	1.3	1.2	2.9	3.0'	459	2.1	1.0	4.8	3.0'	2346	0.7	0.6	1.8
	7.5'	587	1.4	1.4		7.5'	382	1.7	1.5	4.3	4.0'	267	2.7	1.4	6.8	4.0'	1337	0.9	0.8	2.2
	10.0'	330	1.7	1.7		10.0'	214	2.2	1.9	5.8	5.0'	173	3.3	1.7	8.3	5.0'	841	1.2	1.0	2.7
	12.5'	211	2.0	2.0		12.5'	137	2.9	2.5	7.2	6.0'	119	4.0	2.0	9.8	6.0'	566	1.4	1.2	3.2
NARROW FLOOD	5.0'	488	1.7	1.7		5.0'	317	2.3	1.9	2.9	3.0'	203	3.3	1.9	4.2	3.0'	868	1.4	1.2	1.7
	7.5'	217	2.6	2.6		7.5'	140	3.4	3.0	4.3	4.0'	114	4.4	2.5	5.8	4.0'	497	1.8	1.6	2.2
	10.0'	122	3.4	3.4		10.0'	79	4.4	3.8	5.8	5.0'	73	5.5	3.2	7.3	5.0'	318	2.2	1.9	2.7
	12.5'	78	4.2	4.2		12.5'	51	5.5	4.8	7.2	6.0'	51	6.6	3.8	8.8	6.0'	221	2.7	2.3	3.2
FLOOD	5.0'	364	2.2	2.2		5.0'	237	2.8	2.5	2.9	3.0'	175	3.5	2.2	4.3	3.0'	652	1.7	1.5	1.7
	7.5'	162	3.2	3.2		7.5'	105	4.2	3.7	4.3	4.0'	99	4.6	2.9	2.3	4.0'	375	2.2	2.0	2.3
	10.0'	91	4.3	4.3		10.0'	61	5.5	4.8	4.7	5.0'	63	5.8	3.7	6.2	5.0'	242	2.7	2.5	2.8
	12.5'	59	5.3	5.3		12.5'	39	6.7	6.0	6.2	6.0'	44	7.2	4.6	7.8	6.0'	139	3.7	3.4	3.3
WIDE FLOOD	5.0'	164	3.2	3.2		5.0'	116	3.8	3.4	1.9	3.0'	108	3.4	2.7	3.2	3.0'	329	2.2	2.0	1.2
	7.5'	73	4.8	4.8		7.5'	53	5.5	5.1	3.3	4.0'	61	4.5	3.6	4.3	4.0'	184	2.9	2.7	1.7
	10.0'	41	6.3	6.3		10.0'	29	7.4	7.0	4.8	5.0'	39	5.7	4.6	5.2	5.0'	118	3.7	3.4	2.3
	12.5'	26	7.9	7.9		12.5'	19	9.1	8.6	5.2	6.0'	27	6.8	5.5	6.3	6.0'	82	4.4	4.1	2.7