

# MULTIPLE SEMI-RECESSED ADJUSTABLE 2LT CDM-Tm MINI MASTERCOLOR METAL HALIDE

MSRA-2  
2LT CDM-Tm MH

**APPLICATION:**

Retail and commercial accent and display lighting

**MOUNTING:**

For use in T-grid or sheet rock ceilings

**CONSTRUCTION:**

Steel housing and j-box  
Twist on/off lens holder for easy relamping  
Thermally protected  
358° rotation, 75° lockable tilt

**LABELING:**

cUL listed  
Damp location

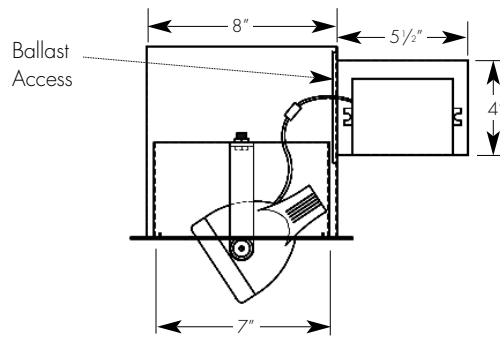
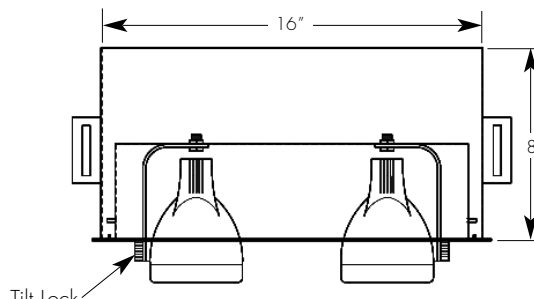
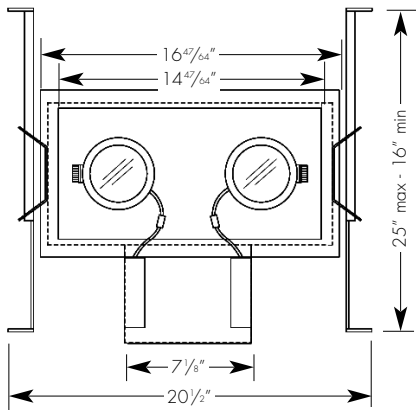
**OPTICS:**

High performance specular aluminum reflector  
Available in a variety of beam spreads



PROJECT:

TYPE:



Ceiling cut out dimension: 8 1/8" x 16 1/8"

**ELECTRICAL**

Ballast	Voltage	2-20w		2-39w	
		Input watts	Amps*	Input watts	Amps*
Electronic	120v	52	.46	90	.80
	277v	52	.24	90	.40

\*Data is for open circuit current  
2 CDM-Tm PGJ5 base metal halide, 20w and 39w

Amerlux reserves the right to change details that do not affect overall function and performance.



**ORDERING INFORMATION:**

Model	# Lamps	Wattage	Lamp Type	Ballast	Finish	Voltage	Beam Spreads*		Trim Finish	Options/ Accessories
							Lamp 1	Lamp 2		
MSRA	2	20 39	MM - mini MasterColor® CDM-Tm	E - electronic	WT - white textured BT - black textured ST - silver textured _____ (other RAL)	120 277	CL NF FL WF	CL NF FL WF	WT - white textured	GOLD - ferric gold optic reflector DB2690 - DB2690 optic reflector HEX - hexcell louver (1/8" x 1/8") SN - snoot, specify length and finish, 3/4" standard

Example: MSRA-2-20-MM-E-WT-120-CL-CL-WT

Cat #:

# MULTIPLE SEMI-RECESSED ADJUSTABLE 2LT CDM-T<sub>m</sub> MINI MASTERCOLOR METAL HALIDE

**MSRA-2**  
2LT CDM-T<sub>m</sub> MH



TYPE :

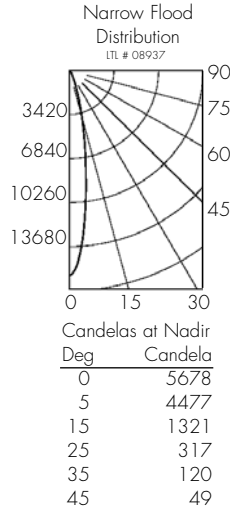
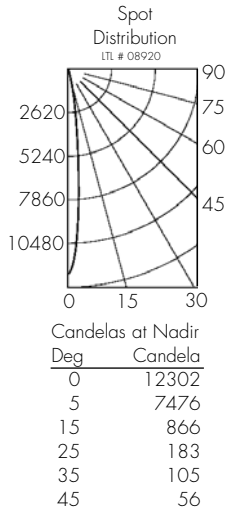


**FIXTURE DATA:**

Test run with standard clear reflector. For gold, multiply by 0.9  
For 39w data, multiply by 1.8

Complete photometric data (.ies format) available upon request.

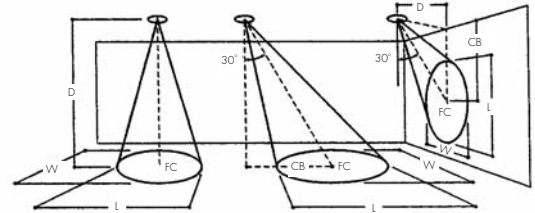
Note: Data is for 1 lamp  
**20W T<sub>m</sub> MH**



**APPLICATION DATA:**

**Notes and Definitions:**

Beam spread is to 50% center beam candlepower (CBCP).  
D=Distance to floor or wall.  
FC=Footcandles on floor or wall at center beam aiming location.  
L=Effective Visual Beam length in feet (50% of maximum footcandle level).  
W=Effective Visual Beam width in feet (50% of maximum footcandle level).  
CB=Distance across or down to center beam location.



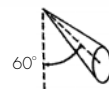
0° Aiming Angle  
Horizontal  
Footcandles



30° Aiming Angle  
Horizontal  
Footcandles



30° Aiming Angle  
Vertical  
Footcandles



60° Aiming Angle  
Vertical  
Footcandles

	0° Aiming Angle Horizontal Footcandles				30° Aiming Angle Horizontal Footcandles					30° Aiming Angle Vertical Footcandles					60° Aiming Angle Vertical Footcandles				
	D	FC	L	W	D	FC	L	W	CB	D	FC	L	W	CB	D	FC	L	W	CB
SPOT	5.0'	492	1.2	1.2	5.0'	319	1.4	1.3	2.9	3.0'	186	2.3	1.3	4.8	3.0'	876	0.8	0.7	1.8
	7.5'	218	1.5	1.5	7.5'	133	2.3	1.8	3.9	4.0'	104	3.1	1.6	6.3	4.0'	502	1.2	1.0	2.3
	10.0'	123	2.1	2.1	10.0'	78	2.9	2.6	5.9	5.0'	67	3.9	2.0	7.8	5.0'	320	1.5	1.3	2.7
	12.5'	79	2.8	2.8	12.5'	51	3.5	3.1	6.9	6.0'	46	4.6	2.5	9.7	6.0'	220	1.7	1.5	3.3
NARROW FLOOD	5.0'	227	1.6	1.6	5.0'	147	2.2	1.8	2.9	3.0'	94	3.2	1.8	4.2	3.0'	404	1.3	1.1	1.8
	7.5'	100	2.5	2.5	7.5'	66	3.2	2.8	3.9	4.0'	53	4.3	2.4	5.7	4.0'	231	1.7	1.5	2.3
	10.0'	57	3.2	3.2	10.0'	36	4.4	3.7	5.9	5.0'	34	5.3	3.0	7.2	5.0'	148	2.1	1.8	2.8
	12.5'	36	3.9	3.9	12.5'	24	5.3	4.6	6.9	6.0'	24	6.4	3.4	8.8	6.0'	103	2.5	2.2	3.2