

# MULTIPLE SEMI-RECESSED ADJUSTABLE 1LT CDM-T<sub>m</sub> MINI MASTERCOLOR METAL HALIDE

MSRA-1  
1LT CDM-T<sub>m</sub> MH

**APPLICATION:**

Retail and commercial accent and display lighting

**MOUNTING:**

For use in T-grid or sheet rock ceilings

**CONSTRUCTION:**

Steel housing and j-box  
Twist on/off lens holder for easy relamping  
Thermally protected  
358° rotation, 75° lockable tilt

**LABELING:**

cUL listed  
Damp location

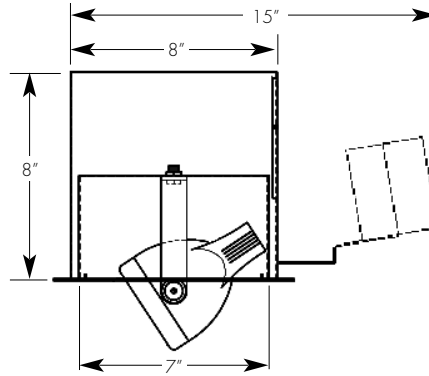
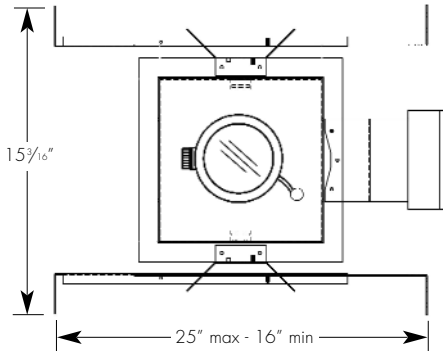
**OPTICS:**

High performance specular aluminum reflector  
Available in a variety of beam spreads



PROJECT:

TYPE:



Ceiling cut out dimension: 8 1/8" sq

**ELECTRICAL**

Ballast	Voltage	Lamping			
		20w		39w	
		Input watts	Amps*	Input watts	Amps*
Electronic	120v	26	.23	45	.40
	277V	26	.12	45	.20

\*Data is for open circuit current  
CDM-T<sub>m</sub> PGJ5 base metal halide, 20w and 39w

Amerlux reserves the right to change details that do not affect overall function and performance.



**ORDERING INFORMATION:**

Model	# Lamps	Wattage	Lamp Type	Ballast	Finish	Voltage	Beam Spreads	Trim Finish	Options/ Accessories
MSRA	1	20 39	MM - mini MasterColor® CDM-T <sub>m</sub>	E - electronic	WT - white textured BT - black textured ST - silver textured _____ (other RAL)	120 277	CL - spot NF - narrow flood FL - flood WF - wide flood	WT - white textured	GOLD - ferric gold optic reflector HEX - hexcell louver (1/8" x 1/8") SN - snoot, specify length and finish, 3/4" standard

Example: MSRA-1-20-MM-E-BT-120-CL-WT

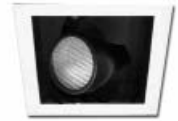
Cat #:

# MULTIPLE SEMI-RECESSED ADJUSTABLE 1LT CDM-T<sub>m</sub> MINI MASTERCOLOR METAL HALIDE

**MSRA-1**  
1LT CDM-T<sub>m</sub> MH



TYPE :

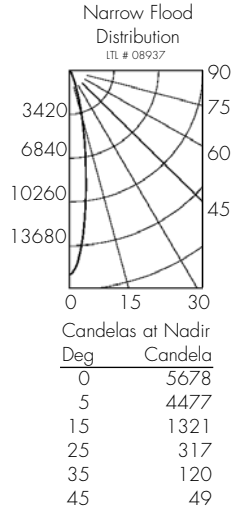
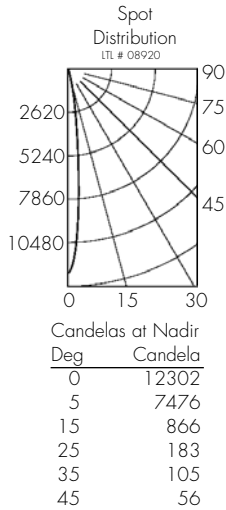


**FIXTURE DATA:**

Test run with standard clear reflector. For gold, multiply by 0.9  
For 39w data, multiply by 1.8

Complete photometric data (.ies format) available upon request.

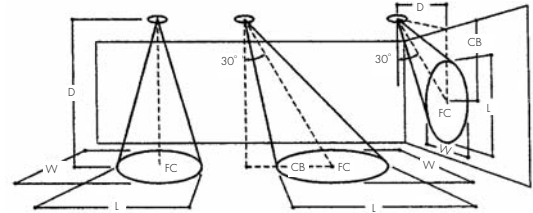
**20W T<sub>m</sub> MH**



**APPLICATION DATA:**

**Notes and Definitions:**

Beam spread is to 50% center beam candlepower (CBCP).  
D=Distance to floor or wall.  
FC=Footcandles on floor or wall at center beam aiming location.  
L=Effective Visual Beam length in feet (50% of maximum footcandle level).  
W=Effective Visual Beam width in feet (50% of maximum footcandle level).  
CB=Distance across or down to center beam location.



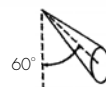
0° Aiming Angle  
Horizontal  
Footcandles



30° Aiming Angle  
Horizontal  
Footcandles



30° Aiming Angle  
Vertical  
Footcandles



60° Aiming Angle  
Vertical  
Footcandles

	0° Aiming Angle Horizontal Footcandles					30° Aiming Angle Horizontal Footcandles					30° Aiming Angle Vertical Footcandles					60° Aiming Angle Vertical Footcandles					
	D	FC	L	W	CB	D	FC	L	W	CB	D	FC	L	W	CB	D	FC	L	W	CB	
SPOT	5.0'	492	1.2	1.2		5.0'	319	1.4	1.3	2.9	3.0'	186	2.3	1.3	4.8	3.0'	876	0.8	0.7	1.8	
	7.5'	218	1.5	1.5		7.5'	133	2.3	1.8	3.9	4.0'	104	3.1	1.6	6.3	4.0'	502	1.2	1.0	2.3	
	10.0'	123	2.1	2.1		10.0'	78	2.9	2.6	5.9	5.0'	67	3.9	2.0	7.8	5.0'	320	1.5	1.3	2.7	
	12.5'	79	2.8	2.8		12.5'	51	3.5	3.1	6.9	6.0'	46	4.6	2.5	9.7	6.0'	220	1.7	1.5	3.3	
NARROW FLOOD	5.0'	227	1.6	1.6		5.0'	147	2.2	1.8	2.9	3.0'	94	3.2	1.8	4.2	3.0'	404	1.3	1.1	1.8	
	7.5'	100	2.5	2.5		7.5'	66	3.2	2.8	3.9	4.0'	53	4.3	2.4	5.7	4.0'	231	1.7	1.5	2.3	
	10.0'	57	3.2	3.2		10.0'	36	4.4	3.7	5.9	5.0'	34	5.3	3.0	7.2	5.0'	148	2.1	1.8	2.8	
	12.5'	36	3.9	3.9		12.5'	24	5.3	4.6	6.9	6.0'	24	6.4	3.4	8.8	6.0'	103	2.5	2.2	3.2	