

# MULTIPLE SEMI-RECESSED ADJUSTABLE 2 LT PAR20 METAL HALIDE

MSRA-2  
2LT PAR20MH

**APPLICATION:**

Retail and commercial accent and display lighting

**CONSTRUCTION:**

Steel housing and j-box  
Twist on/off lens holder for easy relamping  
Thermally protected  
358° rotation, 75° lockable tilt

**MOUNTING:**

For use in T-grid or sheet rock ceilings

**LABELING:**

UL and CUL listed  
Damp location

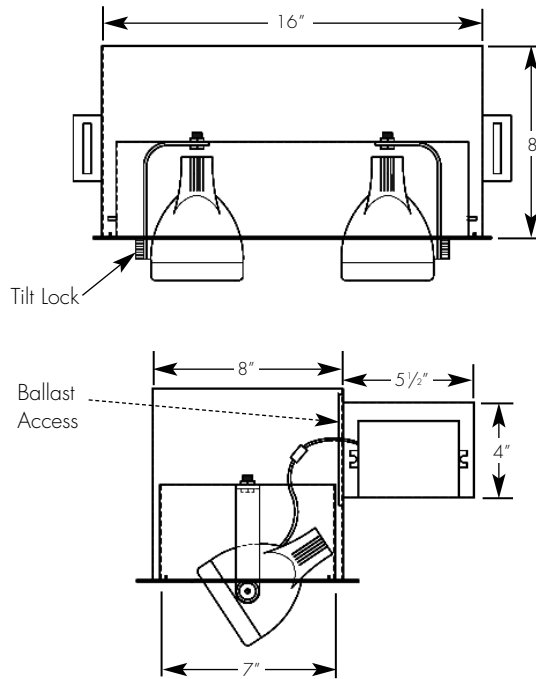
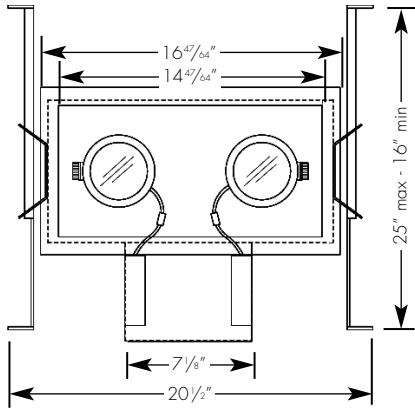
**OPTICS:**

PAR20 metal halide 20w or 39w



PROJECT:

TYPE:



Ceiling cut out dimension: 8 7/8" x 16 7/8"

**ELECTRICAL**

Ballast	Input volts	Lamping		Input volts	Amps*
		2-20w	2-39w		
Electronic	120v	46	.40	88	.74
	277v	44	.18	92	.34

\*Data is for open circuit current  
T4 G8.5 base metal halide, 20w 39w

Amerlux reserves the right to change details that do not affect overall function and performance.



**ORDERING INFORMATION:**

Model	# Lamps	Wattage	Lamp Type	Ballast	Finish	Voltage	Trim Finish	Options/Accessories
MSRA	2	20 39	PAR20MH	E - electronic	WT - white textured BT - black textured ST - silver textured - [other RAL]	120 277	WT - white textured	HEX - hexcell louver (1/8" x 1/8") SN - snoot, specify length and finish, 3/4" standard

Example: MSRA-2-39-PAR20MH-E-BT-120-CL-FL-WT

Cat #:

# MULTIPLE SEMI-RECESSED ADJUSTABLE 2 LT PAR20 METAL HALIDE

**MSRA-2**  
2LT PAR20MH



TYPE :



**FIXTURE DATA:** Note: Data is for 1 lamp

**PAR20MH**



CDM20/PAR20/M/SP 8°  
7,500 hrs. Rated Life - 13,000 CBCP

0°				30°				45°				60°			
D	FC	L	W	D	FC	L	W	D	FC	L	W	D	FC	L	W
4.0'	1195	1	1	3.0'	250	2	1	3.0'	565	1	1	3.0'	1321	1	1
8.0'	299	1	1	4.0'	144	2	1	4.0'	348	1	1	4.0'	722	1	1
12.0'	133	2	2	6.0'	65	3	2	6.0'	167	2	1	6.0'	285	1	1
16.0'	75	2	2	8.0'	37	4	2	8.0'	97	2	2	8.0'	172	2	1

CDM20/PAR20/M/FL 25°															
D	FC	L	W	D	FC	L	W	D	FC	L	W	D	FC	L	W
4.0'	177	2	2	3.0'	57	4	3	3.0'	118	3	2	3.0'	196	2	2
8.0'	44	4	4	4.0'	34	5	3	4.0'	71	3	3	4.0'	109	3	3
12.0'	20	6	6	6.0'	16	7	5	6.0'	31	5	4	6.0'	49	4	4
16.0'	11	9	9	8.0'	9	9	7	8.0'	18	7	6	8.0'	28	5	5

Data shown: GE Lighting

FC - approximate footcandles at center.

**PAR20MH**



CDM35/PAR20/M/SP 10°  
9000 hrs. Rated Life - 23,000 MBCP

CDM35/PAR20/M/SP 10°															
D	FC	L	W	D	FC	L	W	D	FC	L	W	D	FC	L	W
4.0'	1750	1	1	3.0'	389	2	1	3.0'	1100	1	1	3.0'	2021	1	1
8.0'	438	1	1	4.0'	219	3	1	4.0'	619	1	1	4.0'	1137	1	1
12.0'	194	2	2	6.0'	97	4	2	6.0'	275	2	1	6.0'	505	1	1
16.0'	109	3	3	8.0'	55	6	3	8.0'	155	3	2	8.0'	284	2	2

CDM35/PAR20/M/FL 30°															
D	FC	L	W	D	FC	L	W	D	FC	L	W	D	FC	L	W
4.0'	375	2	2	3.0'	83	8	3	3.0'	236	3	2	3.0'	433	2	2
8.0'	94	4	4	4.0'	47	11	4	4.0'	133	5	3	4.0'	244	3	2
12.0'	42	6	6	6.0'	21	16	6	6.0'	59	7	5	6.0'	108	4	4
16.0'	23	9	9	8.0'	12	22	9	8.0'	33	9	6	8.0'	61	6	5

Data shown: Philips Lighting

FC - approximate footcandles at center.