

MULTIPLE SEMI-RECESSED ADJUSTABLE 3LT T4 METAL HALIDE

MSRA-3
3LT T4 MH

APPLICATION:

Retail and commercial accent and display lighting

MOUNTING:

For use in T-grid or sheet rock ceilings

CONSTRUCTION:

Steel housing and j-box
Twist on/off lens holder for easy relamping
Thermally protected
358° rotation, 75° lockable tilt

LABELING:

UL and CUL listed
Damp location

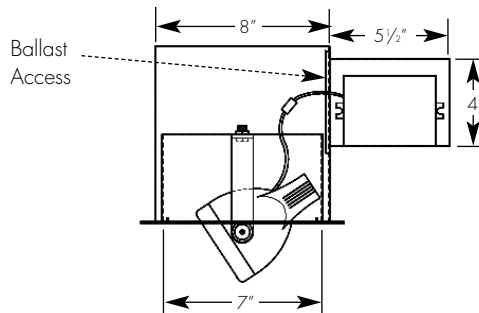
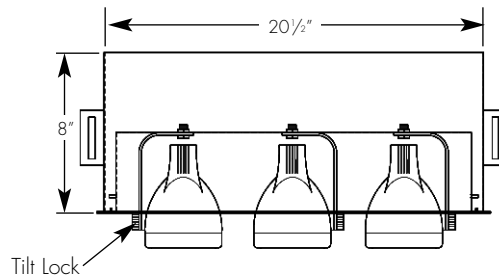
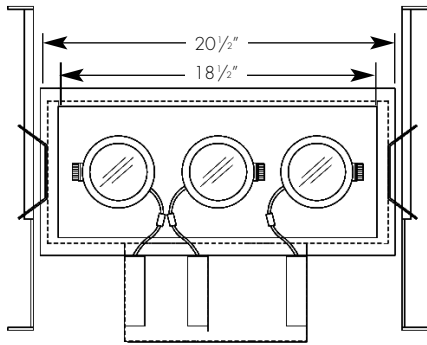
OPTICS:

High performance specular aluminum reflector
Specially designed for T4 metal halide lamps
Available in a variety of beam spreads



PROJECT:

TYPE:



Ceiling cut out dimension: 8 5/8" x 20 5/8"

ELECTRICAL

Ballast	Input volts	3-20w		3-39w		3-70w	
		Input watts	Amps*	Input watts	Amps*	Input watts	Amps*
Electronic	120v	69	.60	132	1.11	237	2.01
	277v	66	.27	138	.51	237	.87

*Data is for open circuit current
T4 G8.5 base metal halide, 20w, 39w and 70w

Amerlux reserves the right to change details that do not affect overall function and performance.



ORDERING INFORMATION:

Model	# Lamps	Wattage	Lamp Type	Ballast	Finish	Voltage	Beam Spreads*			Trim Finish	Options/ Accessories
							Lamp 1	Lamp 2	Lamp 3		
MSRA	3	20	T4	E - electronic	WT - white	120	CL	CL	CL	WT - white	GOLD - ferric gold optic reflector
		39			NF		NF	NF	textured		
		70			FL		FL	FL	DB2690 - DB2690 optic reflector		
					WF		WF	WF	HEX - hexcell louver (1/8" x 1/8")		
				ST - silver			SL	SL		SN - snoot, specify length and finish, 3/4" standard	
				textured							
				[other RAL]							

*CL - spot
NF - narrow flood
FL - flood
WF - wide flood
SL - linear spread lens

Example: MSRA-3-39-T4-E-BT-120-NF-NF-NF-WT

Cat #:

MULTIPLE SEMI-RECESSED ADJUSTABLE 3LT T4 METAL HALIDE

MSRA-3
3LT T4 MH



TYPE :



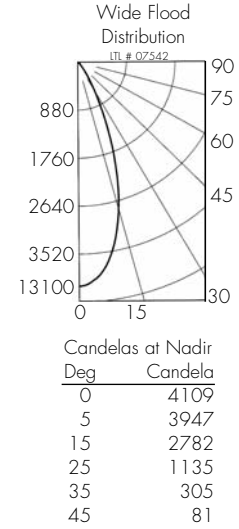
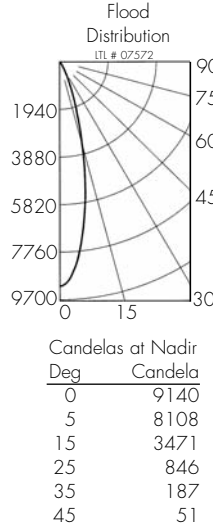
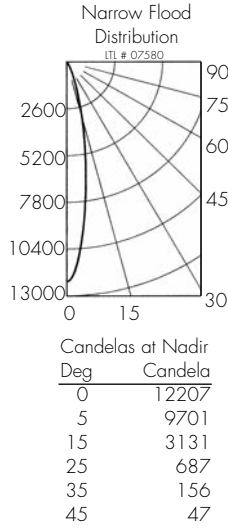
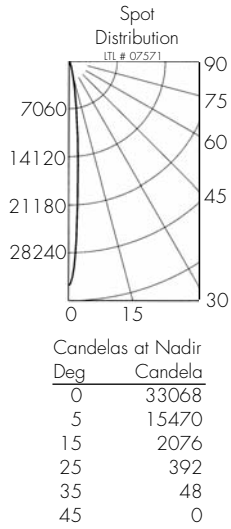
FIXTURE DATA:

Note: Data is for 1 lamp

For 20w data, multiply by .51; For 70w data, multiply by 1.9

Complete photometric data (.ies format) available upon request.

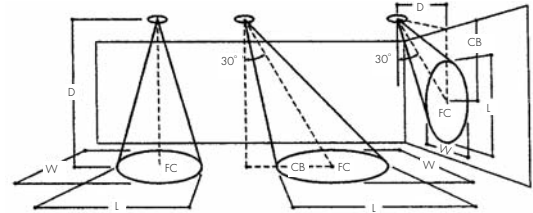
39W T4 MH



APPLICATION DATA:

Notes and Definitions:

Beam spread is to 50% center beam candlepower (CBCP).
 D=Distance to floor or wall.
 FC=Footcandles on floor or wall at center beam aiming location.
 L=Effective Visual Beam length in feet (50% of maximum footcandle level).
 W=Effective Visual Beam width in feet (50% of maximum footcandle level).
 CB=Distance across or down to center beam location.



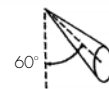
0° Aiming Angle
Horizontal
Footcandles



30° Aiming Angle
Horizontal
Footcandles



30° Aiming Angle
Vertical
Footcandles



60° Aiming Angle
Vertical
Footcandles

	0° Aiming Angle					30° Aiming Angle Horizontal					30° Aiming Angle Vertical					60° Aiming Angle Vertical				
	D	FC	L	W	CB	D	FC	L	W	CB	D	FC	L	W	CB	D	FC	L	W	CB
SPOT	5.0'	1322	1.1	1.1		5.0'	858	1.3	1.2	2.9	3.0'	459	2.1	1.0	4.8	3.0'	2346	0.7	0.6	1.8
	7.5'	587	1.4	1.4		7.5'	382	1.7	1.5	4.3	4.0'	267	2.7	1.4	6.8	4.0'	1337	0.9	0.8	2.2
	10.0'	330	1.7	1.7		10.0'	214	2.2	1.9	5.8	5.0'	173	3.3	1.7	8.3	5.0'	841	1.2	1.0	2.7
	12.5'	211	2.0	2.0		12.5'	137	2.9	2.5	7.2	6.0'	119	4.0	2.0	9.8	6.0'	566	1.4	1.2	3.2
NARROW FLOOD	5.0'	488	1.7	1.7		5.0'	317	2.3	1.9	2.9	3.0'	203	3.3	1.9	4.2	3.0'	868	1.4	1.2	1.7
	7.5'	217	2.6	2.6		7.5'	140	3.4	3.0	4.3	4.0'	114	4.4	2.5	5.8	4.0'	497	1.8	1.6	2.2
	10.0'	122	3.4	3.4		10.0'	79	4.4	3.8	5.8	5.0'	73	5.5	3.2	7.3	5.0'	318	2.2	1.9	2.7
	12.5'	78	4.2	4.2		12.5'	51	5.5	4.8	7.2	6.0'	51	6.6	3.8	8.8	6.0'	221	2.7	2.3	3.2
FLOOD	5.0'	364	2.2	2.2		5.0'	237	2.8	2.5	2.9	3.0'	175	3.5	2.2	4.3	3.0'	652	1.7	1.5	1.7
	7.5'	162	3.2	3.2		7.5'	105	4.2	3.7	4.3	4.0'	99	4.6	2.9	2.3	4.0'	375	2.2	2.0	2.3
	10.0'	91	4.3	4.3		10.0'	61	5.5	4.8	4.7	5.0'	63	5.8	3.7	6.2	5.0'	242	2.7	2.5	2.8
	12.5'	59	5.3	5.3		12.5'	39	6.7	6.0	6.2	6.0'	44	7.2	4.6	7.8	6.0'	139	3.7	3.4	3.3
WIDE FLOOD	5.0'	164	3.2	3.2		5.0'	116	3.8	3.4	1.9	3.0'	108	3.4	2.7	3.2	3.0'	329	2.2	2.0	1.2
	7.5'	73	4.8	4.8		7.5'	53	5.5	5.1	3.3	4.0'	61	4.5	3.6	4.3	4.0'	184	2.9	2.7	1.7
	10.0'	41	6.3	6.3		10.0'	29	7.4	7.0	4.8	5.0'	39	5.7	4.6	5.2	5.0'	118	3.7	3.4	2.3
	12.5'	26	7.9	7.9		12.5'	19	9.1	8.6	5.2	6.0'	27	6.8	5.5	6.3	6.0'	82	4.4	4.1	2.7