

MULTIPLE SEMI-RECESSED ADJUSTABLE 3LT PAR20 METAL HALIDE

MSRA-3
3LT PAR20MH

APPLICATION:

Retail and commercial accent and display lighting

MOUNTING:

For use in T-grid or sheet rock ceilings

CONSTRUCTION:

Steel housing and j-box
Twist on/off lens holder for easy relamping
Thermally protected
358° rotation, 75° lockable tilt

LABELING:

UL and CUL listed
Damp location

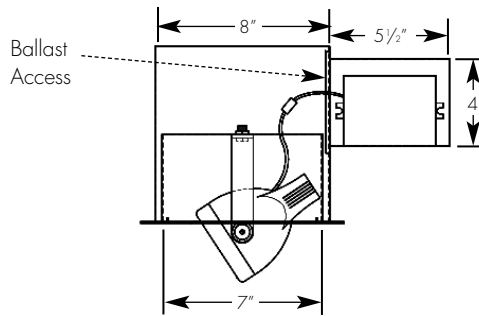
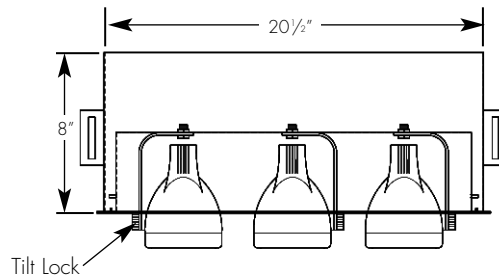
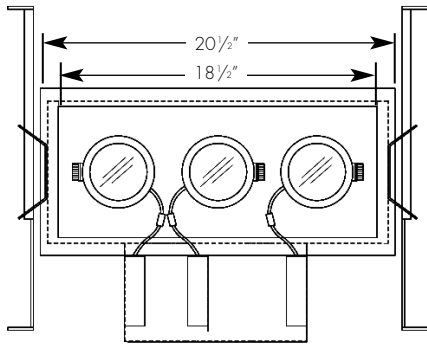
OPTICS:

PAR20 metal halide 20w or 39w



PROJECT :

TYPE :



Ceiling cut out dimension: 8 5/8" x 20 5/8"

ELECTRICAL

Ballast	Input volts	Lamping		Input volts	Amps*
		3-20w	3-39w		
Electronic	120v	69	.60	132	1.11
	277v	66	.27	138	.51

*Data is for open circuit current

T4 G8.5 base metal halide, 20w, 39w and 70w

Amerlux reserves the right to change details that do not affect overall function and performance.



ORDERING INFORMATION:

Model	# Lamps	Wattage	Lamp Type	Ballast	Finish	Voltage	Trim Finish	Options/Accessories
MSRA	3	20 39	PAR20MH	E - electronic	WT - white textured BT - black textured ST - silver textured - [other RAL]	120 277	WT - white textured	HEX - hexcell louver (1/8" x 1/8") SN - snoot, specify length and finish, 3/4" standard

Example: MSRA-3-39-PAR20MH-E-BT-120-WT

Cat #:

MULTIPLE SEMI-RECESSED ADJUSTABLE 3LT PAR20 METAL HALIDE

MSRA-3
3LT PAR20MH



TYPE :



FIXTURE DATA: Note: Data is for 1 lamp

PAR20MH



CDM20/PAR20/M/SP 8°
7,500 hrs. Rated Life - 13,000 CBCP

0°				30°				45°				60°			
D	FC	L	W	D	FC	L	W	D	FC	L	W	D	FC	L	W
4.0'	1195	1	1	3.0'	250	2	1	3.0'	565	1	1	3.0'	1321	1	1
8.0'	299	1	1	4.0'	144	2	1	4.0'	348	1	1	4.0'	722	1	1
12.0'	133	2	2	6.0'	65	3	2	6.0'	167	2	1	6.0'	285	1	1
16.0'	75	2	2	8.0'	37	4	2	8.0'	97	2	2	8.0'	172	2	1

CDM20/PAR20/M/FL 25°															
D	FC	L	W	D	FC	L	W	D	FC	L	W	D	FC	L	W
4.0'	177	2	2	3.0'	57	4	3	3.0'	118	3	2	3.0'	196	2	2
8.0'	44	4	4	4.0'	34	5	3	4.0'	71	3	3	4.0'	109	3	3
12.0'	20	6	6	6.0'	16	7	5	6.0'	31	5	4	6.0'	49	4	4
16.0'	11	9	9	8.0'	9	9	7	8.0'	18	7	6	8.0'	28	5	5

Data shown: GE Lighting

FC - approximate footcandles at center.

PAR20MH



CDM35/PAR20/M/SP 10°
9000 hrs. Rated Life - 23,000 MBCP

CDM35/PAR20/M/SP 10°															
D	FC	L	W	D	FC	L	W	D	FC	L	W	D	FC	L	W
4.0'	1750	1	1	3.0'	389	2	1	3.0'	1100	1	1	3.0'	2021	1	1
8.0'	438	1	1	4.0'	219	3	1	4.0'	619	1	1	4.0'	1137	1	1
12.0'	194	2	2	6.0'	97	4	2	6.0'	275	2	1	6.0'	505	1	1
16.0'	109	3	3	8.0'	55	6	3	8.0'	155	3	2	8.0'	284	2	2

CDM35/PAR20/M/FL 30°															
D	FC	L	W	D	FC	L	W	D	FC	L	W	D	FC	L	W
4.0'	375	2	2	3.0'	83	8	3	3.0'	236	3	2	3.0'	433	2	2
8.0'	94	4	4	4.0'	47	11	4	4.0'	133	5	3	4.0'	244	3	2
12.0'	42	6	6	6.0'	21	16	6	6.0'	59	7	5	6.0'	108	4	4
16.0'	23	9	9	8.0'	12	22	9	8.0'	33	9	6	8.0'	61	6	5

Data shown: Philips Lighting

FC - approximate footcandles at center.