

CYLINDRIX MULTIPLE RECESSED 2 LIGHT

CYLR-2
2LT CDM-Tm

APPLICATION:

Accent and display lighting for Retail, Commercial and Hospitality environments

CONSTRUCTION:

Stamped steel mounting frame with integral mounting bars
Thermally protected
Steel ballast housing
Electronic ballast
Steel upper housing and laser cut trim ring
Die-cast lamp housing
Formed aluminum yoke
PGJ5 pulse rated socket
Powder coat paint

OPTICS:

0-30° x 45° tilt, 360°+ rotation
Available in a variety of beam spreads featuring Amerlux optics specifically designed for the CDM-Tm Mini MasterColor® lamp
Available in custom tints to tune beam to provide incandescent-like hue

MOUNTING:

For use in T-grid or sheet rock ceilings

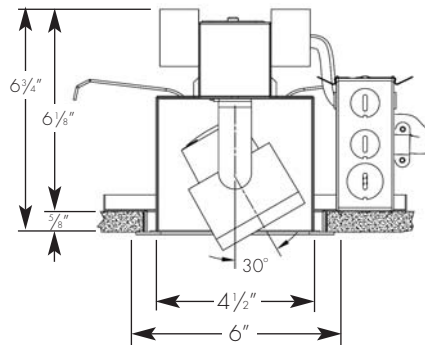
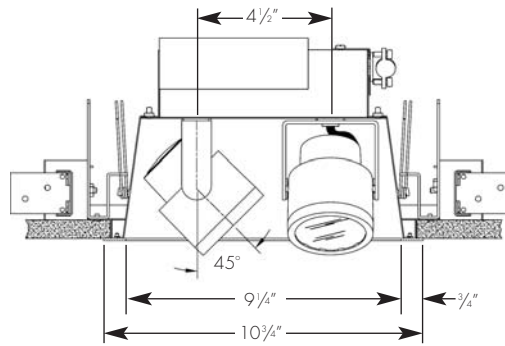
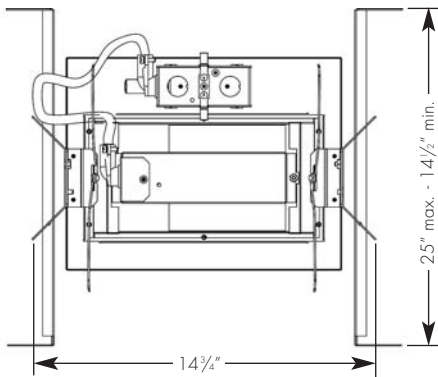
LABELING:

cUL listed
Damp location



PROJECT :

TYPE :



Ceiling Cut Out Dimension: 5 5/16" x 10 5/16"

ELECTRICAL

| Ballast | Input volts | Lamping | | Input volts | Amps* |
|------------|----------------|---------|-------|----------------|-------|
| | | 2-20w | 2-39w | | |
| Electronic | 120v | 52 | .46 | 90 | .80 |
| | 277V | 52 | .24 | 90 | .40 |

*Data is for open circuit current

2 CDM-Tm PGJ5 base metal halide, 20w and 39w

Amerlux reserves the right to change details that do not affect overall function and performance.

ECOTECHURAL

Architectural lighting for sustainable design.



ADAPT. ABILITY.™

ORDERING INFORMATION:

| Model | # Lamps | Wattage | Lamp Type | Ballast | Housing/ Head Finish | Voltage | Beam Spreads* Lamp 1 Lamp 2 | Trim Ring Finish | Options/ Accessories |
|-------|---------|----------|-------------------------------------|----------------|--|------------|---|--|--|
| CYLR | 2 | 20 39 | MM - CDM-Tm Mini MasterColor® | E - electronic | WT - white texture BT - black texture ST - silver texture - (other RAL) | 120 277 | CL CL NF NF FL FL FL-UBP FL-UBP WF WF SL SL | WT - white texture | GOLD - ferric gold optic reflector DB2690 - DB2690 optic reflector HEX - hexcell louver SN - snoot (1/2" length standard), specify color (WT, BT, ST) CB - cross blade, specify color (BT), black texture standard |
| | | | | | | | *CL - spot, 12° NF - narrow flood, 18° FL - flood, 25° FL-UBP - flood ultra brite polished, 25° WF - wide flood, 40° SL - linear spread lens, 5° x 55° | Note: Cross Blade requires snoot be specified | |

Example: CYLR-2-20-MM-E-WT-120-CL-FL-WT-SUN

Cat #:

CYLINDRIX MULTIPLE RECESSED 2 LIGHT

CYLR-2
2LT CDM-Tm



TYPE :

ECOTECTORAL
Architectural lighting for sustainable design.



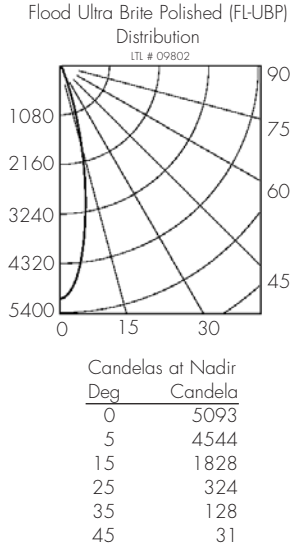
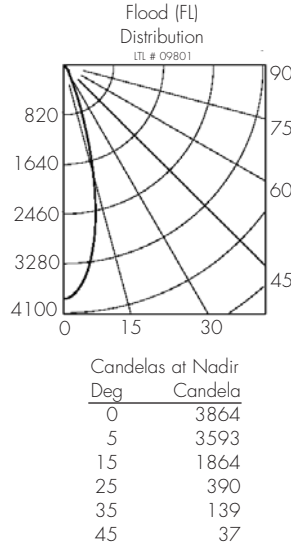
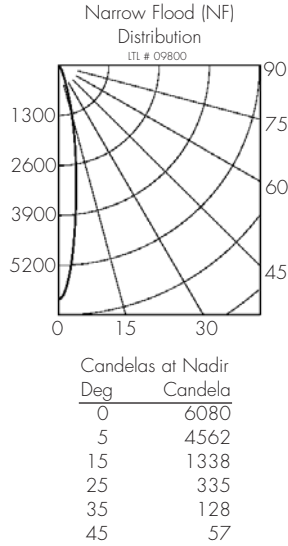
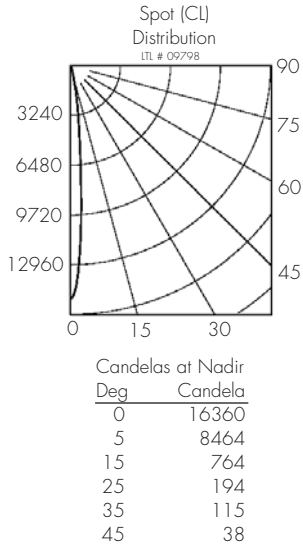
FIXTURE DATA:

Test run with standard clear reflector. For gold, multiply by 0.9
For 39w data, multiply by 1.8

Complete photometric data (.ies format) available upon request.

Note: Data is for 1 lamp

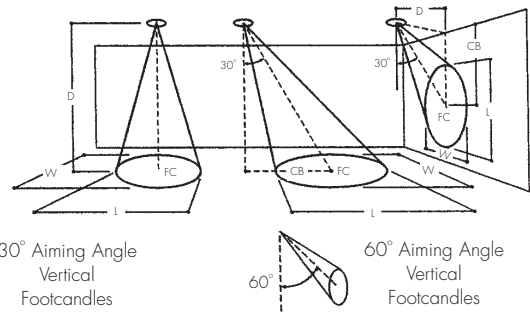
20W CDM-Tm MH



APPLICATION DATA:

Notes and Definitions:

Beam spread is to 50% center beam candlepower (CBCP).
D=Distance to floor or wall.
L=Effective Visual Beam length in feet (50% of maximum footcandle level).
W=Effective Visual Beam width in feet (50% of maximum footcandle level).
CB=Distance across or down to center beam location.



0° Aiming Angle
Horizontal
Footcandles



30° Aiming Angle
Horizontal
Footcandles



30° Aiming Angle
Vertical
Footcandles



60° Aiming Angle
Vertical
Footcandles

| | 0° Aiming Angle Horizontal Footcandles | | | | 30° Aiming Angle Horizontal Footcandles | | | | | 30° Aiming Angle Vertical Footcandles | | | | | 60° Aiming Angle Vertical Footcandles | | | | |
|--------------|--|-----|-----|-----|---|-----|-----|-----|-----|---------------------------------------|-----|-----|-----|-----|---------------------------------------|------|-----|-----|-----|
| | D | FC | L | W | D | FC | L | W | CB | D | FC | L | W | CB | D | FC | L | W | CB |
| SPOT | 5.0' | 654 | 1.1 | 1.1 | 5.0' | 401 | 1.3 | 1.2 | 3.0 | 3.0' | 240 | 2.1 | 1.0 | 4.8 | 3.0' | 1163 | 0.7 | 0.6 | 1.7 |
| | 7.5' | 291 | 1.4 | 1.4 | 7.5' | 181 | 2.0 | 1.5 | 4.0 | 4.0' | 133 | 2.8 | 1.5 | 6.2 | 4.0' | 665 | 1.0 | 0.8 | 2.2 |
| | 10.0' | 164 | 1.8 | 1.8 | 10.0' | 100 | 2.6 | 2.1 | 6.0 | 5.0' | 87 | 3.4 | 1.8 | 8.3 | 5.0' | 422 | 1.3 | 1.0 | 2.7 |
| | 12.5' | 105 | 2.4 | 2.4 | 12.5' | 68 | 3.1 | 2.8 | 7.0 | 6.0' | 61 | 4.1 | 2.1 | 9.8 | 6.0' | 288 | 1.5 | 1.3 | 3.3 |
| NARROW FLOOD | 5.0' | 243 | 1.5 | 1.5 | 5.0' | 148 | 2.2 | 1.7 | 3.0 | 3.0' | 96 | 3.2 | 1.8 | 4.7 | 3.0' | 432 | 1.2 | 1.1 | 1.7 |
| | 7.5' | 108 | 2.3 | 2.3 | 7.5' | 70 | 3.1 | 2.7 | 4.0 | 4.0' | 54 | 4.3 | 2.3 | 6.3 | 4.0' | 247 | 1.6 | 1.4 | 2.3 |
| | 10.0' | 61 | 3.1 | 3.1 | 10.0' | 37 | 4.3 | 3.6 | 5.0 | 5.0' | 35 | 5.3 | 2.9 | 7.7 | 5.0' | 158 | 2.0 | 1.8 | 2.8 |
| | 12.5' | 39 | 3.7 | 3.7 | 12.5' | 25 | 5.0 | 4.4 | 7.0 | 6.0' | 24 | 6.4 | 3.5 | 9.2 | 6.0' | 109 | 2.4 | 2.1 | 3.3 |
| FLOOD | 5.0' | 155 | 2.5 | 2.5 | 5.0' | 102 | 3.1 | 2.8 | 2.0 | 3.0' | 84 | 3.3 | 2.4 | 3.7 | 3.0' | 289 | 1.9 | 1.7 | 1.3 |
| | 7.5' | 69 | 3.7 | 3.7 | 7.5' | 47 | 4.6 | 4.2 | 4.0 | 4.0' | 48 | 4.3 | 3.1 | 4.8 | 4.0' | 165 | 2.4 | 2.2 | 1.8 |
| | 10.0' | 39 | 5.0 | 5.0 | 10.0' | 27 | 6.0 | 5.5 | 5.0 | 5.0' | 30 | 5.5 | 3.9 | 5.7 | 5.0' | 106 | 3.0 | 2.8 | 2.3 |
| | 12.5' | 25 | 6.2 | 6.2 | 12.5' | 17 | 7.5 | 6.5 | 6.0 | 6.0' | 21 | 6.8 | 4.9 | 7.2 | 6.0' | 74 | 3.6 | 3.3 | 2.8 |
| FLOOD UB | 5.0' | 202 | 2.1 | 2.1 | 5.0' | 127 | 2.8 | 2.5 | 3.0 | 3.0' | 98 | 3.3 | 2.2 | 3.8 | 3.0' | 364 | 1.7 | 1.5 | 1.8 |
| | 7.5' | 90 | 3.2 | 3.2 | 7.5' | 61 | 3.9 | 3.6 | 4.0 | 4.0' | 55 | 4.4 | 2.8 | 5.3 | 4.0' | 209 | 2.1 | 1.9 | 2.2 |
| | 10.0' | 51 | 4.2 | 4.2 | 10.0' | 34 | 5.3 | 4.7 | 5.0 | 5.0' | 35 | 5.5 | 3.4 | 6.7 | 5.0' | 135 | 2.7 | 2.4 | 2.7 |
| | 12.5' | 33 | 5.2 | 5.2 | 12.5' | 22 | 6.6 | 5.9 | 6.0 | 6.0' | 25 | 6.6 | 4.2 | 7.7 | 6.0' | 94 | 3.2 | 2.9 | 3.2 |