

CYLINDRIX MULTIPLE RECESSED 2 LIGHT

CYLR-2
2LT CMHMR16

APPLICATION:

Accent and display lighting for Retail, Commercial and Hospitality environments

CONSTRUCTION:

Stamped steel mounting frame with integral mounting bars
Thermally protected
Steel ballast housing
Electronic ballast
Steel upper housing and laser cut trim ring
Die-cast lamp housing
Formed aluminum yoke
GX10 TAL pulse rated socket
Powder coat paint

OPTICS:

0-30° x 45° tilt, 360°+ rotation
CMHMR16, GX10 base, 20w

MOUNTING:

For use in T-grid or sheet rock ceilings

LABELING:

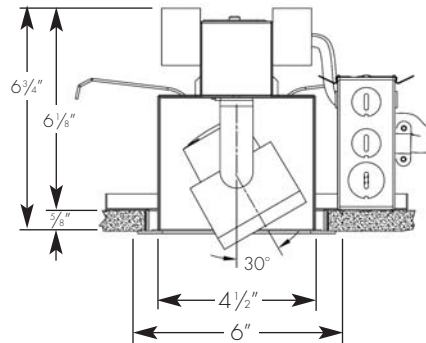
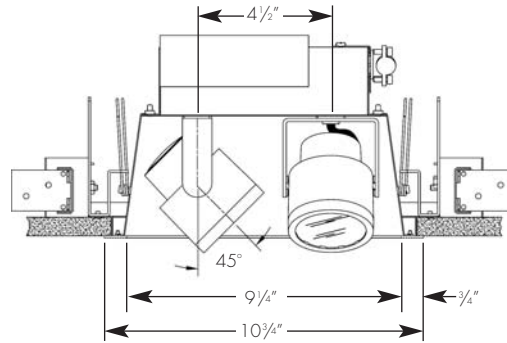
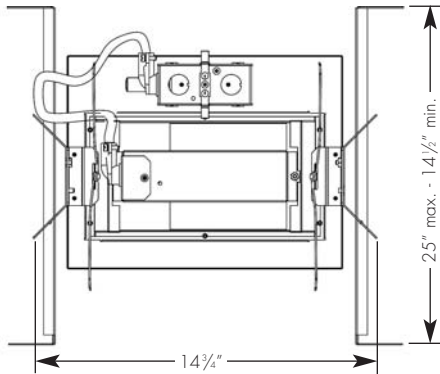
cUL listed
Damp location



PROJECT:

TYPE:

ECOTECHURAL
Architectural lighting for sustainable design.



Ceiling Cut Out Dimension: 5 1/16" x 10 1/16"

ELECTRICAL

Ballast	120v	Lamping 2-20w		2-39w	
		Input watts	Amps*	Input watts	Amps*
Electronic	277V	48	.40	90	.80
		44	.16	88	.32

*Data is for open circuit current
2 CMHMR16, GX10 base, 20w and 39w

Amerlux reserves the right to change details that do not affect overall function and performance.

ORDERING INFORMATION:

Model	# Lamps	Wattage	Lamp Type	Ballast	Housing/Head Finish	Voltage	Trim Ring Finish	Options/Accessories
CYLR	2	20 39	CMHMR16	E - electronic	WT - white texture BT - black texture ST - silver texture - (other RAL)	120 277	WT - white texture	HEX - hexcell louver SN - snoot (1/2" length standard), specify color (WT, BT, ST) CB - cross blade, specify color (BT), black texture standard Note: Cross Blade requires snoot be specified

Example: CYLR-2-20-CMHMR16-E-WT-120-WT

Cat #:

CYLINDRIX MULTIPLE RECESSED 2 LIGHT

CYLR-2
2LT CMHMR16



TYPE :

ecotECTURAL
Architectural lighting for sustainable design.



FIXTURE DATA:

GE CMH PRECISE MR16

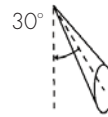


CMH20MR16/830/SP 12°
12,000 Rated Life - 9,000 CBCP

CMH20MR16/830/FL 25°
12,000 Rated Life - 2,900 CBCP

CMH39MR16/930/SP 12°
10,000 Rated Life - 16,000 CBCP

CMH39MR16/930/FL 25°
10,000 Rated Life - 5,500 CBCP



D	FC	L	W
4.0'	604	1.1	1.1
8.0'	151	1.6	1.6
12.0'	67	2.6	2.6
16.0'	38	3.4	3.4

D	FC	L	W
3.0'	144	2.3	1.3
4.0'	80	3.1	1.6
6.0'	36	4.6	2.4
8.0'	20	6.0	3.3

D	FC	L	W
4.0'	187	1.7	1.7
8.0'	47	3.6	3.6
12.0'	21	5.4	5.4
16.0'	12	7.1	7.1

D	FC	L	W
3.0'	61	3.4	2.3
4.0'	34	4.5	3.0
6.0'	15	6.7	4.5
8.0'	9	9.0	5.9

D	FC	L	W
4.0'	1000	1.1	1.1
8.0'	250	1.7	1.7
12.0'	111	2.7	2.7
16.0'	63	3.5	3.5

D	FC	L	W
3.0'	238	2.5	1.3
4.0'	133	3.4	1.8
6.0'	60	5.1	2.6
8.0'	33	6.9	3.6

D	FC	L	W
4.0'	344	1.8	1.8
8.0'	86	3.8	3.8
12.0'	38	5.7	5.7
16.0'	22	7.6	7.6

D	FC	L	W
3.0'	122	3.3	2.3
4.0'	69	4.3	3.0
6.0'	31	6.5	4.4
8.0'	17	8.7	6.0

FC - approximate footcandles at center.